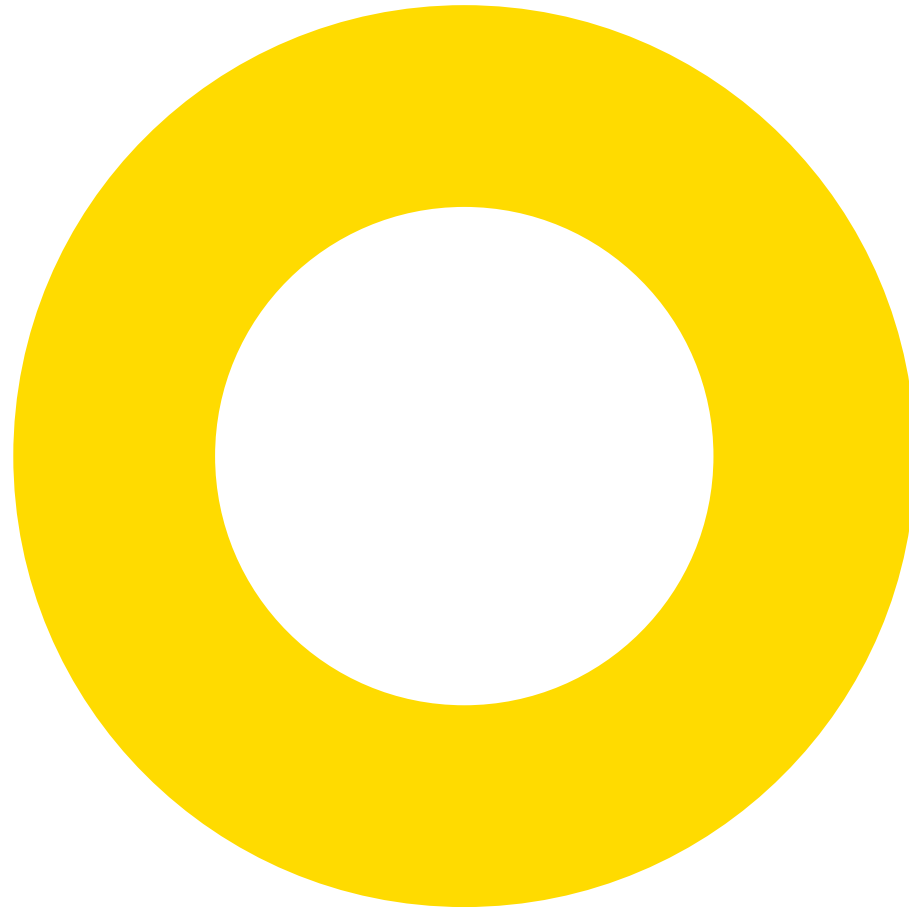


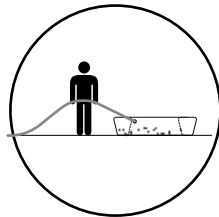
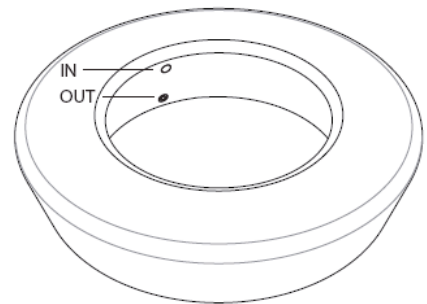
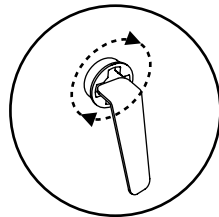
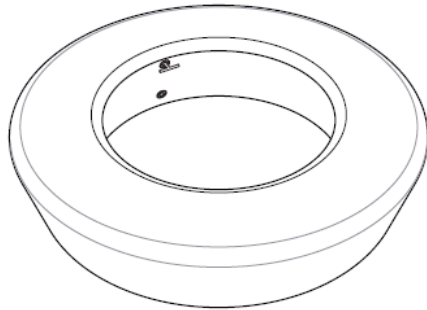
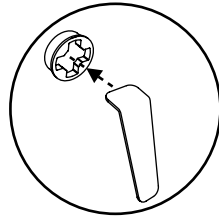
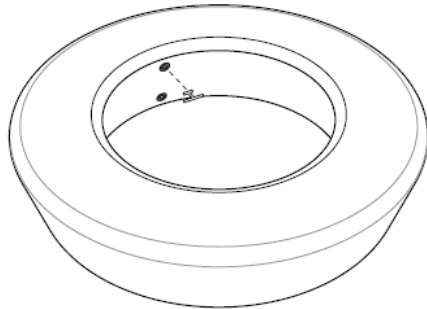
**LOOP
#135**

**MOUNTING
INSTRUCTION**

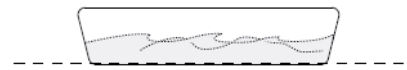




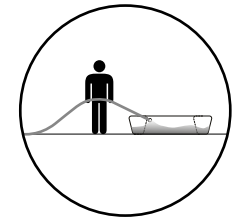
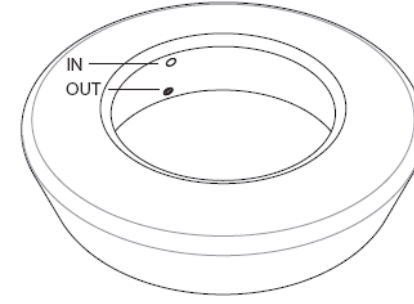
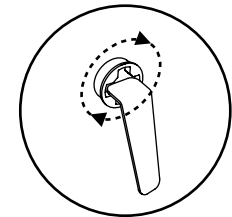
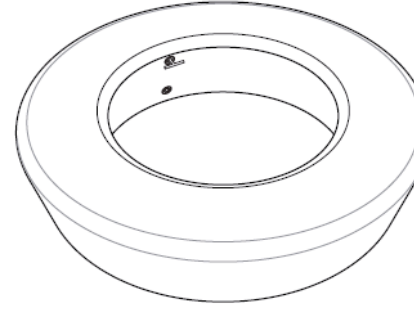
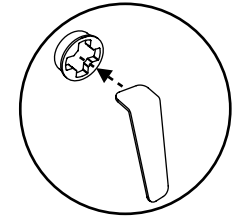
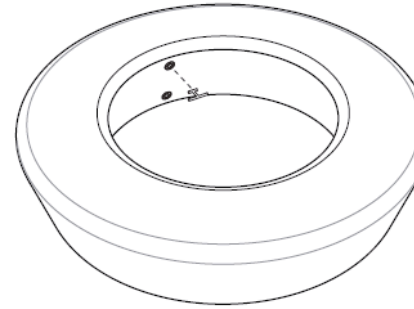
FILLED WITH SAND



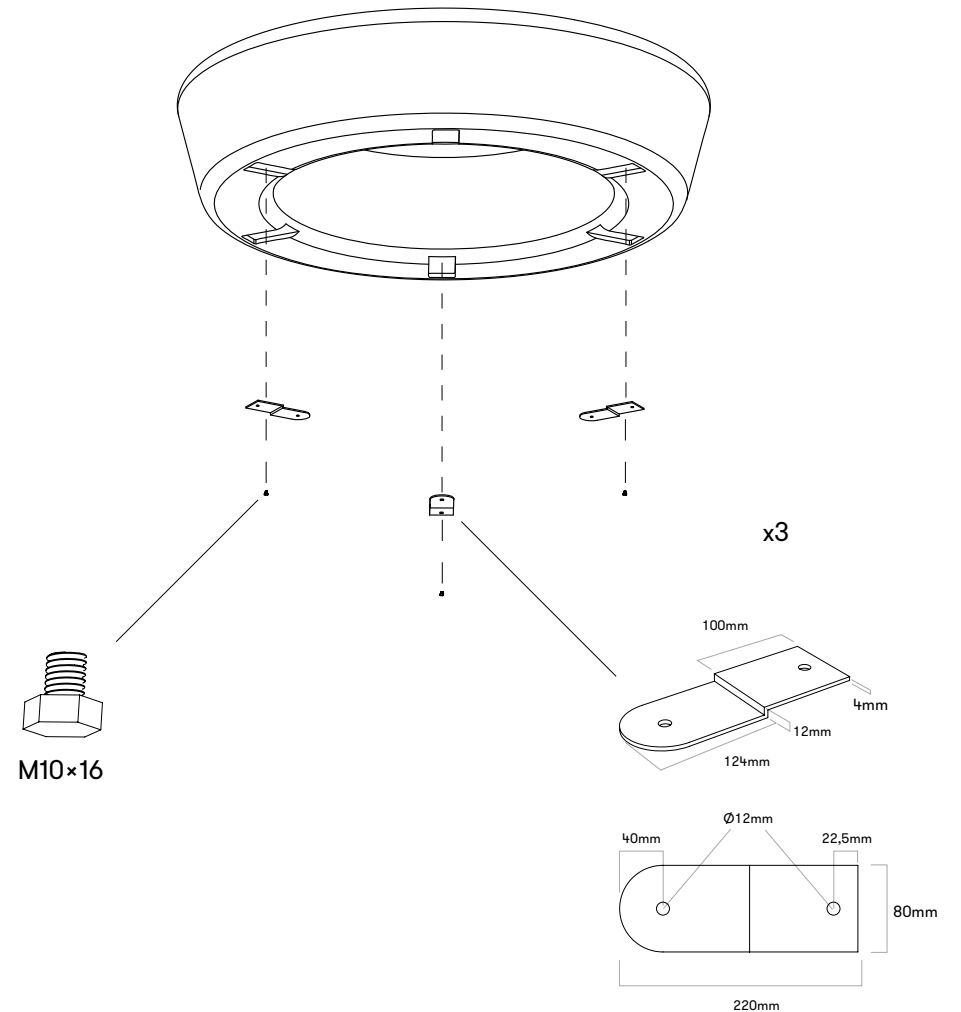
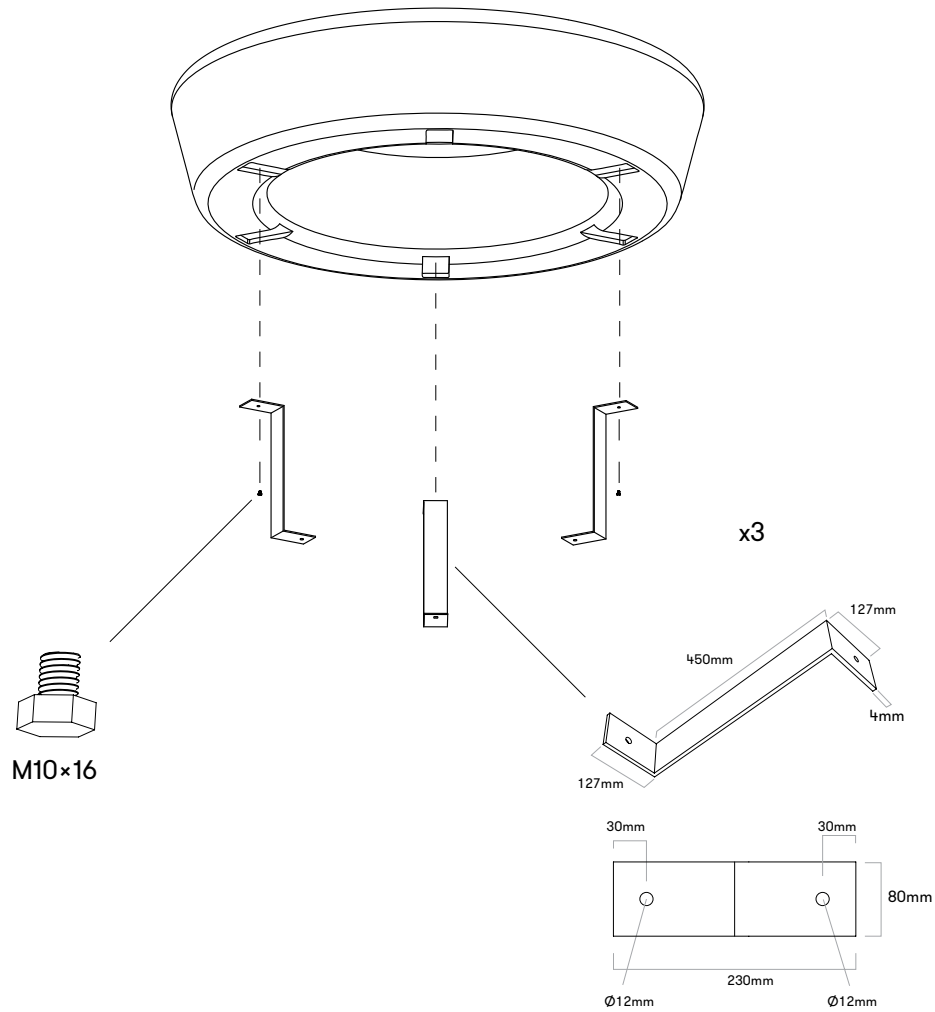
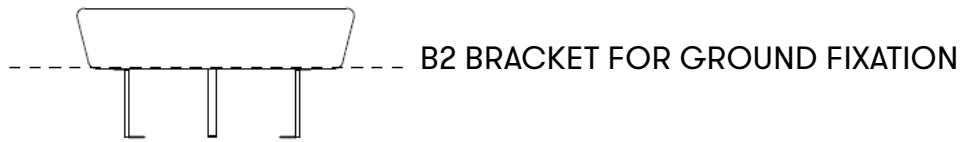
LOOP [37 kg]
+ 250 kg sand
~ 287 kg

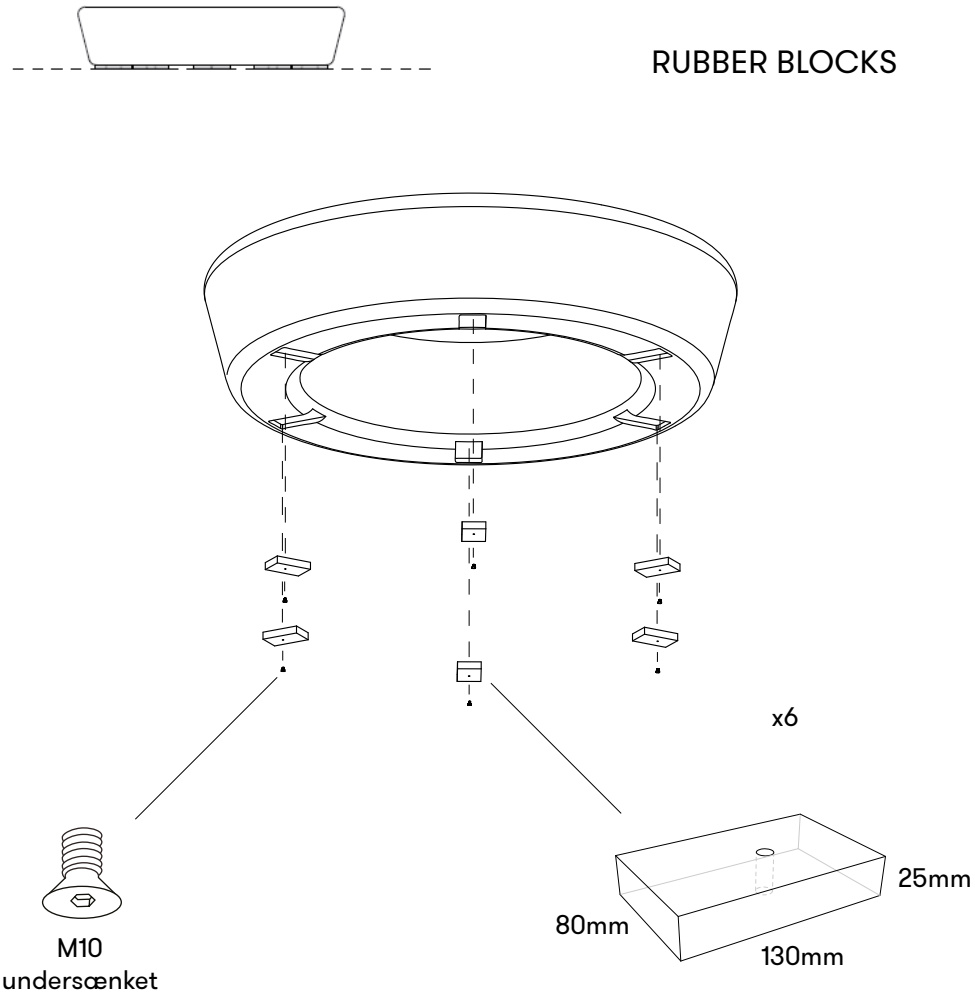


FILLED WITH WATER



LOOP [37 kg]
+ 250 litres water
~ 287 kg





CLEANING INSTRUCTIONS

The material polyethylene withstands almost all detergents. Polyethylene requires no maintenance. The dyed polyethylene preserves the colour - minimal fading by the sun is to be expected.

Pressure washers can be used with advantage to clean the product. This service is often offered by companies that remove graffiti.

After cleaning, use vinyl polish (same as used for car interiors) to make the product shine.

SLIP RESISTANT SURFACES

The products have a textured/granulated surface due to abrasive blasting of the mold.

This process increases friction, resulting in a less slippery surface.