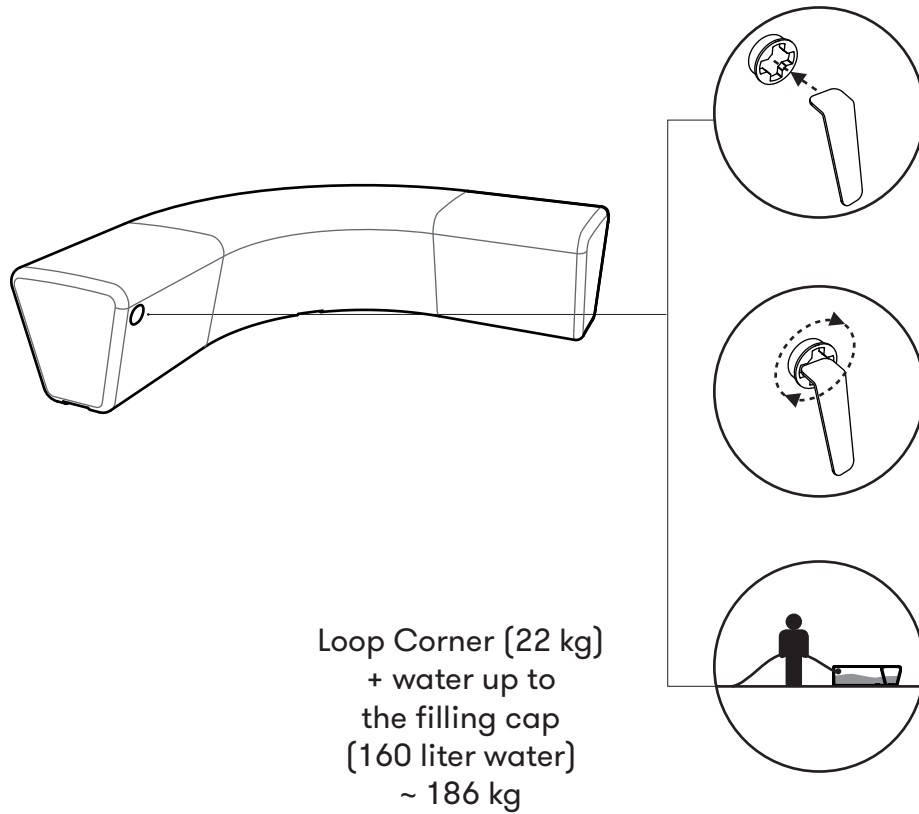


MOUNTING INSTRUCTION

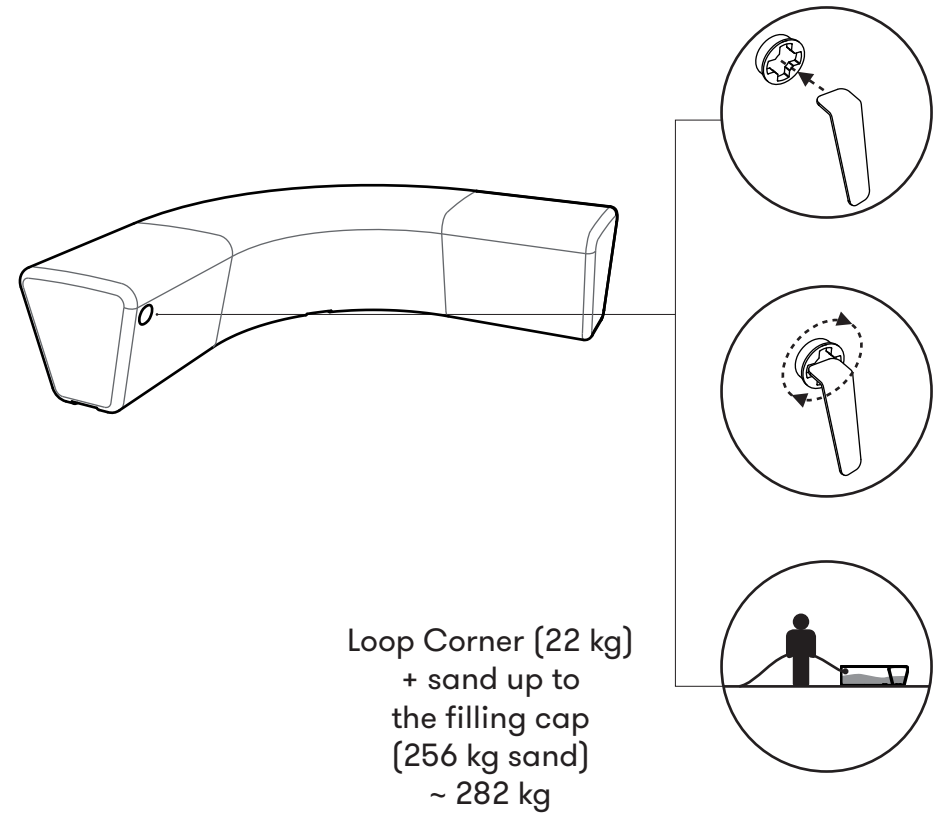
**LOOP CORNER
#171**



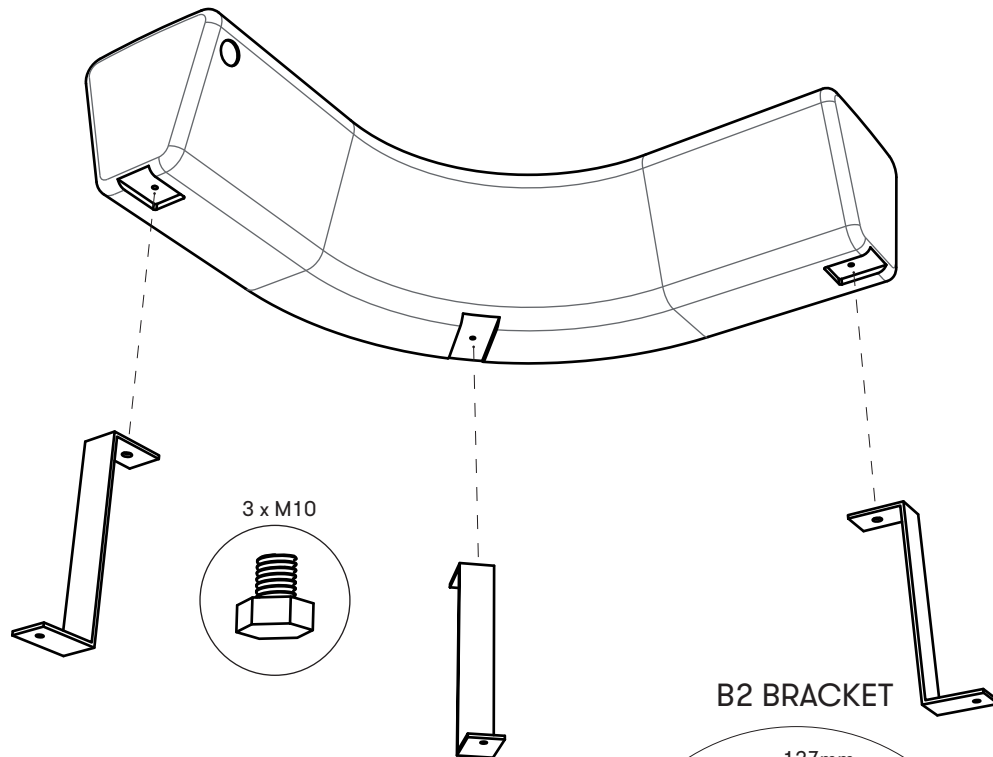
FILLED WITH WATER



FILLED WITH SAND



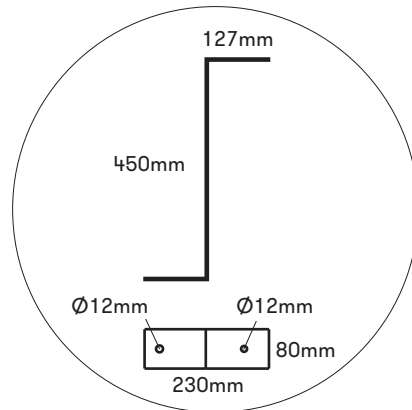
B2 BRACKET FOR SUBTERRANEAN MOUNTING



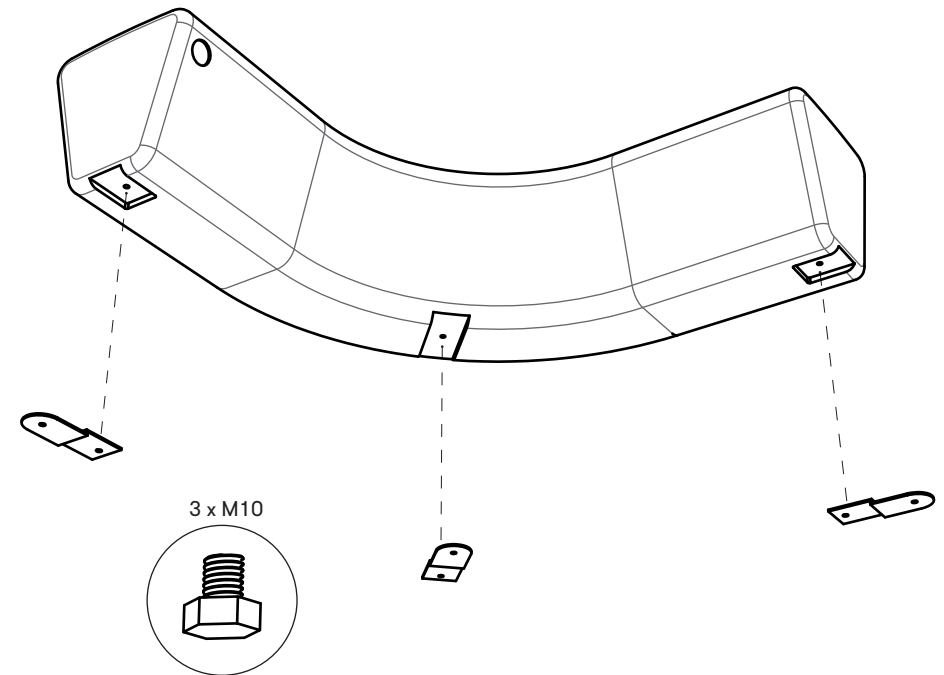
B2 BRACKET

Each bracket is mounted to the bottom of Loop Corner with supplied M10x12 bolts.

Estimate the required number of brackets (1-2) according to local conditions.



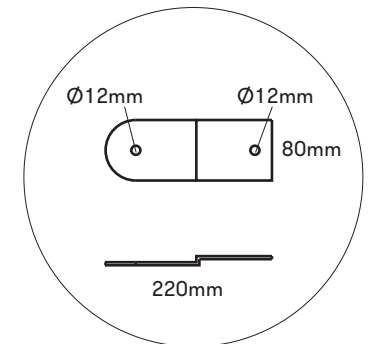
B3 BRACKET FOR SURFACE MOUNTING



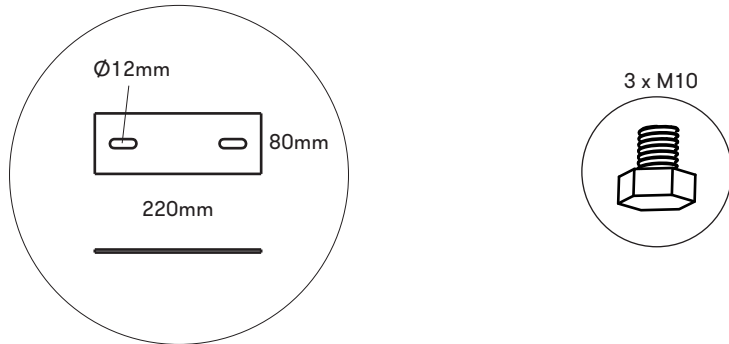
B3 BRACKET

Each bracket is mounted to the bottom of Loop Corner with supplied M10x12 bolts.

Estimate the required number of brackets (1-2) according to local conditions.

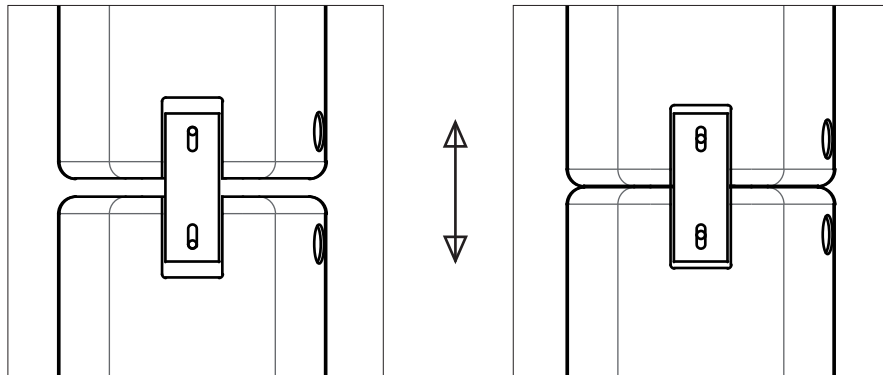


B4 ASSEMBLY BRACKET

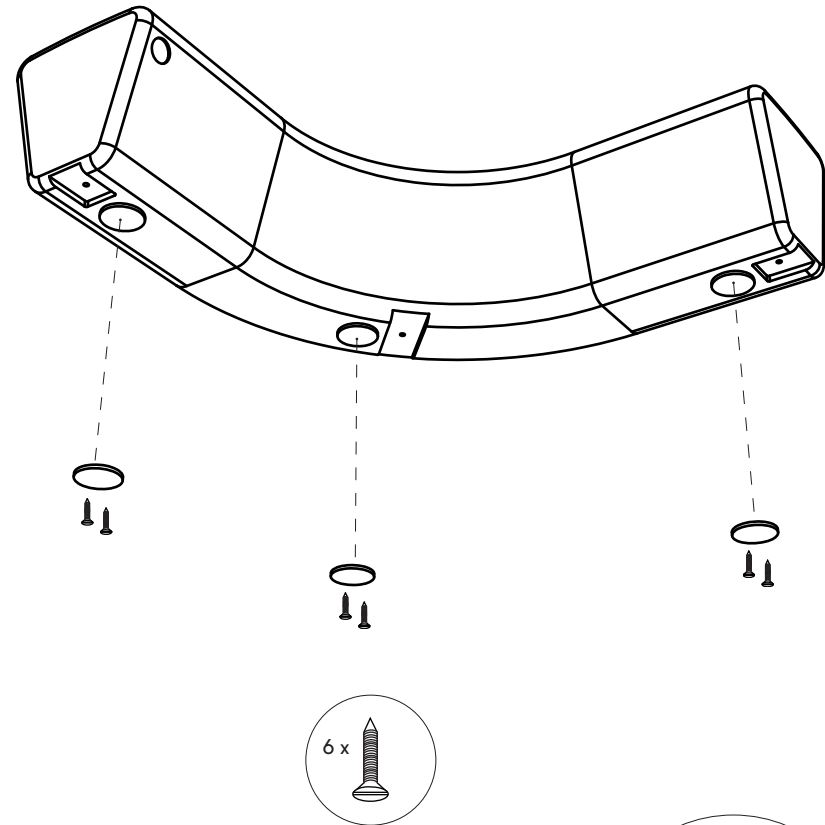


The modules are assembled with adjustable (0-50mm) assembly bracket (B4) at each end of Loop Corner.

The bracket is mounted on the bottom of each Loop Corner with the provided M10x12 bolts.

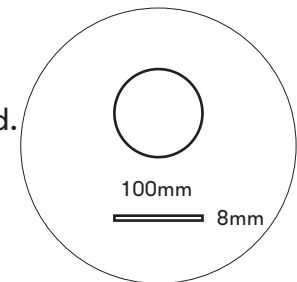


RUBBER FEET



Each rubber foot is mounted with two screws - in total 3 rubber feet are mounted.

NOTE! If Loop Corner is filled with water rubber feet are NOT to be mounted with screws but simply placed loosely under Loop Corner.



CLEANING INSTRUCTION

The material polyethylene withstands almost all detergents.

Polyethylene requires no maintenance.

The dyed polyethylene preserves the colour - minimal fading by the sun is to be expected.

Pressure washers can be used with advantage to clean the product. This service is often offered by companies that remove graffiti.

After cleaning, use vinyl polish (same as used for car interior) to make the product shine.

SLIP RESISTANT SURFACES

The products have a textured/granulated surface due to abrasive blasting of the mold.

This process increases the friction, resulting in a less slippery surface.