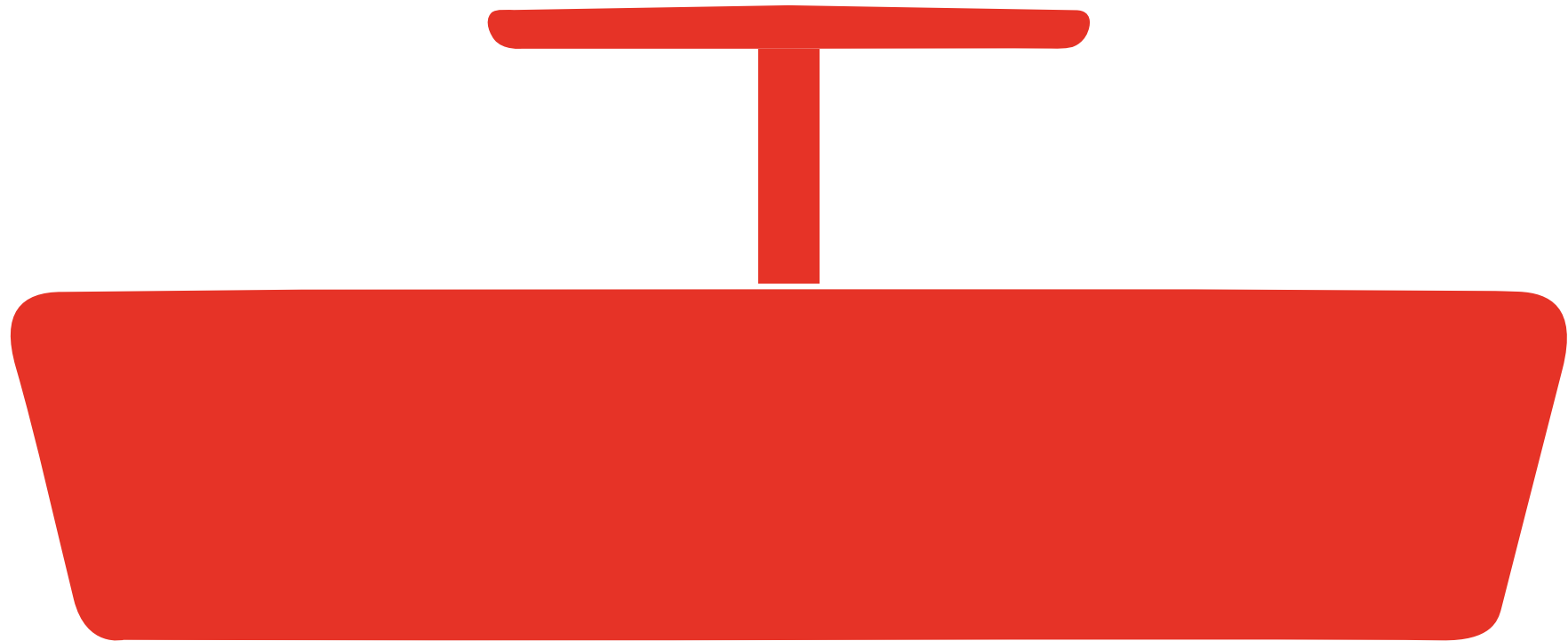
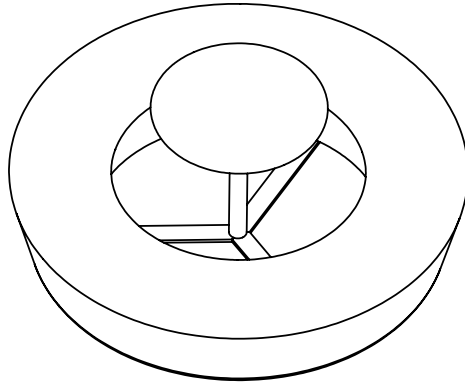


**LOOP TABLE
#181**

MOUNTING
INSTRUCTION

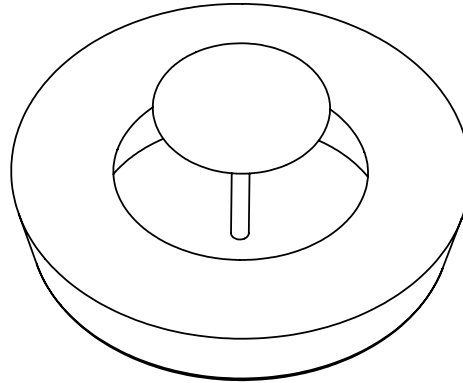




FREE-STANDING VERSION
p. 03

Bench and table integrated.

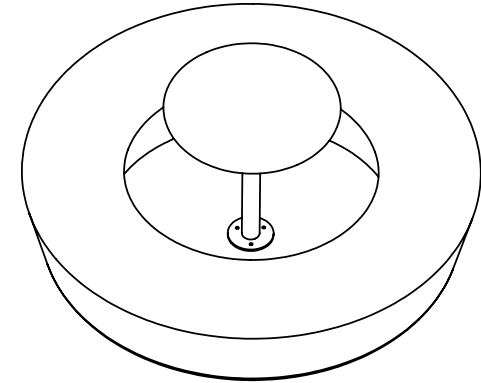
Free-standing, non-mounting option. Anti-theft possible by filling bench w. sand / water, or by surface mounting.



IN-GROUND VERSION
p. 06

Bench and table are separate units.

Table is mounted in-ground.



SURFACE W. FLANGE VERSION
p. 09

Bench and table are separate units.

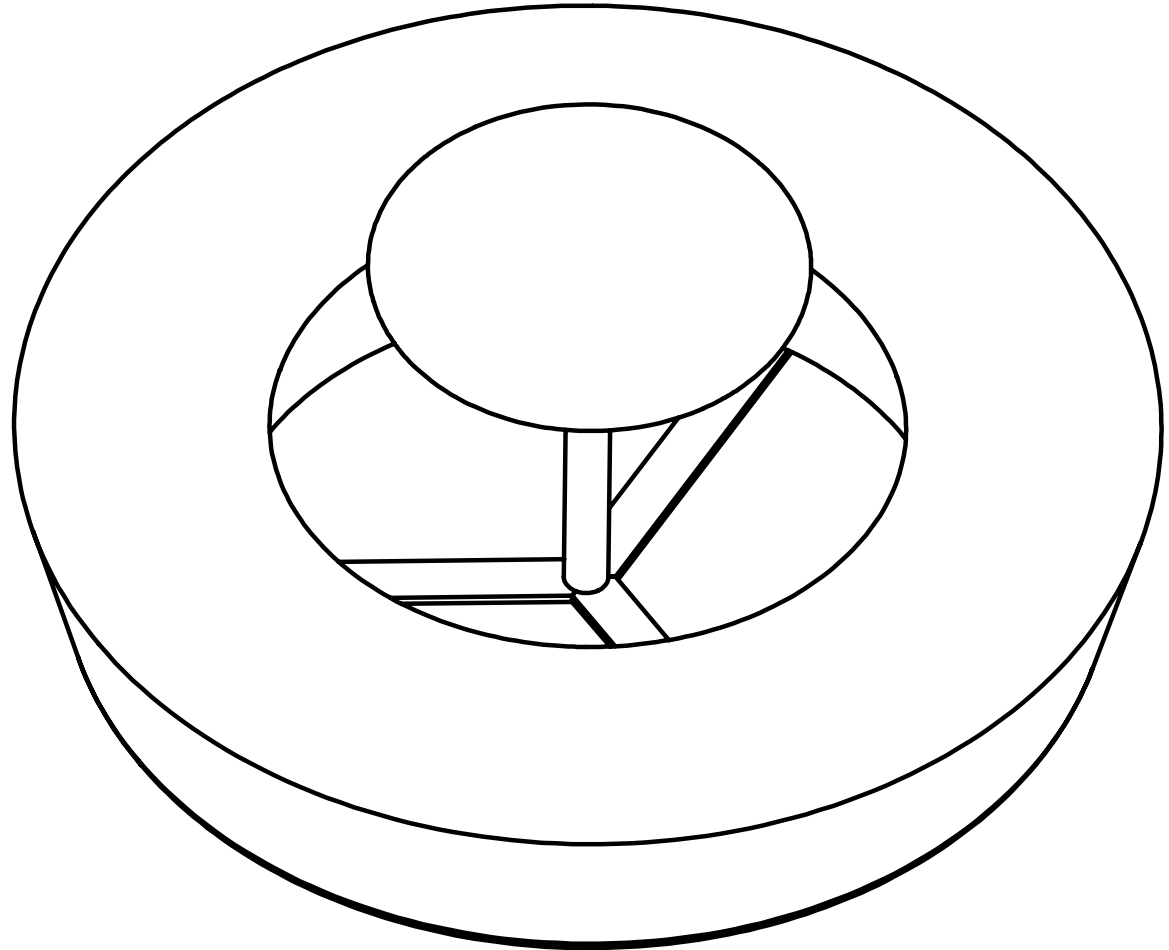
Table for surface mounting w. bolts.

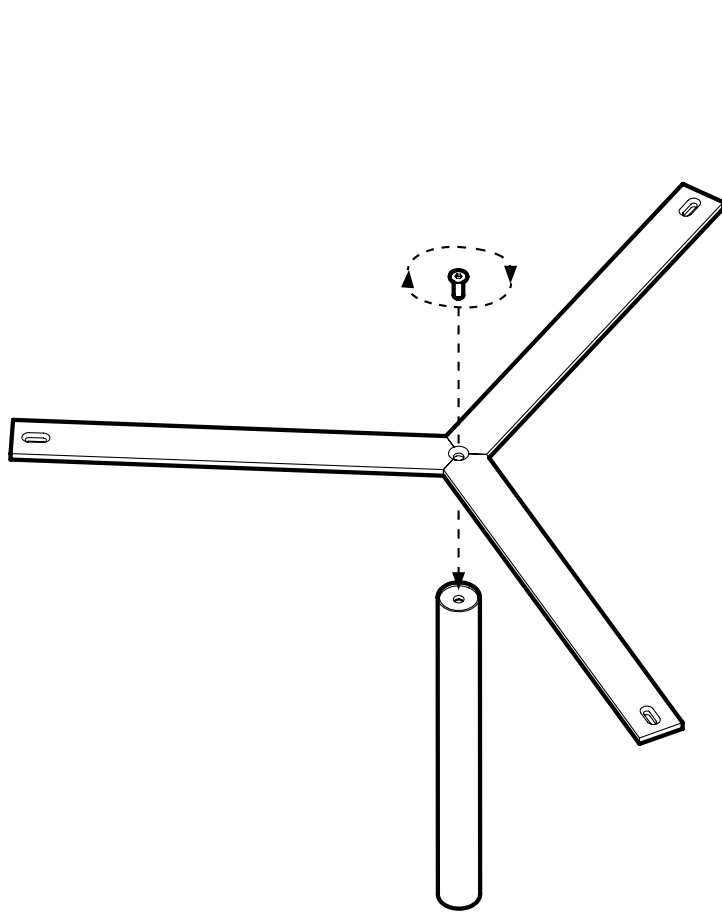
MOUNTING LOOP TABLE - FREE-STANDING VERSION

Parts included:

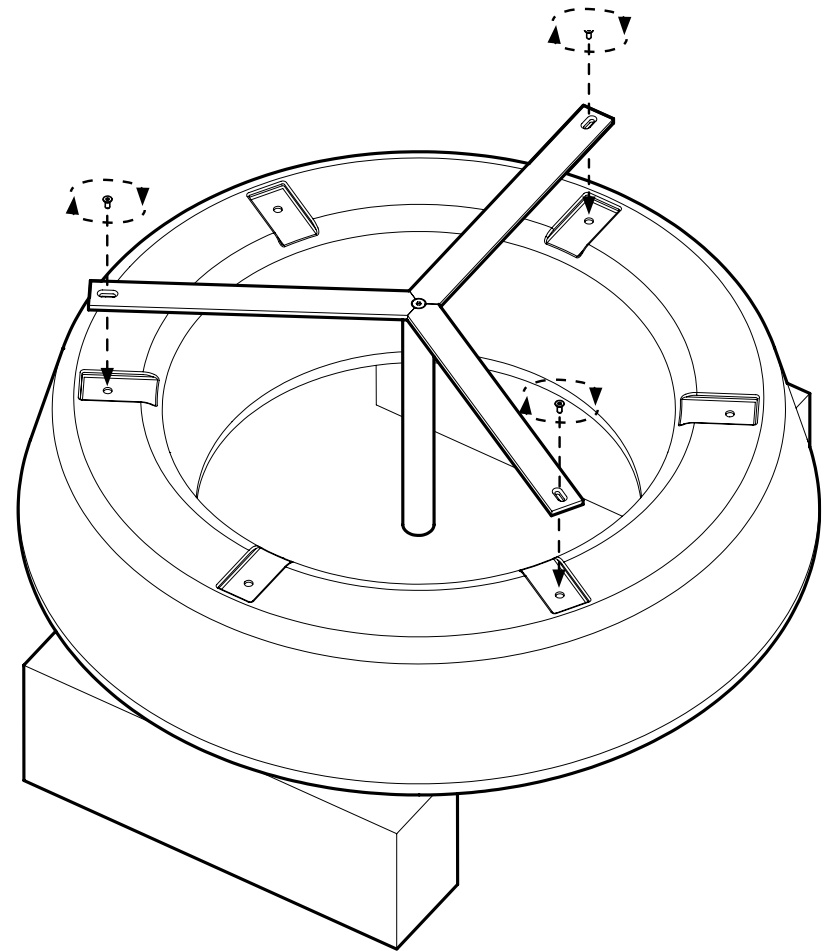
- 2 pcs. M16 × 45 countersunk bolts
- 3 pcs. M10 × 25 countersunk bolts
- 4 pcs. M6 × 16 panhead bolts
- 1 pcs. 3 leg steel bracket for assembly with LOOP
- 1 pcs. flange for assembly with table top
- 1 pcs. Ø80 tube

PLEASE NOTE:
LOOP BENCH IS NOT INCLUDED.

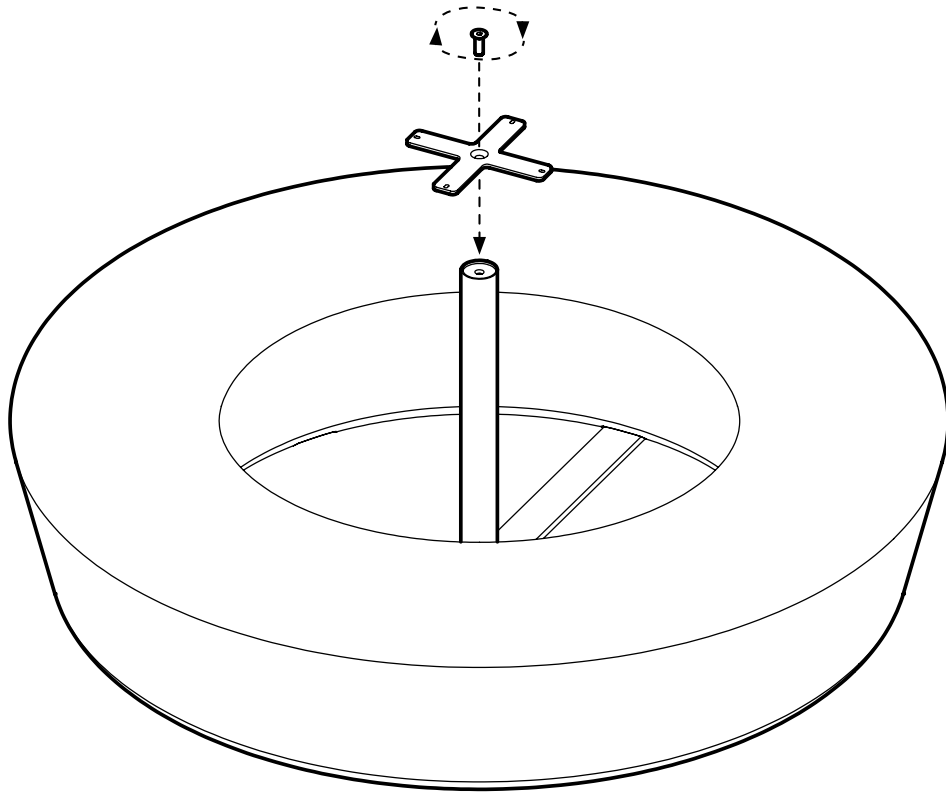




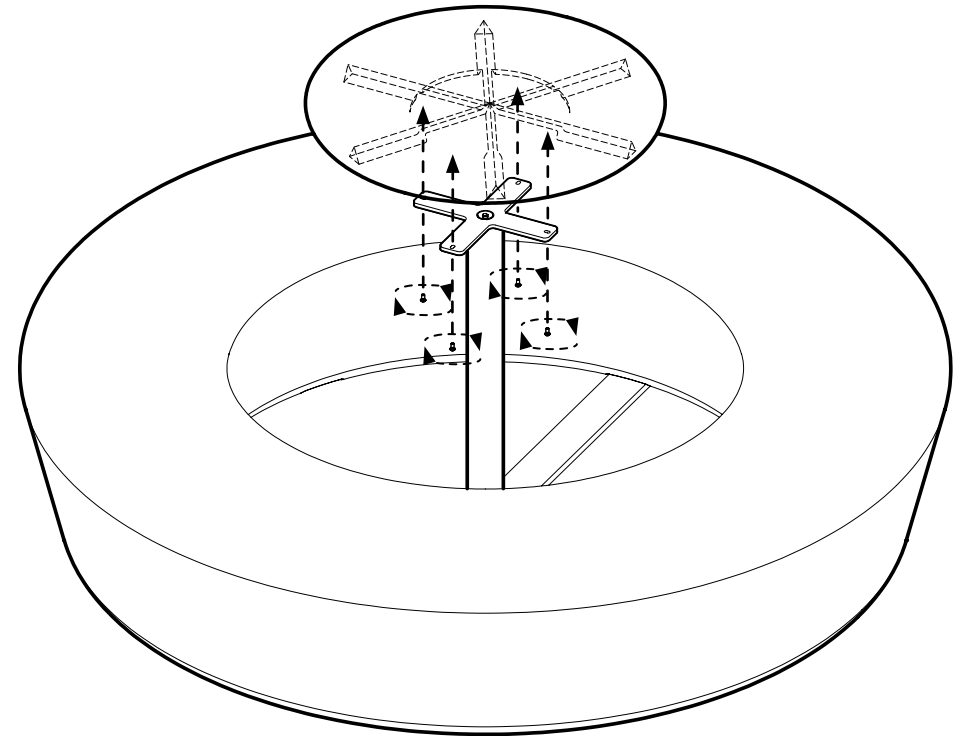
1.
Assemble Ø80mm tube and 3 leg steel bracket using M16 countersunk bolt.



2.
Place LOOP on two boxes and mount 3 leg steel bracket using M10 countersunk bolts.



3.
Install flange using the included M16 countersunk bolt.



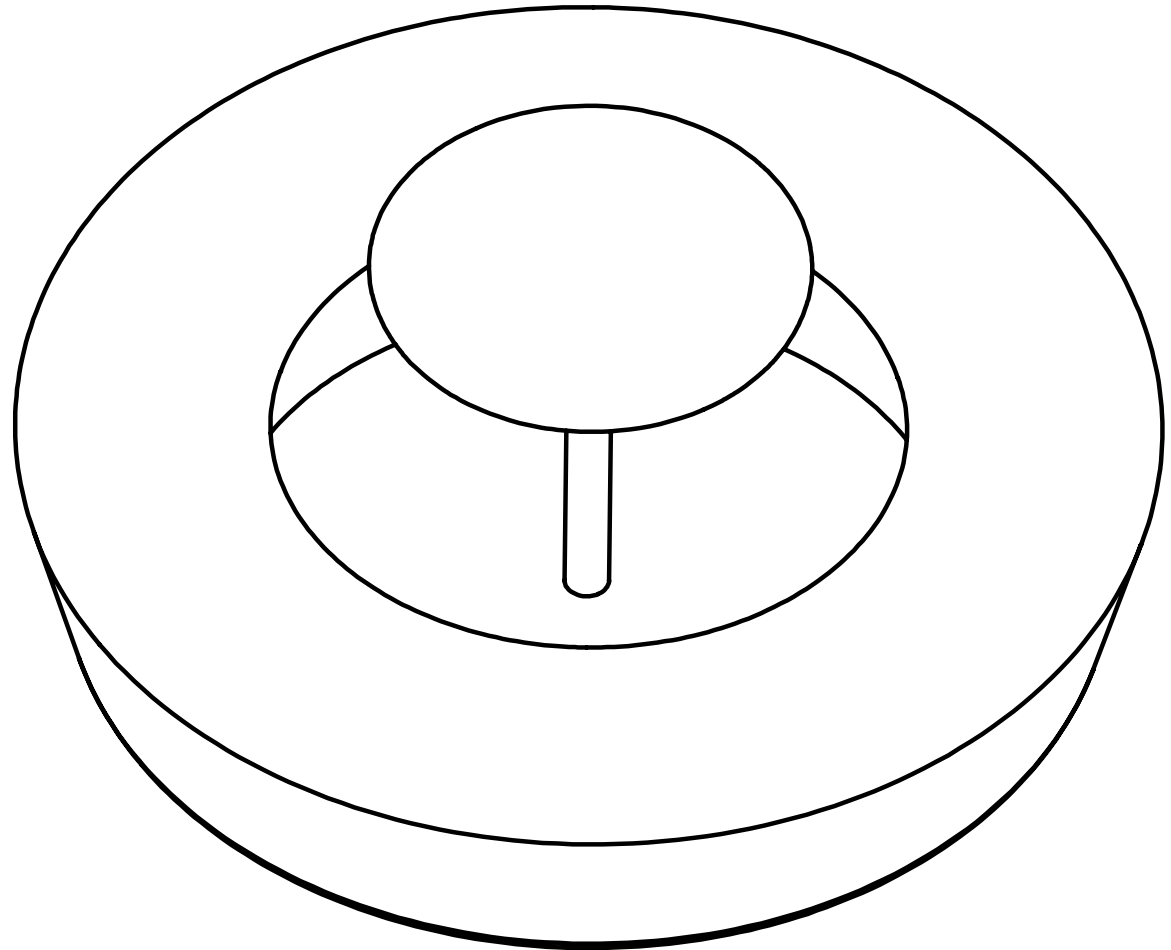
4.
Mount table top on flange using 4 pcs. M6 bolts.

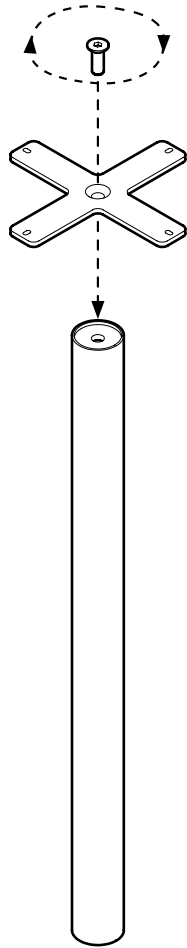
MOUNTING LOOP TABLE - IN-GROUND VERSION

Parts included

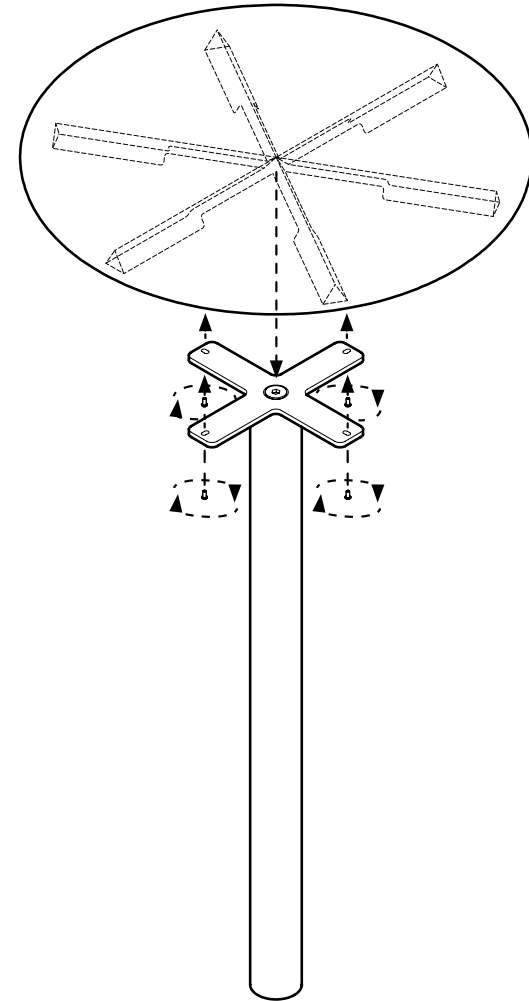
- 1 pcs. M16 × 45 countersunk bolts
- 4 pcs. M6 × 16 panhead bolts
- 1 pcs. flange for assembly with table top
- 1 pcs. Ø80 tube

PLEASE NOTE:
LOOP BENCH IS NOT INCLUDED.

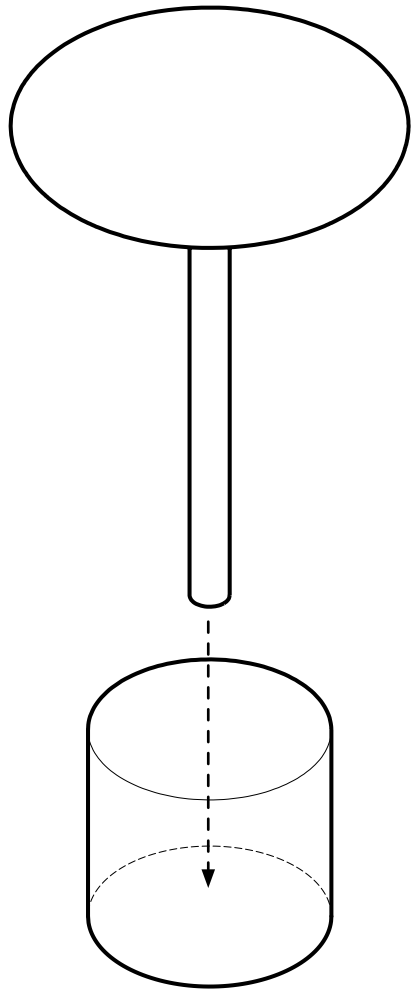




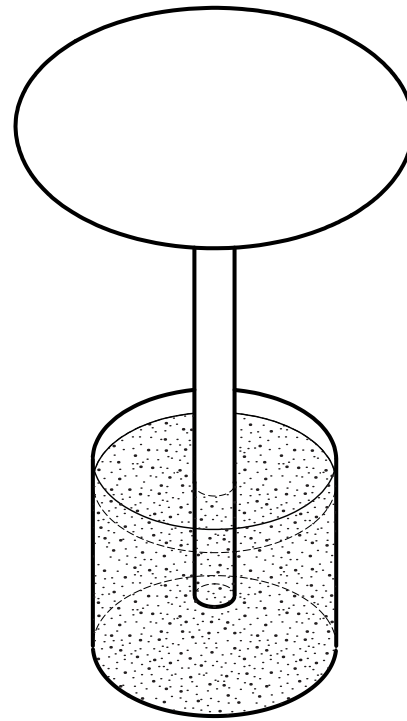
1.
Assemble tube and flange using the
the included M16 countersunk bolt.



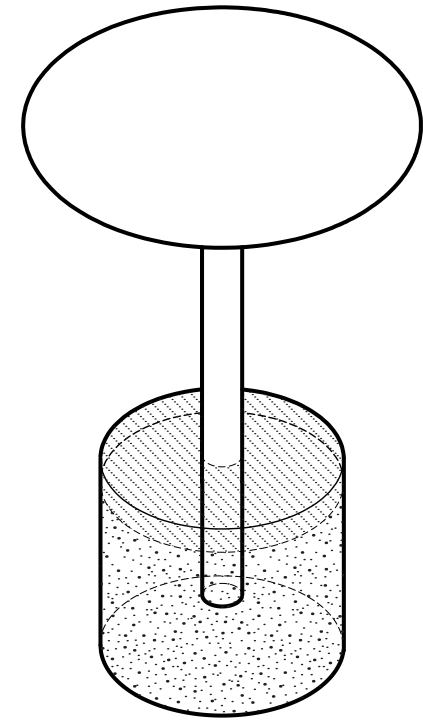
2.
Mount table top on flange using
4 pcs. M6 bolts.



3.
Excavate a hole and place tube
300mm below ground surface.



4.
Fill with concrete.



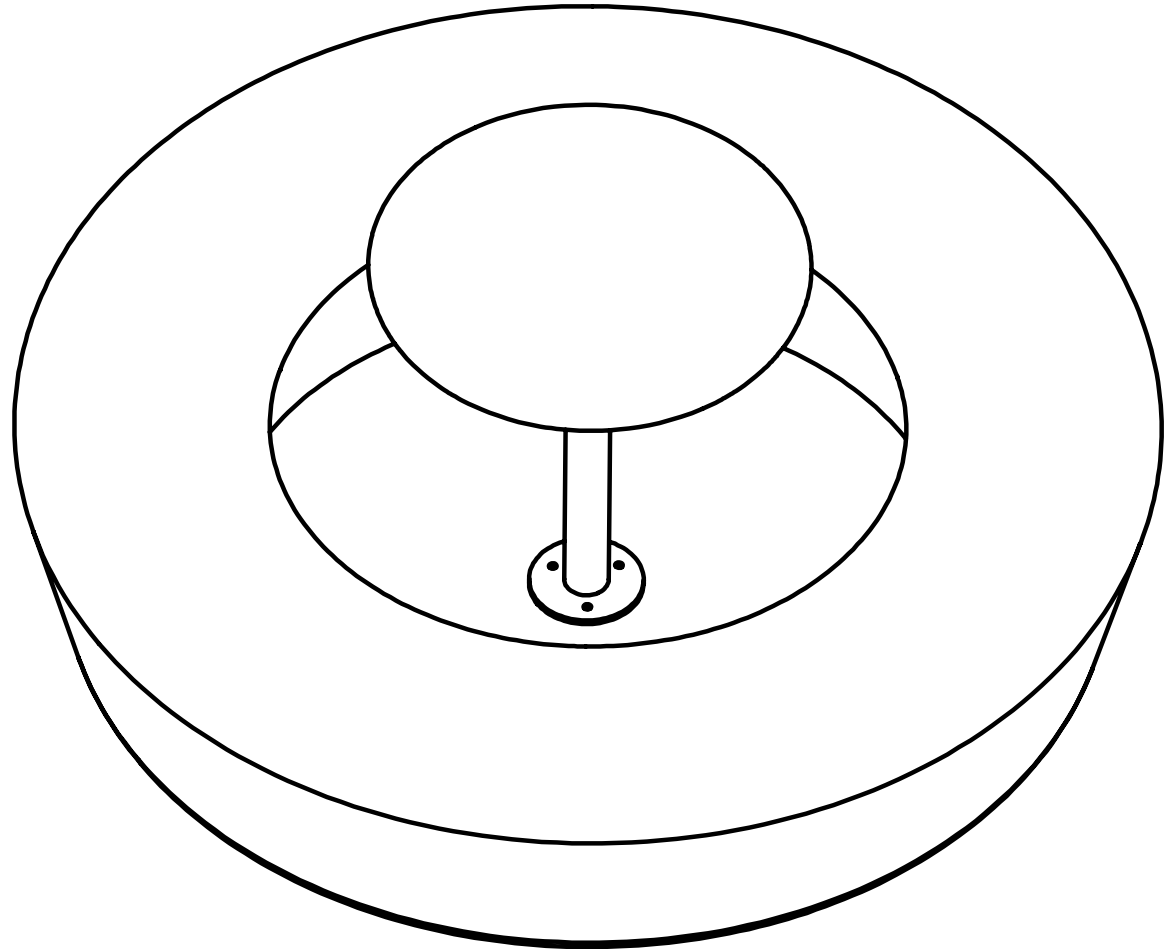
5.
Top off with dirt or soil.

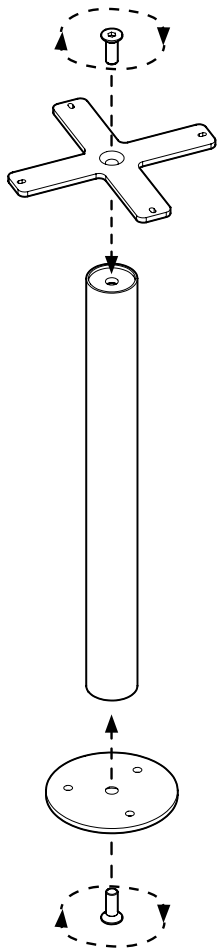
MOUNTING LOOP TABLE - SURFACE WITH FLANGE VERSION

Parts included

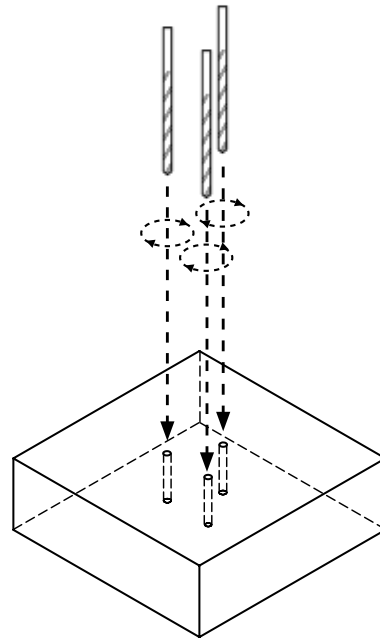
- 2 pcs. M16 × 45 countersunk bolts
- 4 pcs. M6 × 16 panhead bolts
- 1 pcs. flange for assembly with table top
- 1 pcs. Ø80 tube
- 1 pcs. flange for surface mounting

PLEASE NOTE:
LOOP BENCH IS NOT INCLUDED.

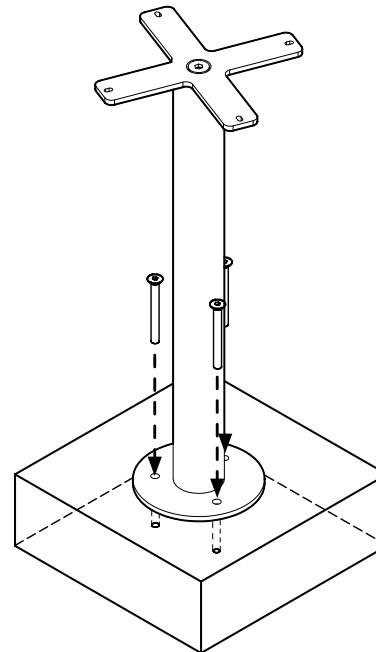




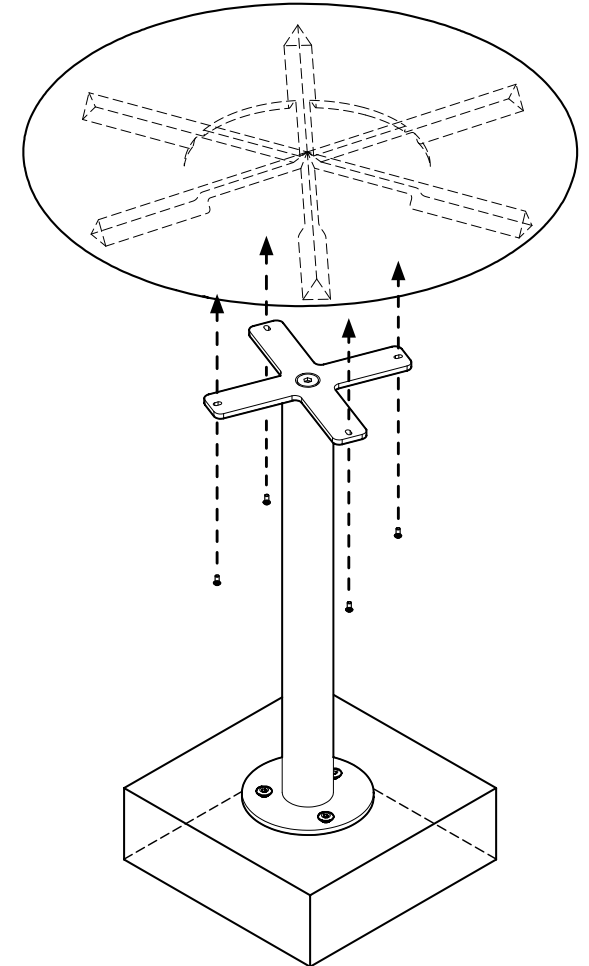
1. Assemble flange, tube and table flange using the included M16 countersunk bolts.



2. Drill 3× holes in an $\text{Ø}120\text{mm}$ circle with 120° spacing.



3. Mount assembly on surface using bolts for concrete or equivalent (max. $\text{Ø}12\text{mm}$).



4. Mount table top on flange using 4 pcs. M6 bolts.

CLEANING INSTRUCTIONS

The material polyethylene withstands almost all detergents.

Polyethylene requires no maintenance.

The dyed polyethylene preserves the colour -
minimal fading by the sun is to be expected.

Pressure washers can be used with advantage to clean the product.