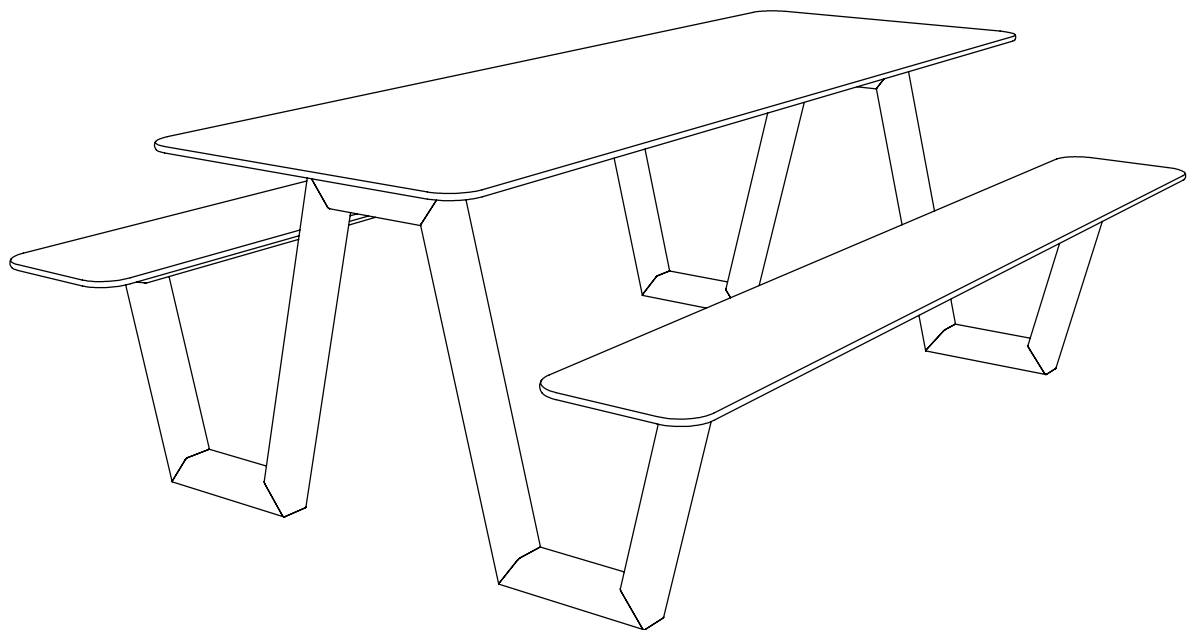
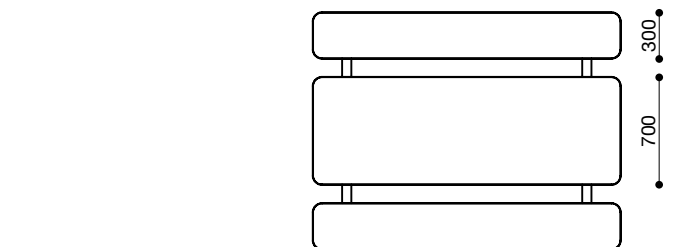
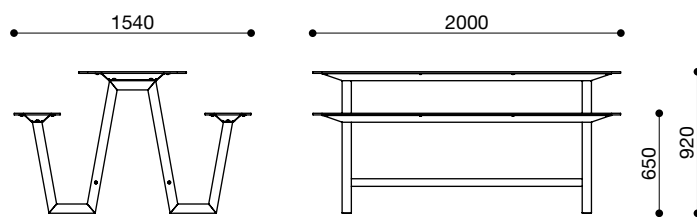
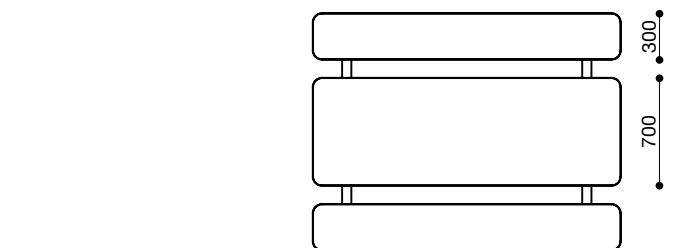
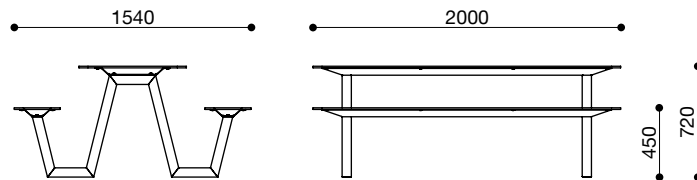
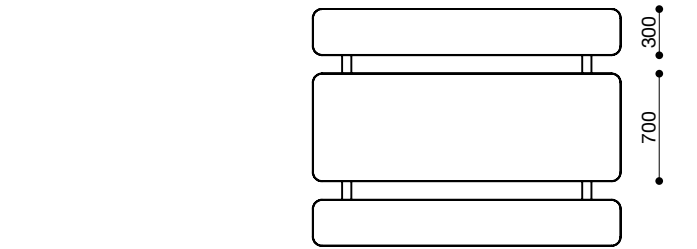
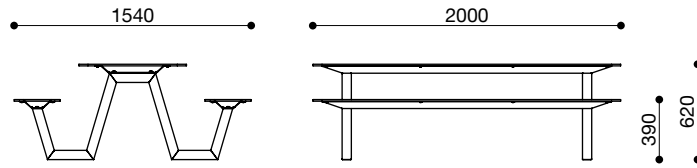


Picnic HPL

Technical Informations



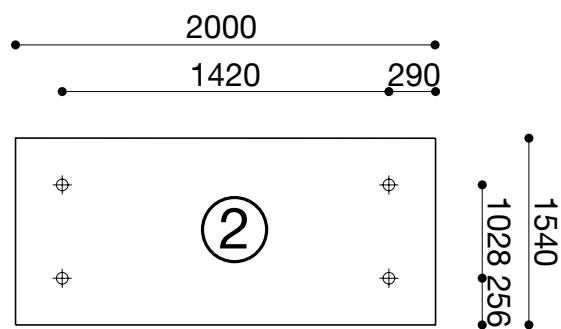
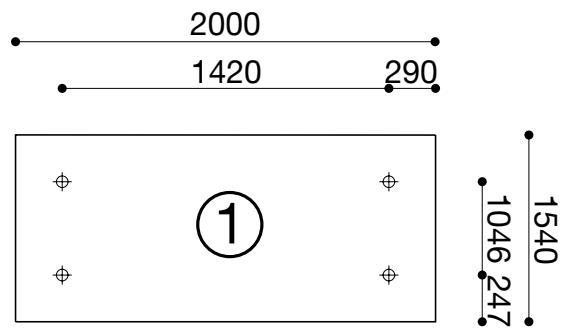
Dimensions



Hole pattern for mounting

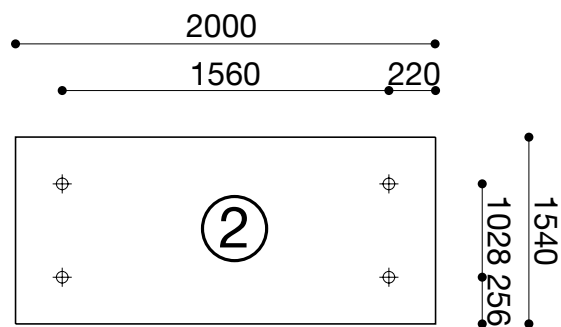
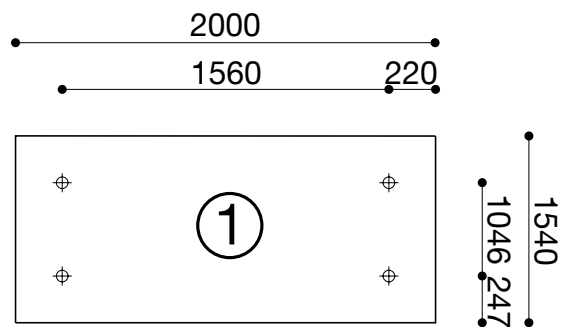
With screw and dowel:

- 1) low, medium
- 2) high



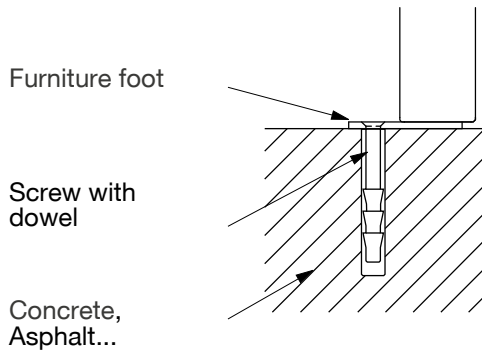
With ground anchor:

- 1) low, medium
- 2) high



Mounting

With screw and dowel



With ground anchor

