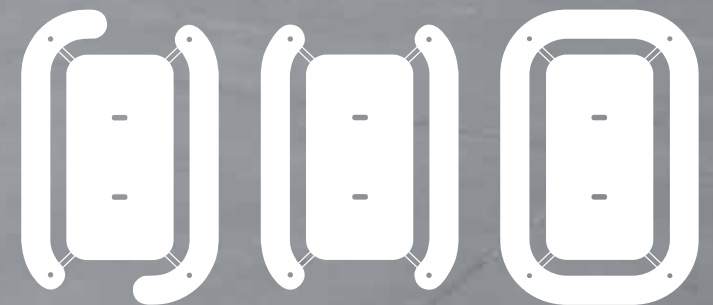


PLATEAU #177

rethinking social seating



outsider
RETHINK URBAN SPACE



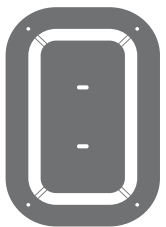


PLATEAU O #177
elliptical bench, seats 12

MAINTENANCE FREE

Uniquely suited for rough, outdoor use, it needs no other care than cleaning. Low maintenance costs make High Pressure Laminate (HPL) a wise and sustainable choice.

HPL is made by hardening thin paper sheets with resin, under high pressure. It becomes an extremely long-lived, UV-resistant and strong material.





PLATEAU I #177
easy access bench, wheel chair friendly, seats 6-8



YOUR URBAN WORKSPACE

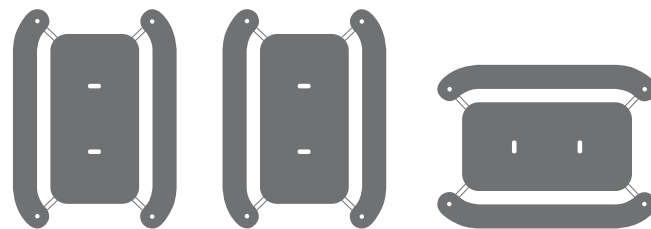
The smooth tabletop makes PLATEAU comfortable for working and dining. The pleasant surface is cool in summer and warm in winter, and does not absorb moisture.



SOCIABLE, WITH MANY SEATS

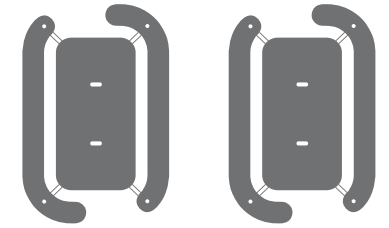
The shape of PLATEAU merges all the pleasant qualities of a round table with the practical aspects of a rectangular one and gives an efficient utilization of the floor space.

PLATEAU seats from 6 to 12!





PLATEAU L #177
easy access bench, seats 8-10



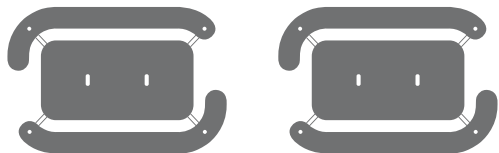
COLOURS AND OPTIONS

The sleek look of PLATEAU is international and rooted in Scandinavian design tradition, and the HPL colour palette has both muted and bright shades.

Galvanized or dark grey powder coated frame are standard, and the custom RAL option for the frame, leads to several new styles and expressions.

INDOORS OR OUTDOORS?

PLATEAU is a versatile table with a wide appeal: it works as well in a cool, indoor glass atrium as in a salty, seaside resort, in your shady green square or your active school yard.





steel blue / RAL 5024
galvanized



cerro / RAL 8011
galvanized



olive / RAL 6013
galvanized



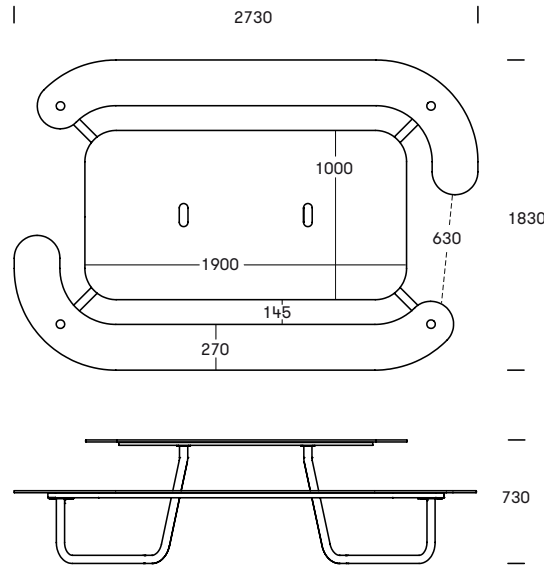
grey white / RAL 9002
galvanized



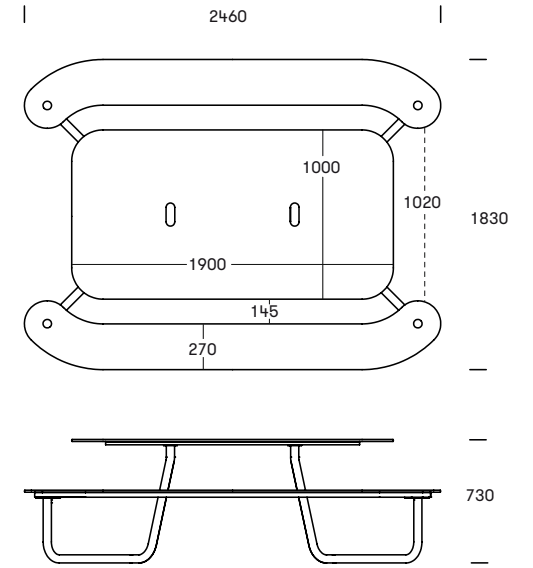
mars red / RAL 3020
galvanized



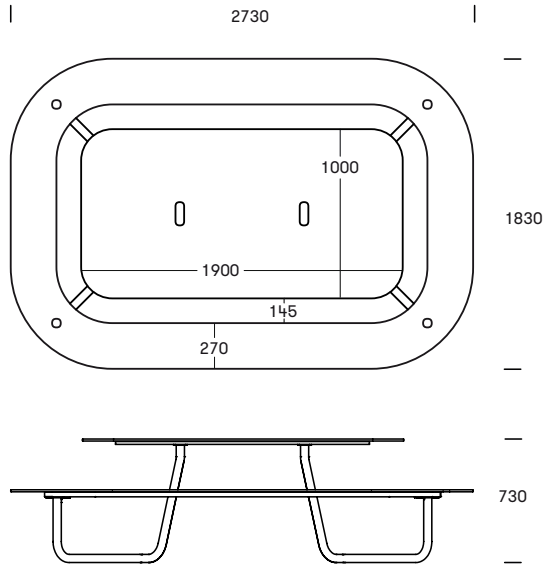
anthracite / RAL 7024
galvanized



PLATEAU L #177 / 8-10 seats



PLATEAU I #177 / 6-8 seats



PLATEAU O #177 / 10-12 seats



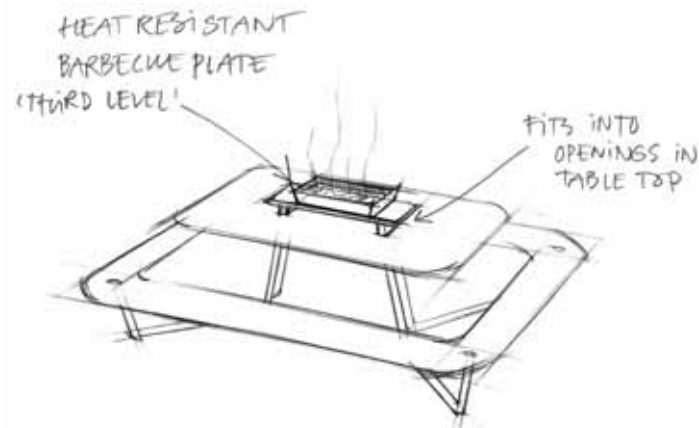
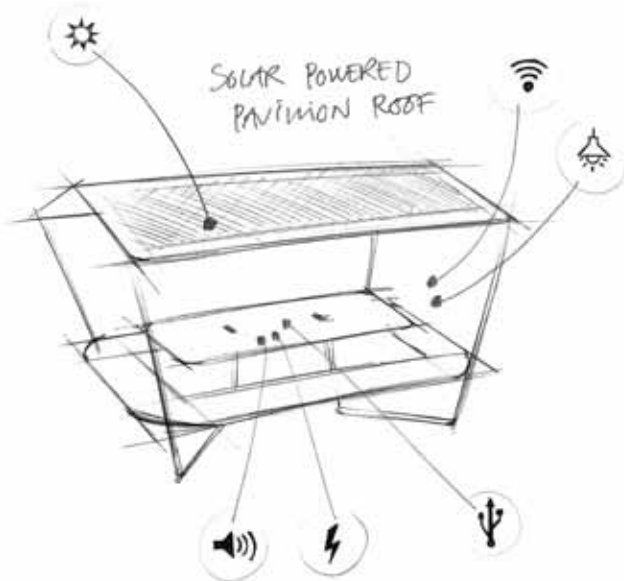
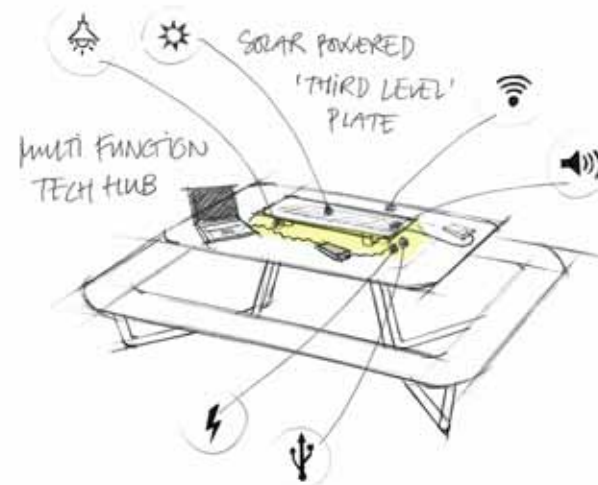
THE FUTURE...

PLATEAU is designed by Holscher Design, one of Denmark's leading design studios.

Plateau is a product born with a clever design feature: the six holes, in which the table top and bench connect with the frame, are a very deliberate construction detail.

They are fitted with elegant removable stainless steel discs, and will enable a series of future attachments.

SKETCHES OF POSSIBLE ADD-ONS:



outsider
RETHINK URBAN SPACE

Kigkurren 8A, Islands Brygge
2300 København S
DENMARK

www.out-sider.dk
info@out-sider.dk
0045 2261 7420