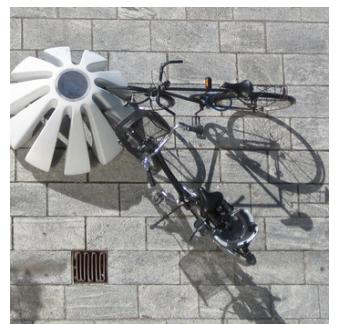
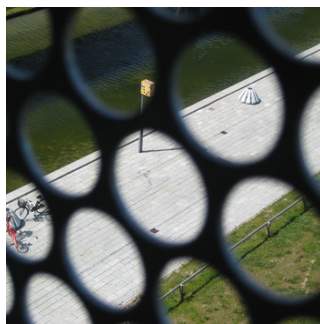
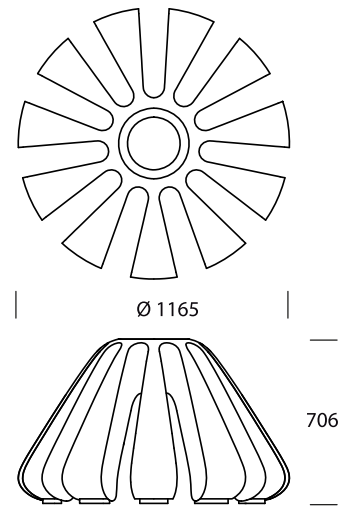


JELLO # 313 ACTS

An urban element that is hard to categorize. A sculptural mix between a robust bollard, resting place, rendezvous and bicycle parking for 11 bicycles.

Design: NATiON + KSA DESIGN



TECHNICAL DATA

Material

Moulded white/grey/anthracite wet concrete. Resists wear and weather. Fibrous concrete is a dynamic material. Minor, cosmetic cracks may occur over time. Reinforced with stainless steel to strengthen the legs.

Top plate made from stainless steel.

Dimensions

Ø1165 x 706mm.

Bike function

Up to 11 bikes can be placed in the slits. An installation with Jello and 11 bikes reaches a diameter of max. 4m.

Fixation

Directly positioned on the ground. No fixation needed due to its weight of 400kg.

Variant

Available in grey and anthracite concrete.

Also available as an integrated solar cell lighting version (#314).

Maintenance

Maintenance-free

To ensure easy removal of dirt and graffiti it is recommended to give the surface an anti-graffiti treatment which is offered as supplement.

Design Protection

Registered EU community design /
number 0014369920004

Product code

313 0250 Jello white / 400kg

Standard colours (approx. RAL)



White: RAL 9002



Grey: RAL 7004



Anthracite: RAL 7016