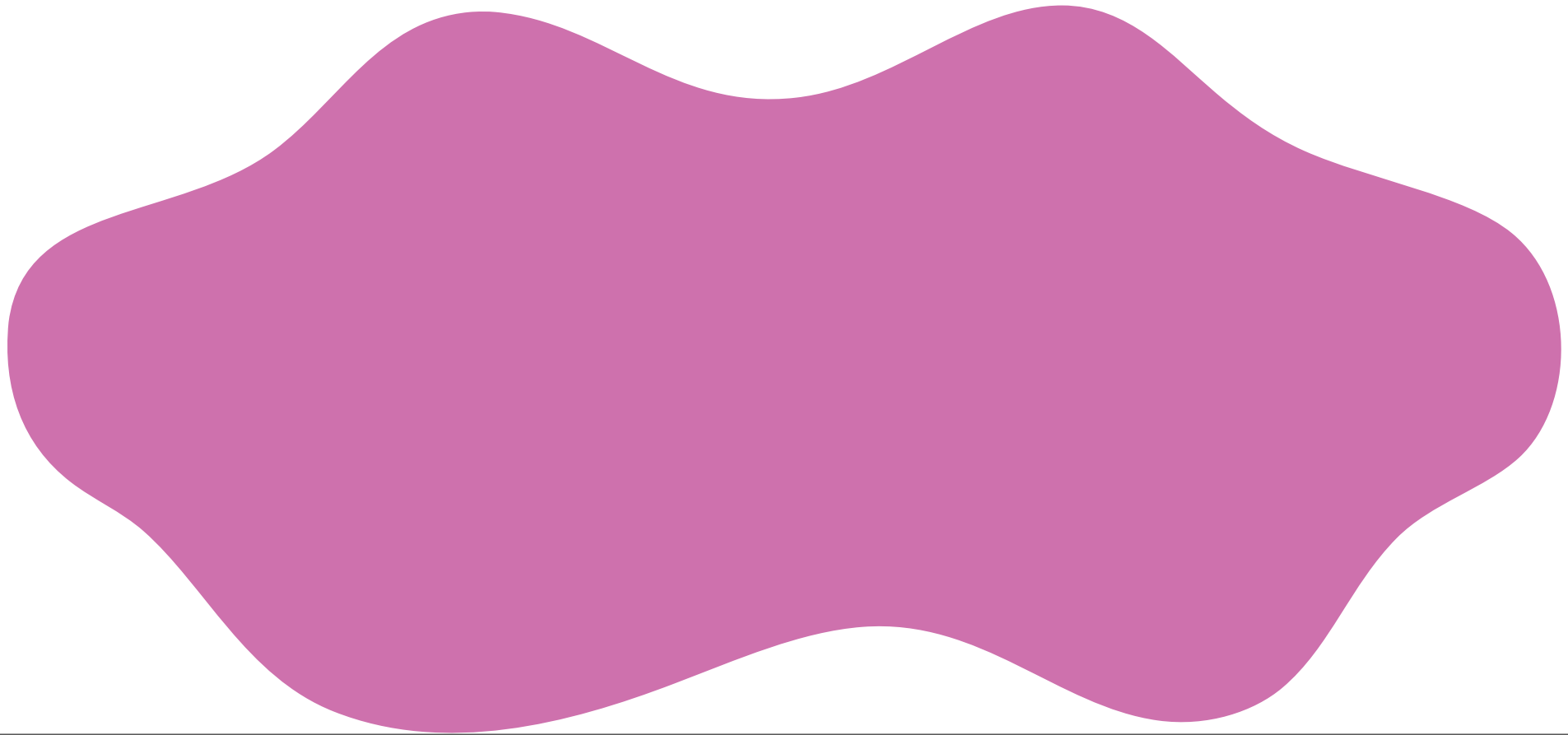
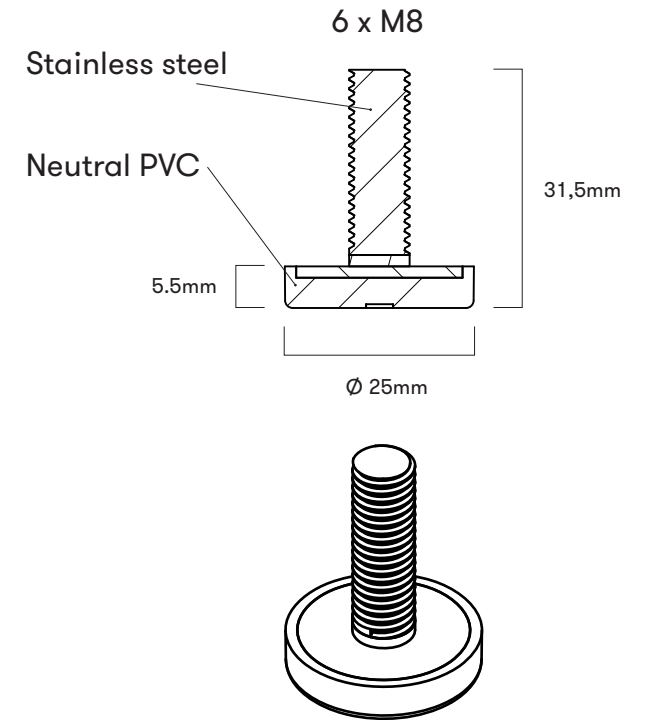
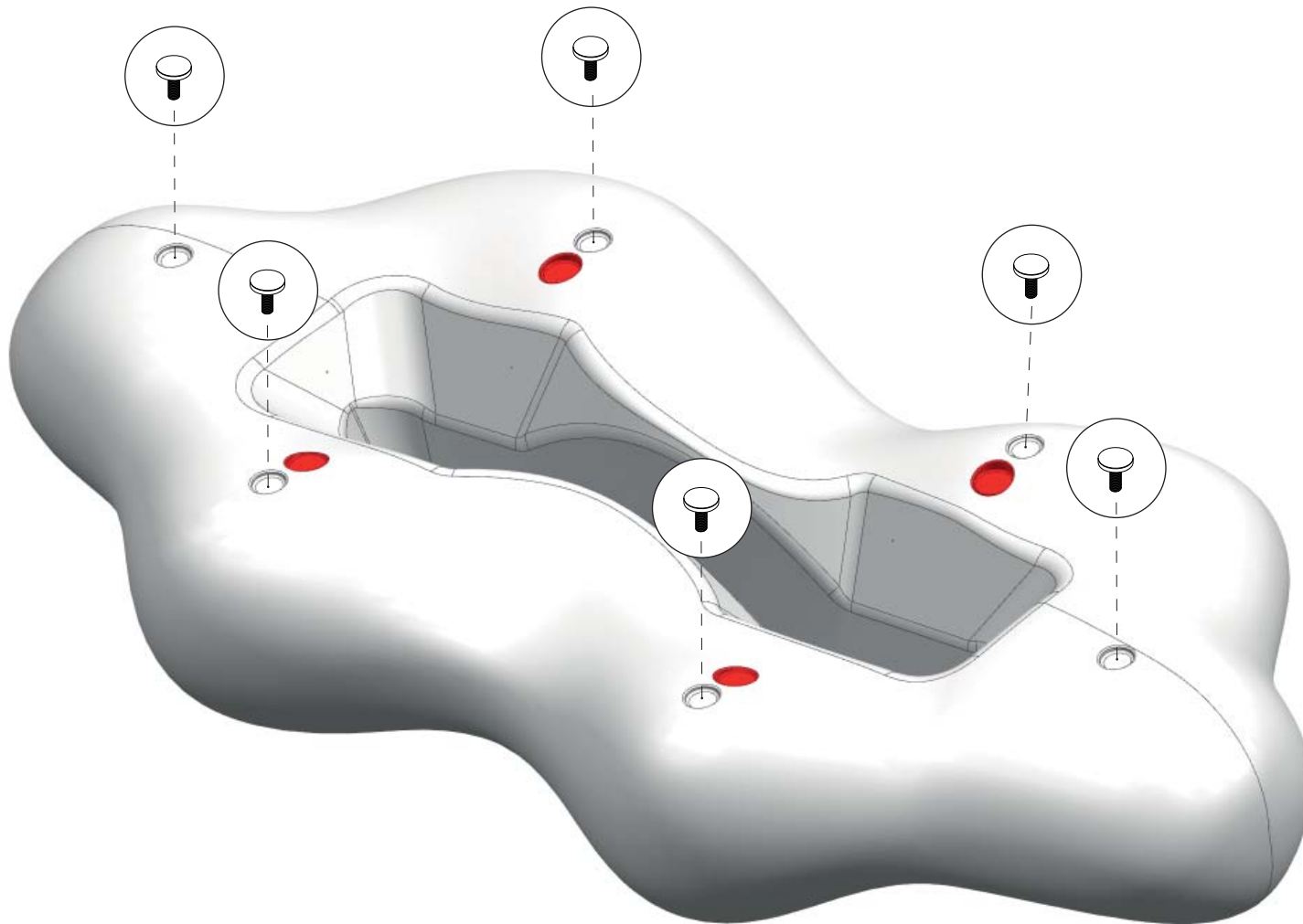


**LAVA**  
**#173**

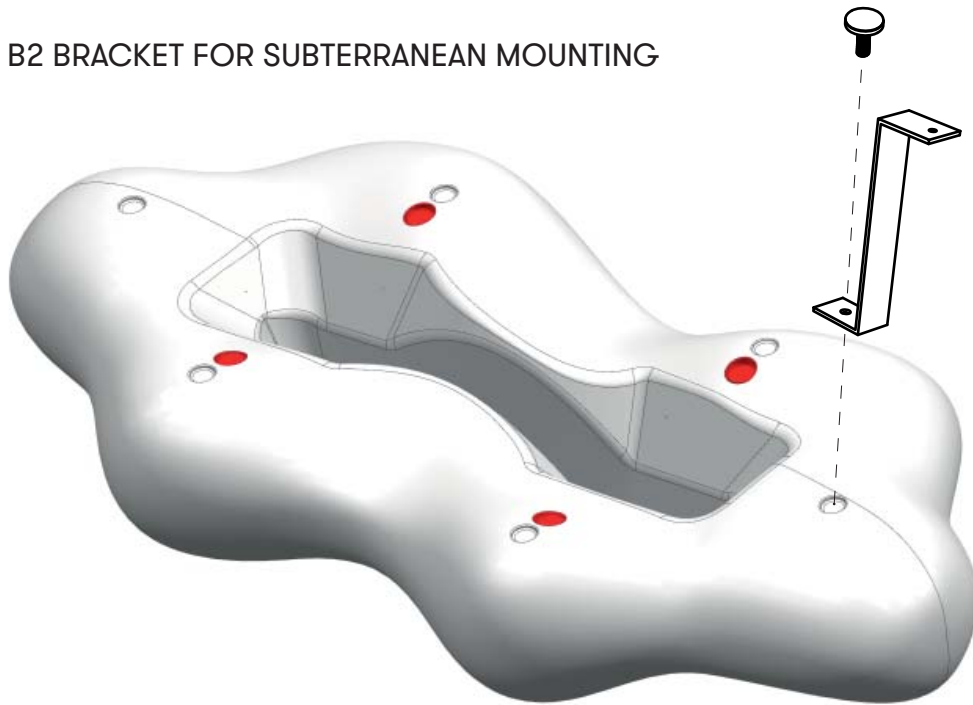
# MOUNTING INSTRUCTION



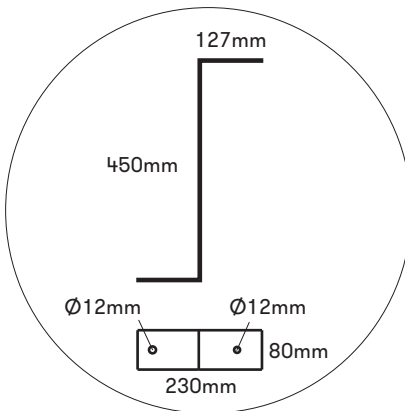
FEET FOR HEIGHT ADJUSTMENT  
(6 feet (M8) are supplied)



### B2 BRACKET FOR SUBTERRANEAN MOUNTING



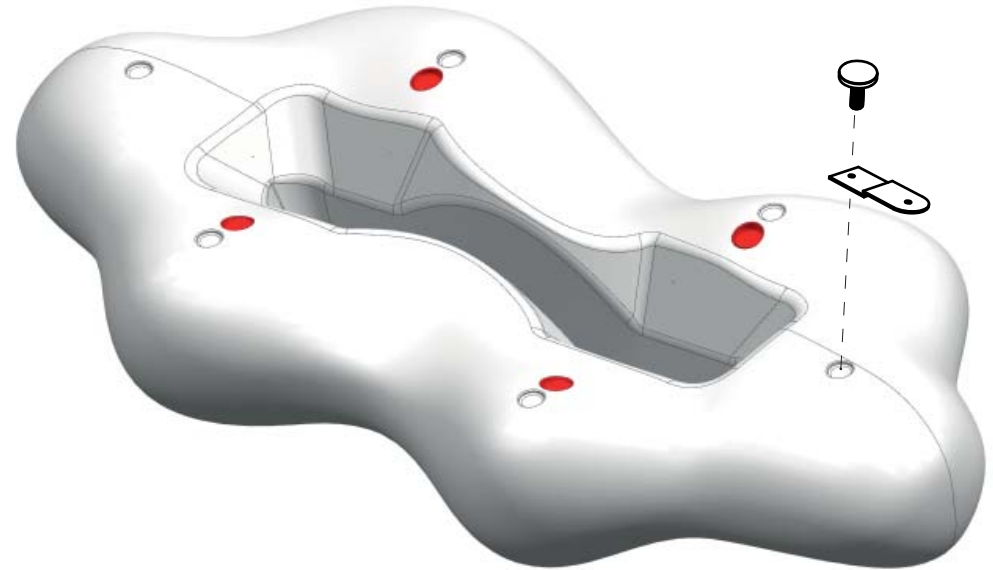
#### B2 BRACKETS



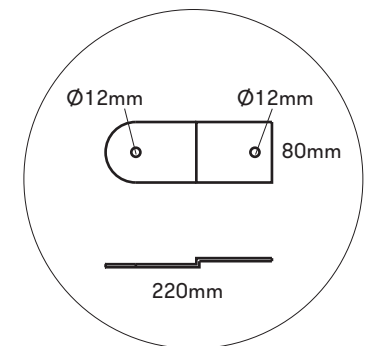
Each bracket is mounted to the bottom of Lava with supplied M8 bolts/feet.

Estimate the required number of brackets (1-2) according to local conditions.

### B3 BRACKET FOR SURFACE MOUNTING



#### B3 BRACKETS



Each bracket is mounted to the bottom of Lava with supplied M8 bolts/feet.

Estimate the required number of brackets (1-2) according to local conditions.

## CLEANING INSTRUCTION

The material polyethylene withstands almost all detergents.

Polyethylene requires no maintenance.

The dyed polyethylene preserves the colour - minimal fading by the sun is to be expected.

Pressure washers can be used with advantage to clean the product. This service is often offered by companies that remove graffiti.

After cleaning, use vinyl polish (same as used for car interior) to make the product shine.

## SLIP RESISTANT SURFACES

The products have a textured/granulated surface due to abrasive blasting of the mold.

This process increases the friction, resulting in a less slippery surface.