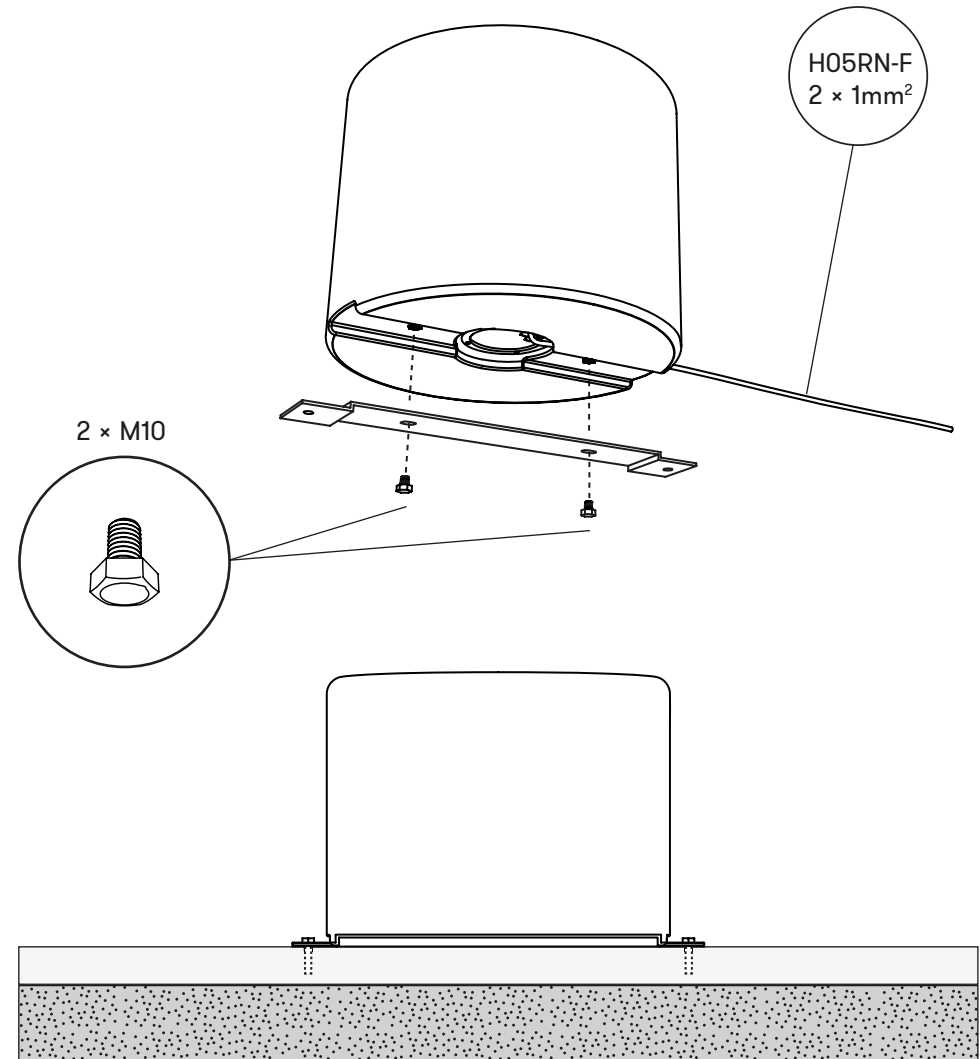
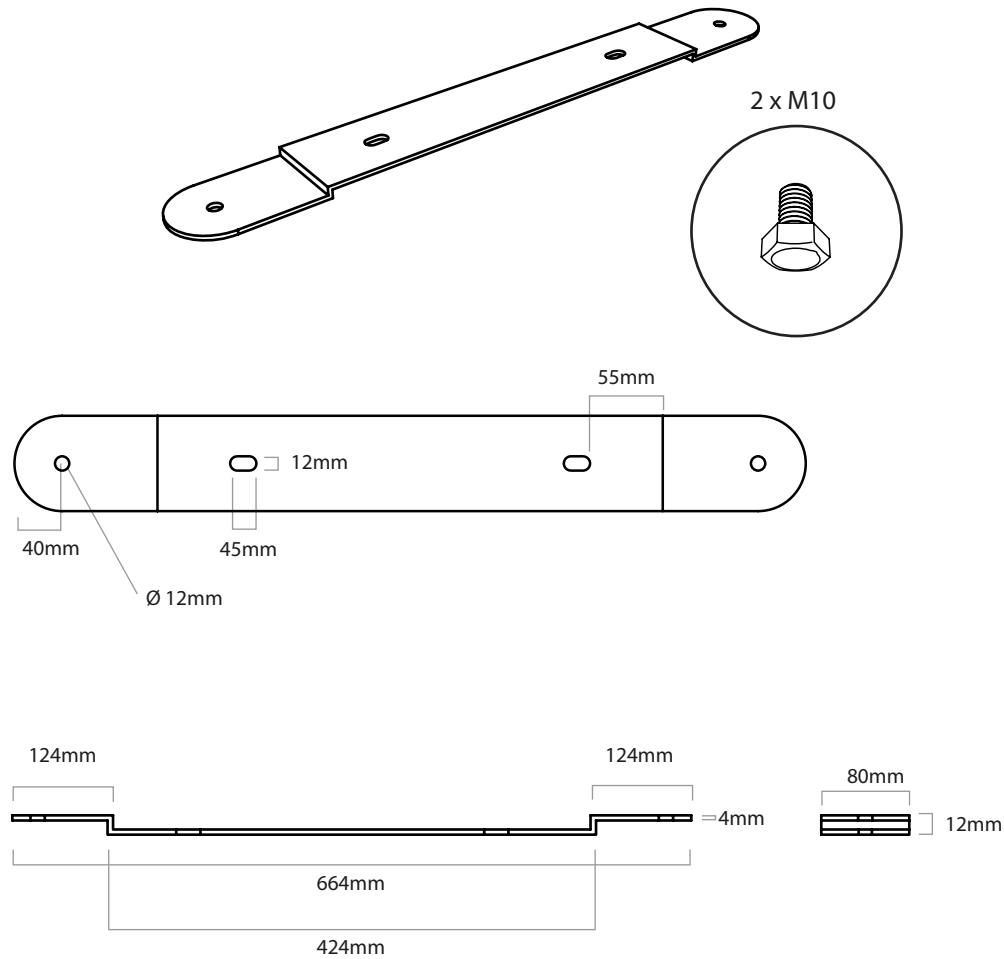


HOPOP 500 LIGHT #187

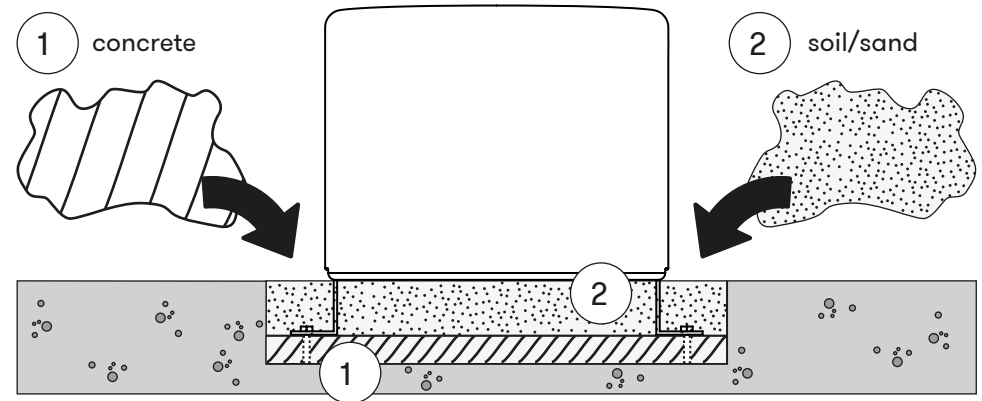
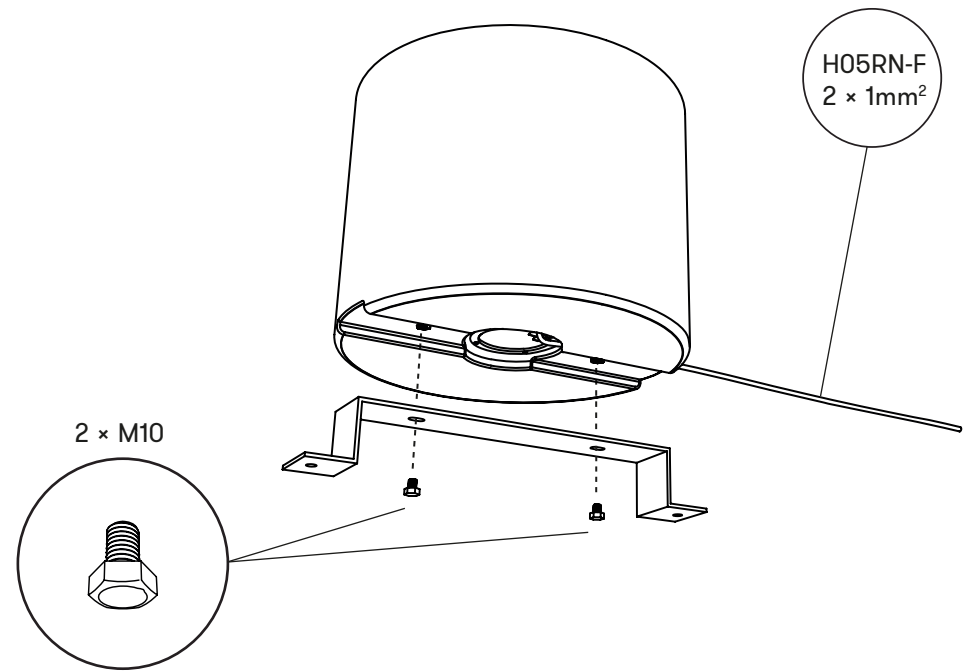
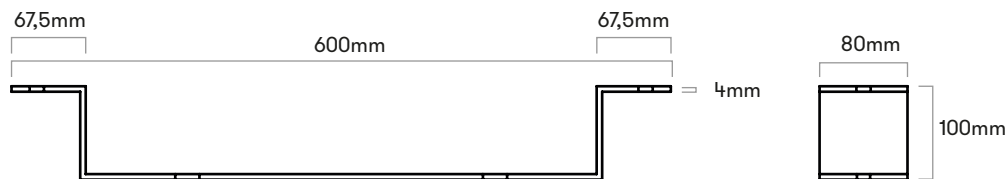
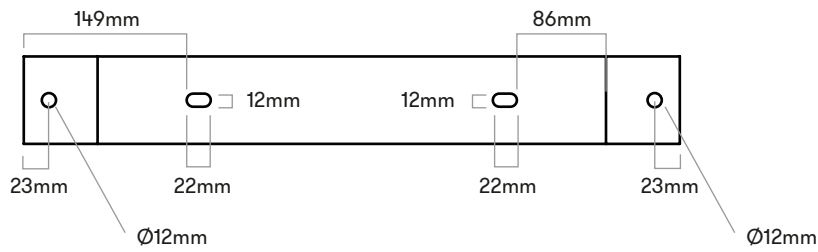
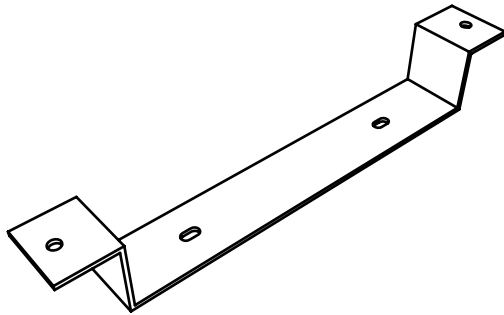
MOUNTING INSTRUCTION

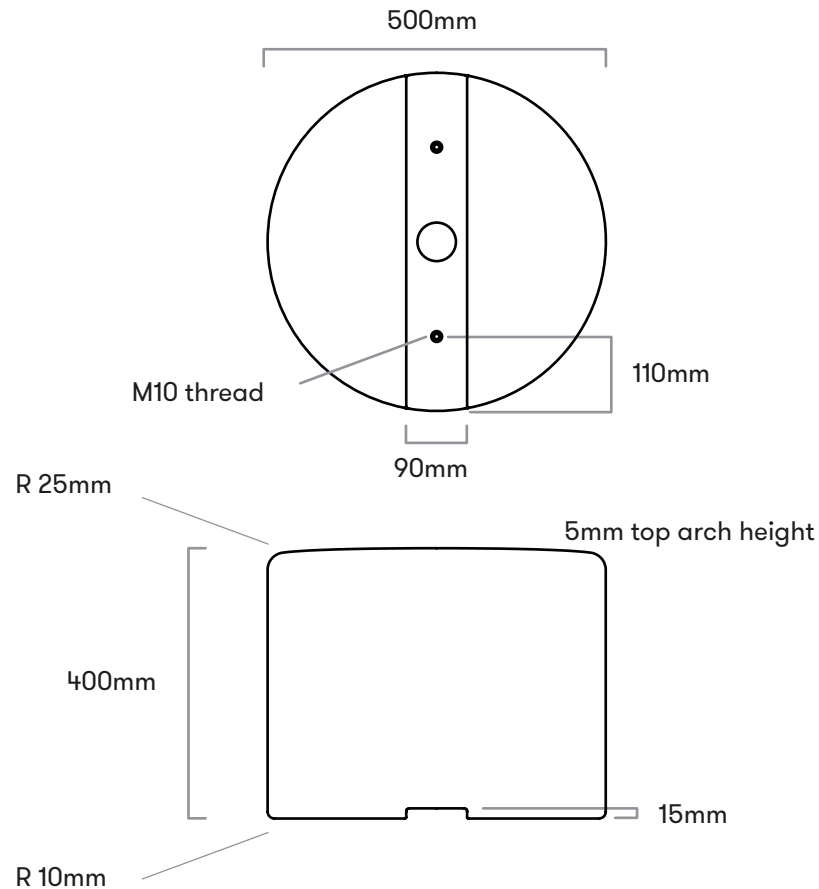


B8 BRACKET FOR SURFACE FIXATION



B9 BRACKET FOR GROUND FIXATION





CONNECTING LED UNIT

The integrated LED unit connects directly to mains 100-240V / 50-60 Hz via H05RN-F 2×1mm² cable and plug to corresponding socket.

If the LED unit is connected through a junction box or other equipment, work must be carried out by a professional.

CLEANING INSTRUCTIONS

The material polyethylene withstands almost all detergents.

Polyethylene requires no maintenance.

The dyed polyethylene preserves the colour - minimal fading by the sun is to be expected.

Pressure washers can be used with advantage to clean the product.

SLIP RESISTANT SURFACES

The products have a textured/granulated surface due to abrasive blasting of the mold. This process increases the friction, resulting in a less slippery surface.

SHOCK ABSORBING SURFACE AND IMPACT AREA

Shock absorbing surface and the extension of impact area.

In accordance with EN 1176:2017 we recommend to place a product on an impact area of 1500mm on both sides. Distance between products can vary but shall be lessened in order to facilitate a safe transition from one product to another.

Note: For a safe transition between products and other equipment in an ongoing track, a max. difference in fall height of 600mm needs to be respected.

Since overlap of the impact areas are permitted, the extension of the impact area shall be based on the highest fall height and calculated as follows: If fall height >1500mm the extension = 2/3 fall height + 500mm.



outsider
RETHINK URBAN SPACE
#136 Loop Light
#187 HopOp 500 light

This luminaire is compatible with bulbs of the energy classes:

A⁺⁺

A⁺

A

B

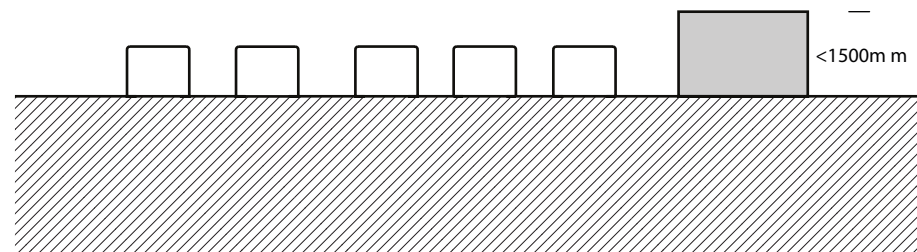
C

D

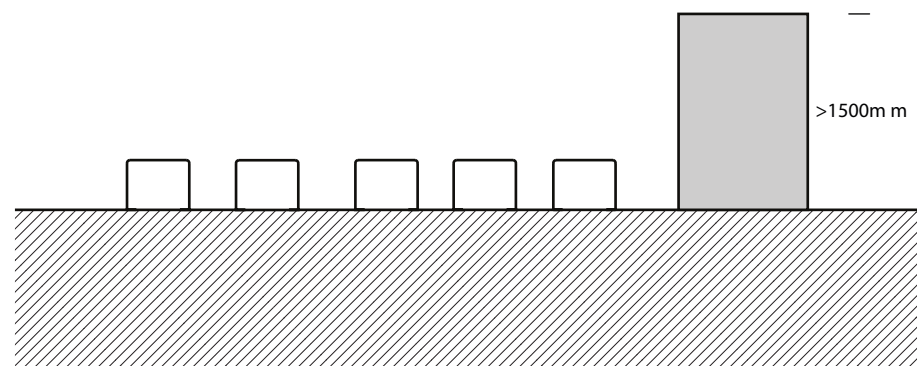
E

}

874/2012



1) HopOp500 Light and other equipment <1500mm



2) HopOp500 Light and other equipment >1500mm