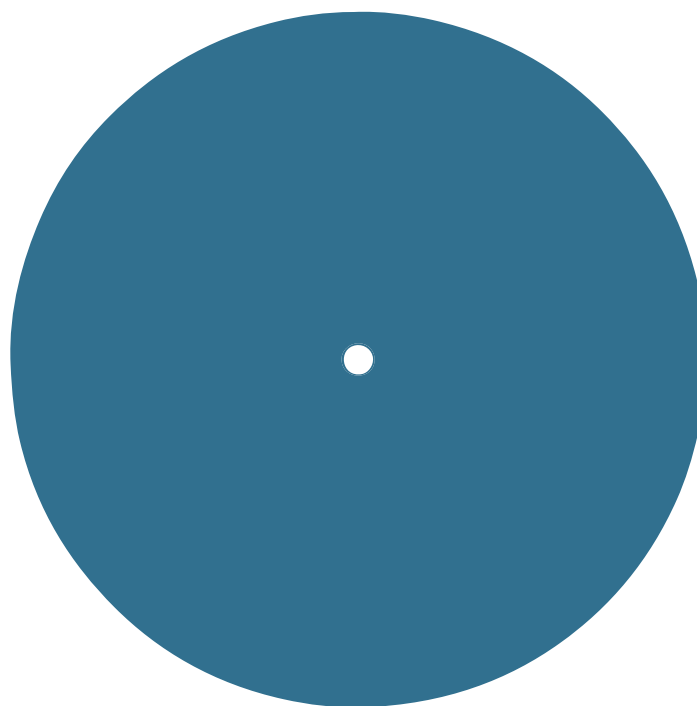


# PLATEAU **TABLE ROUND**

---

## #205 MOUNTING GUIDE



**outsider**

Kigkurren 8A Islands Brygge DK-2300 Copenhagen · [out-sider.dk](http://out-sider.dk)

# PLATEAU TABLE ROUND

Developed by out-sider in collaboration with Holscher Design 2021.

INDEX:	PAGE
Item list .....	<b>02</b>
Fixation of legs onto center tube.....	<b>03</b>
Fixation of table onto center tube.....	<b>04</b>
Fixation of disc .....	<b>05</b>
Cleaning and maintenance .....	<b>06</b>

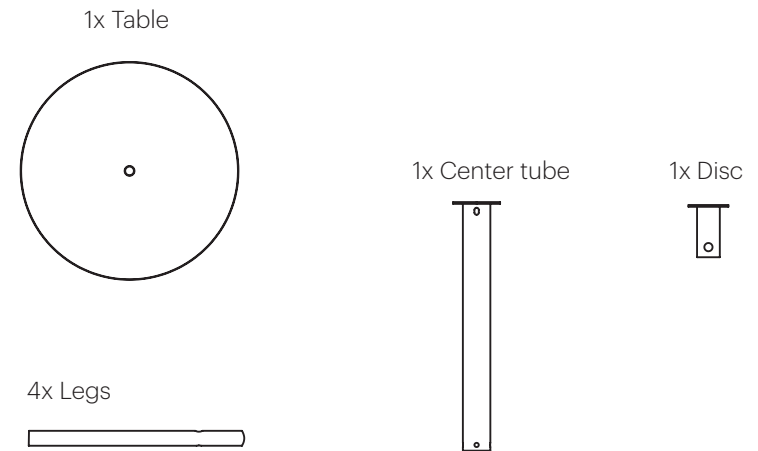
## ITEM LIST

### Screws/bolts

- 4x M10x12 button head Hexagon socket
- 4x M10x20 cylinder Hexagon socket
- 1x M8x100 Hexagon socket
- 1x M8 nut

### Tools (not included)

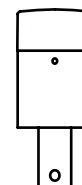
- Allen key set
- Socket wrench set



## ADD-ONS

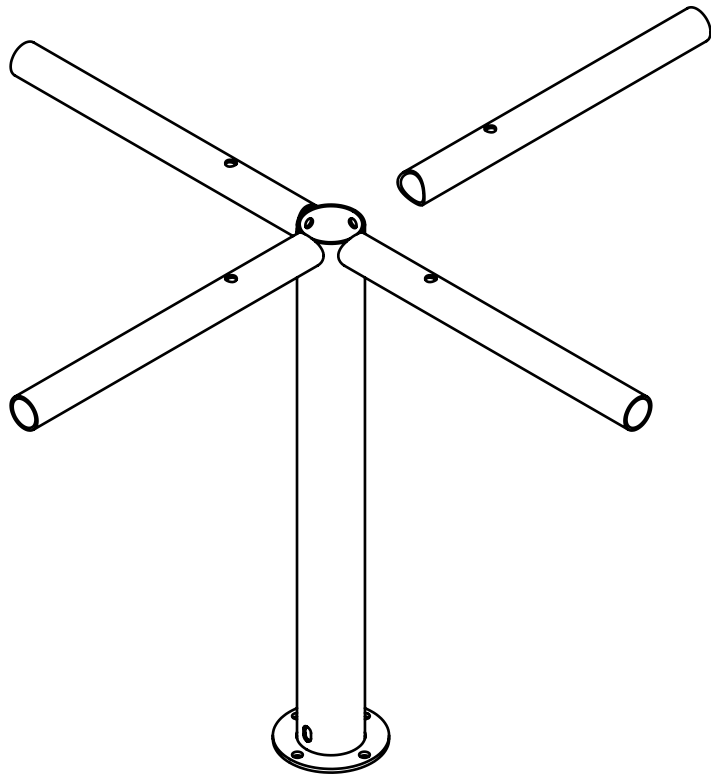
*Add-ons, not included with standard product*

1x Point Sun  
f. Picnic Round



## 1: FIXATION OF LEGS ONTO CENTER TUBE

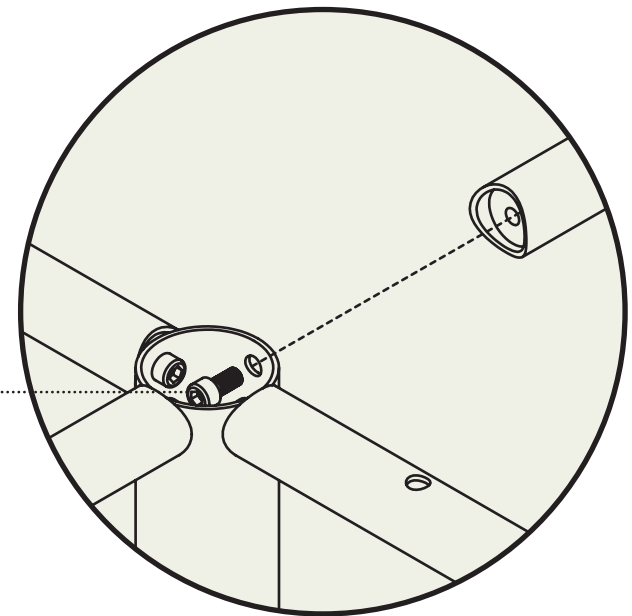
Place the center tube with the flange against the ground. Each leg is mounted with an M10x20 bolt from the inside of the center tube. Tighten the bolts firmly.



### Fastening of the leg.

The bolt is passed through the hole from the inside. Use the Allen key only when the bolt has gotten hold of the thread.

4x M10x20

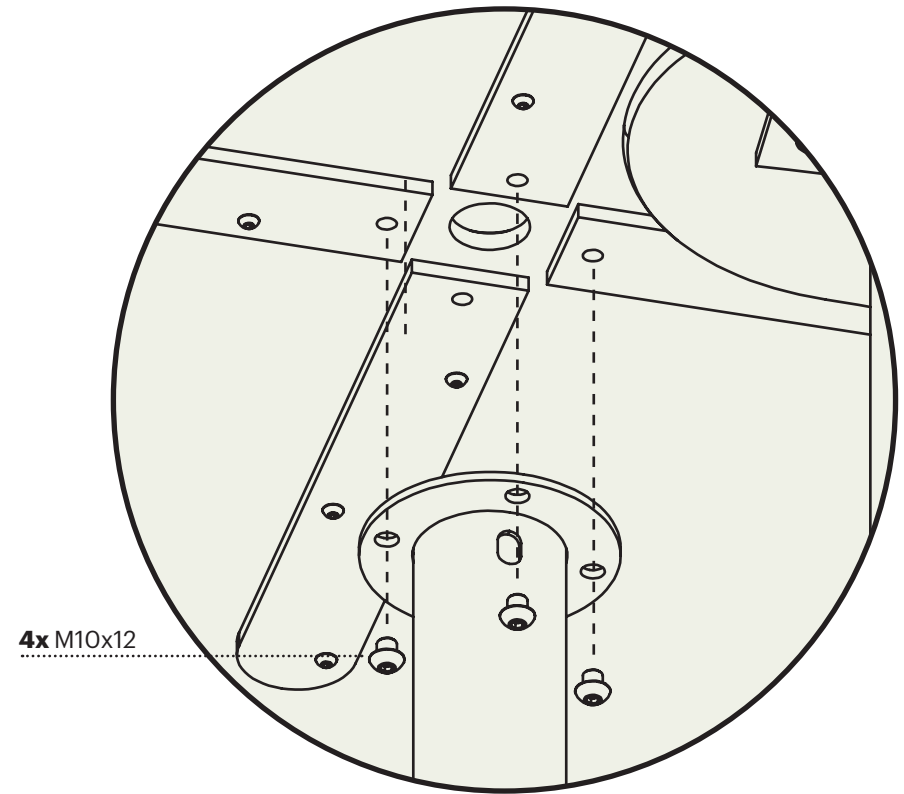
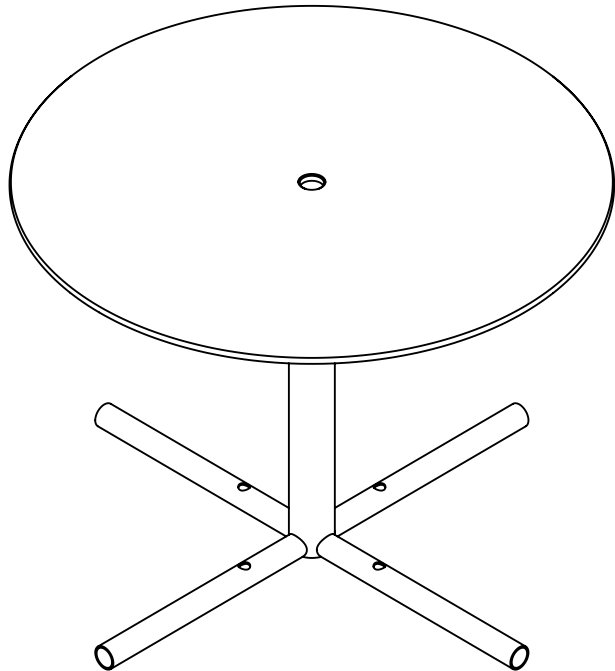


## 2: FIXATION OF TABLE ONTO CENTER TUBE

After the seat has been fitted, the table can be carefully laid on the center tube. The table comes with a steel frame, ready for mounting on the center tube. All 4x M10x12 bolts are loosely screwed in and retightened.

### Placement of table

Carefully place the table on top of the center tube.



### Fastening of the table

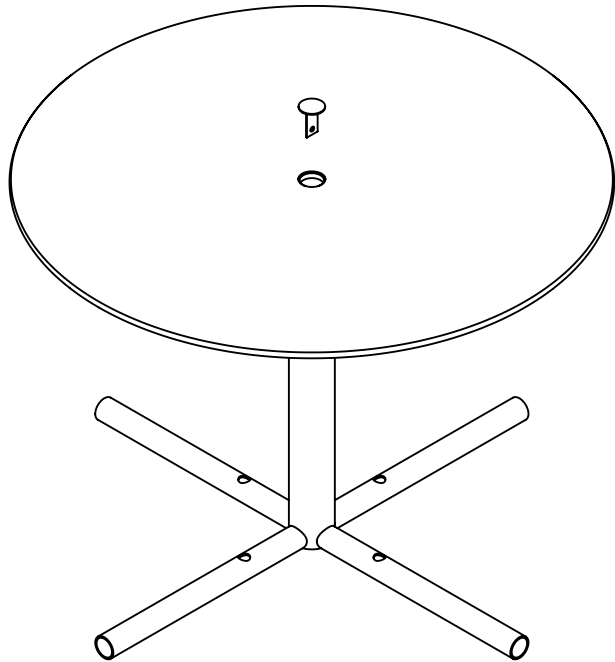
Use M10x12 bolts to fasten the tables to the center tube.

### 3: FIXATION OF DISC

Lastly, insert the disc and fixate it through the center tube. Use M8x100, washer and nut.

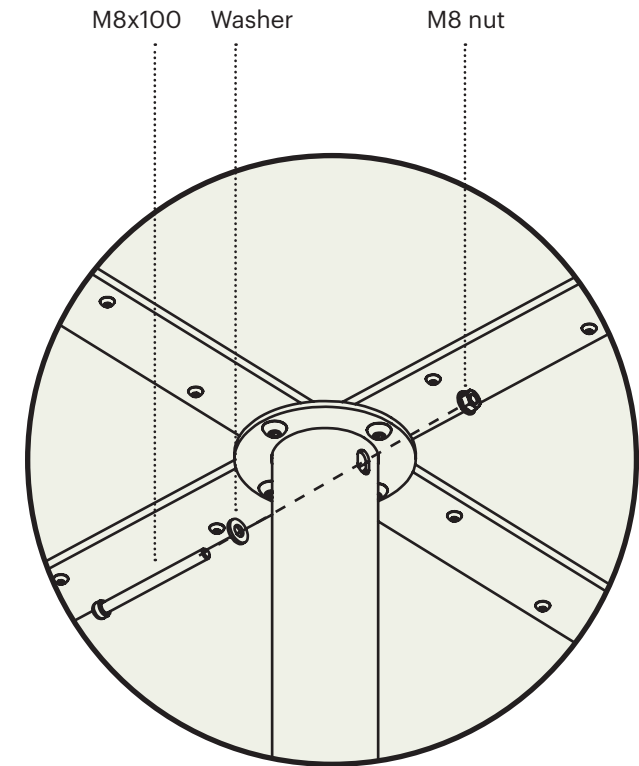
#### Insert the disc

The disc fits in the milled surface.



#### ATTENTION:

- The disc will skewed if the bolt is tightned too hard.



#### Fastening of the disc

Use M8x100 bolt, nut and washer to fixate.

## **CLEANING AND MAINTENANCE**

Clean the laminate surface with warm water and soft sponge.  
NEVER use the abrasive "green" side of sponges. Use an ordinary universal cleaner.

Difficult dirt must be removed with a nano sponge and water. Take a closer look at our website, or contact us for information.



---

Kigkurren 8A  
Islands Brygge  
DK-2300 Copenhagen

**out-sider.dk**  
**+45 77 343 341**