

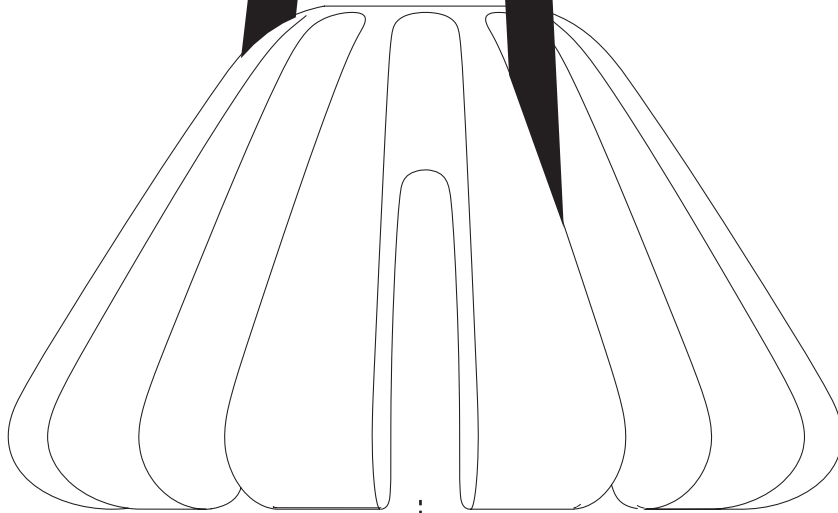
Mounting instructions

Jello # 313 / Jello Sun # 314



Placing Jello

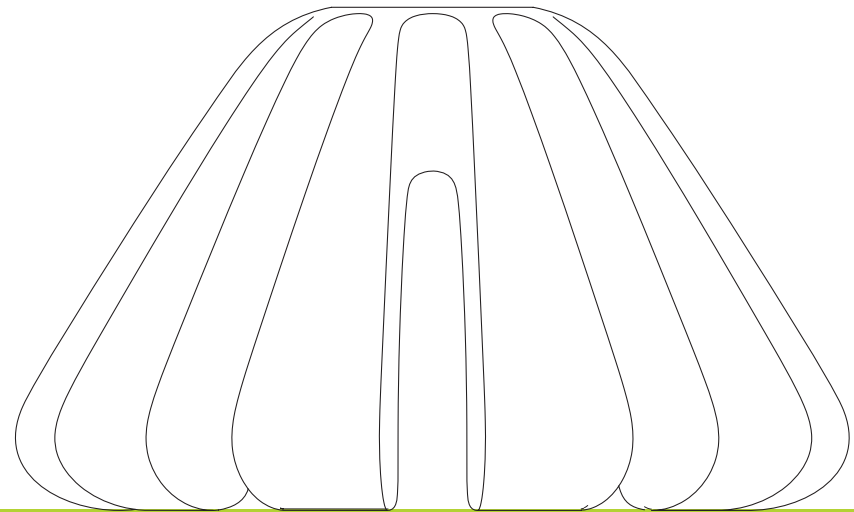
1.



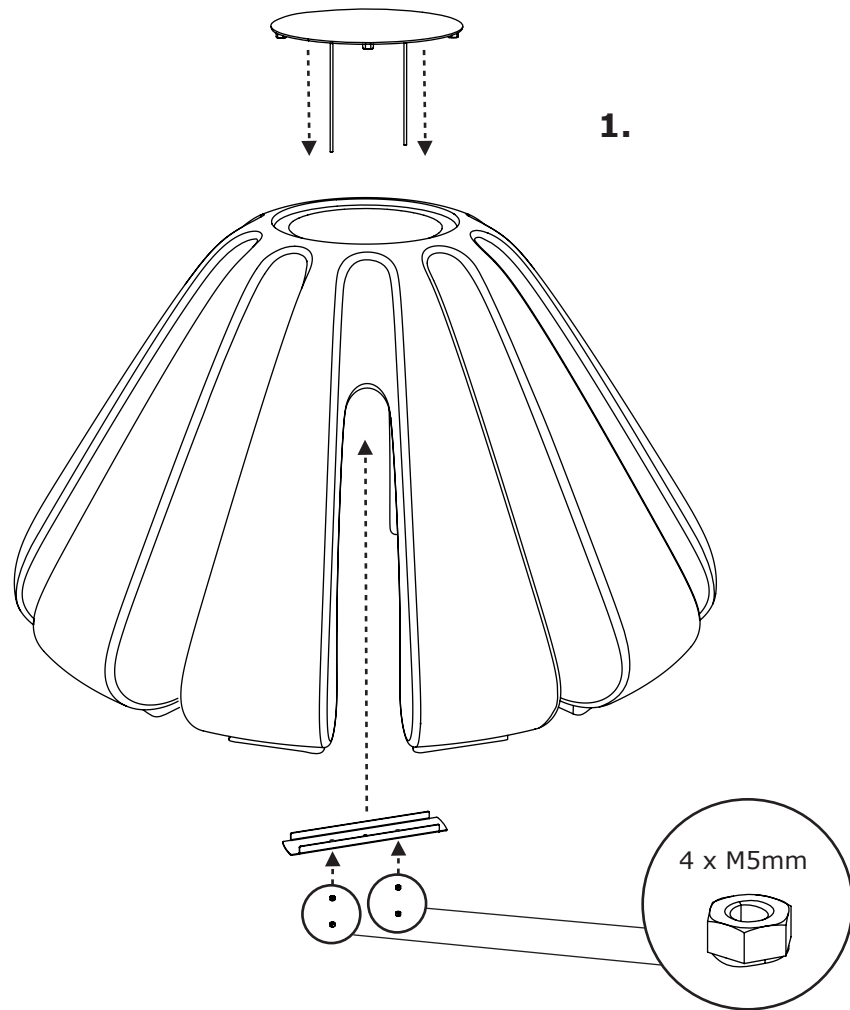
(Jello is to be placed gently onto the surface)

Placing Jello

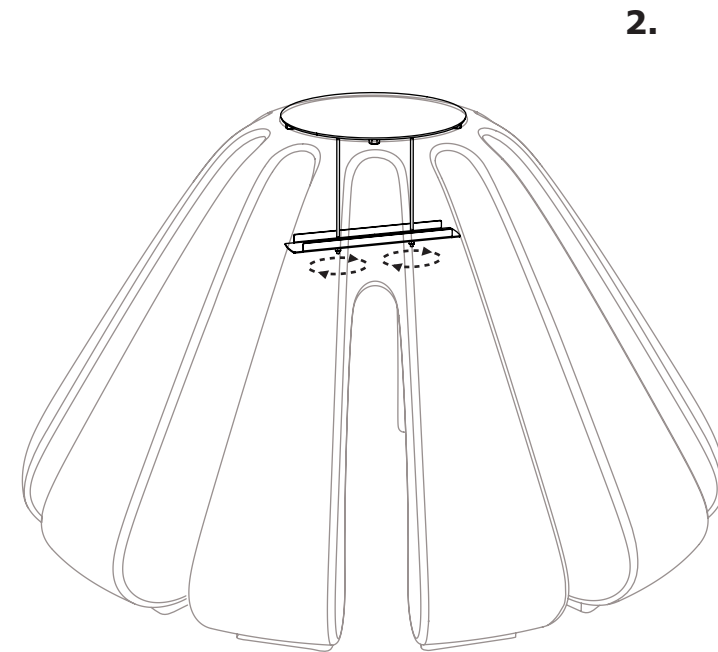
2.



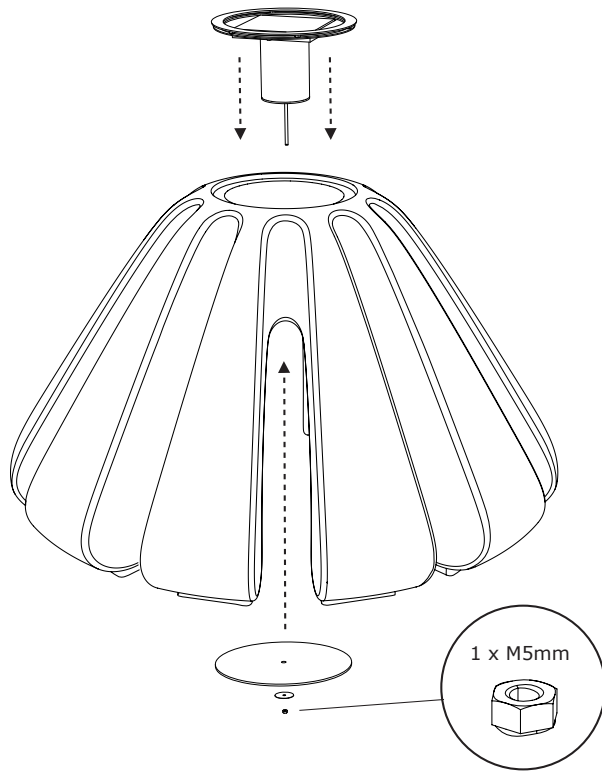
Mounting the top plate



Mounting the top plate



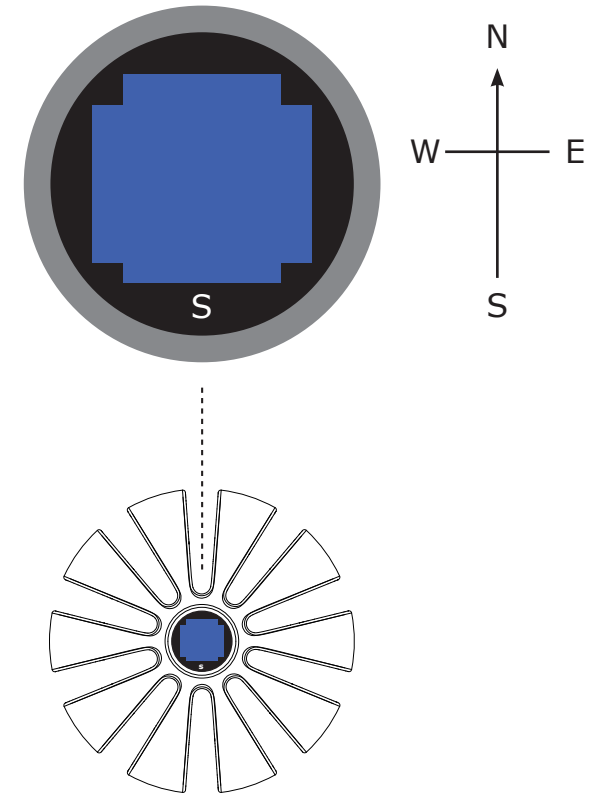
Mounting the solar cell



1.
Insert solar cell.



2.
Screw nut,
including washer.



3.
Make sure the **S** is
oriented due south.

Cleaning instructions

Jello comes in fiber concrete. It is recommended to treat Jello with a surface protection (impregnation) - this can be done at the factory or later through third party.

Pressure washers can be used with advantage to clean the product. This service is often offered by companies that remove graffiti.