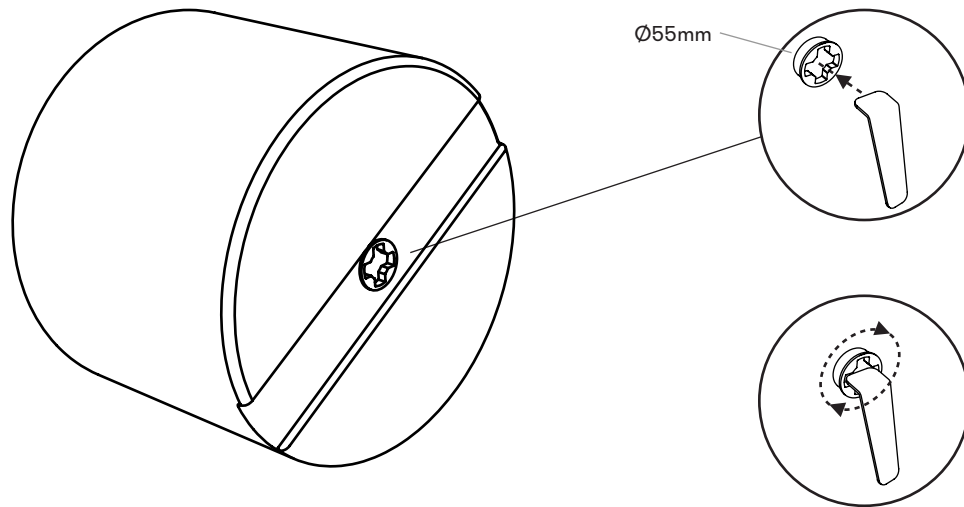


**HOPOP 500**  
**#157**

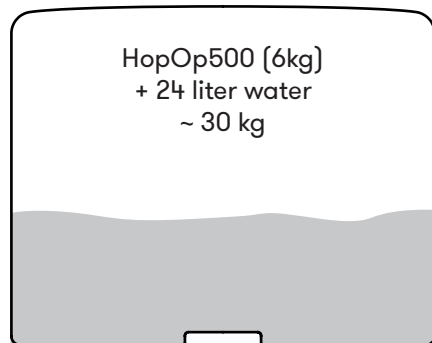
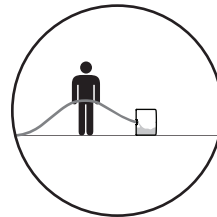
MOUNTING  
INSTRUCTION



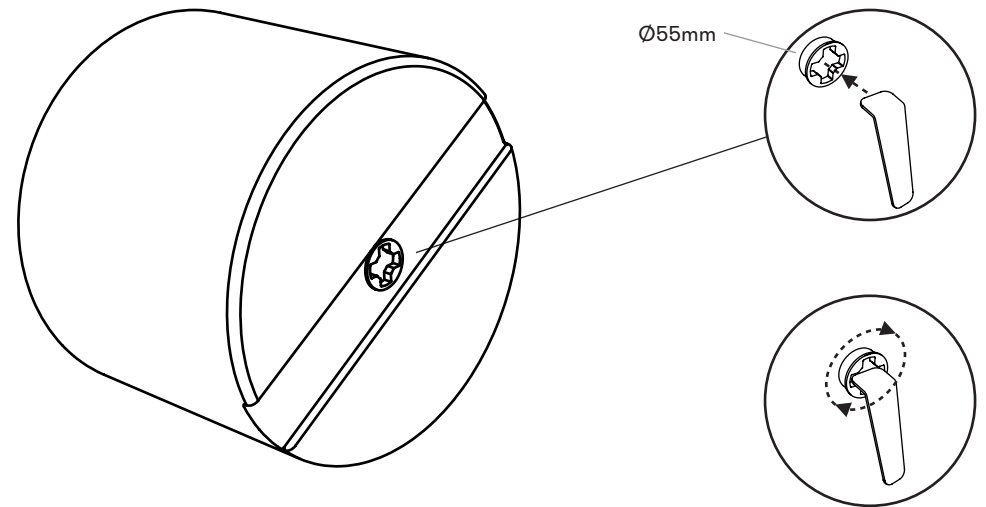
### FILLING WITH WATER



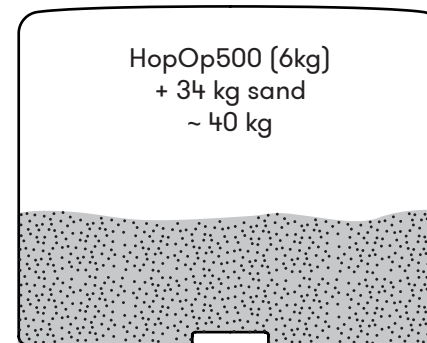
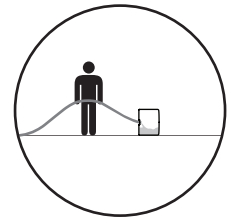
Volume = 70 liter  
1/3 volume ~ 24 liter



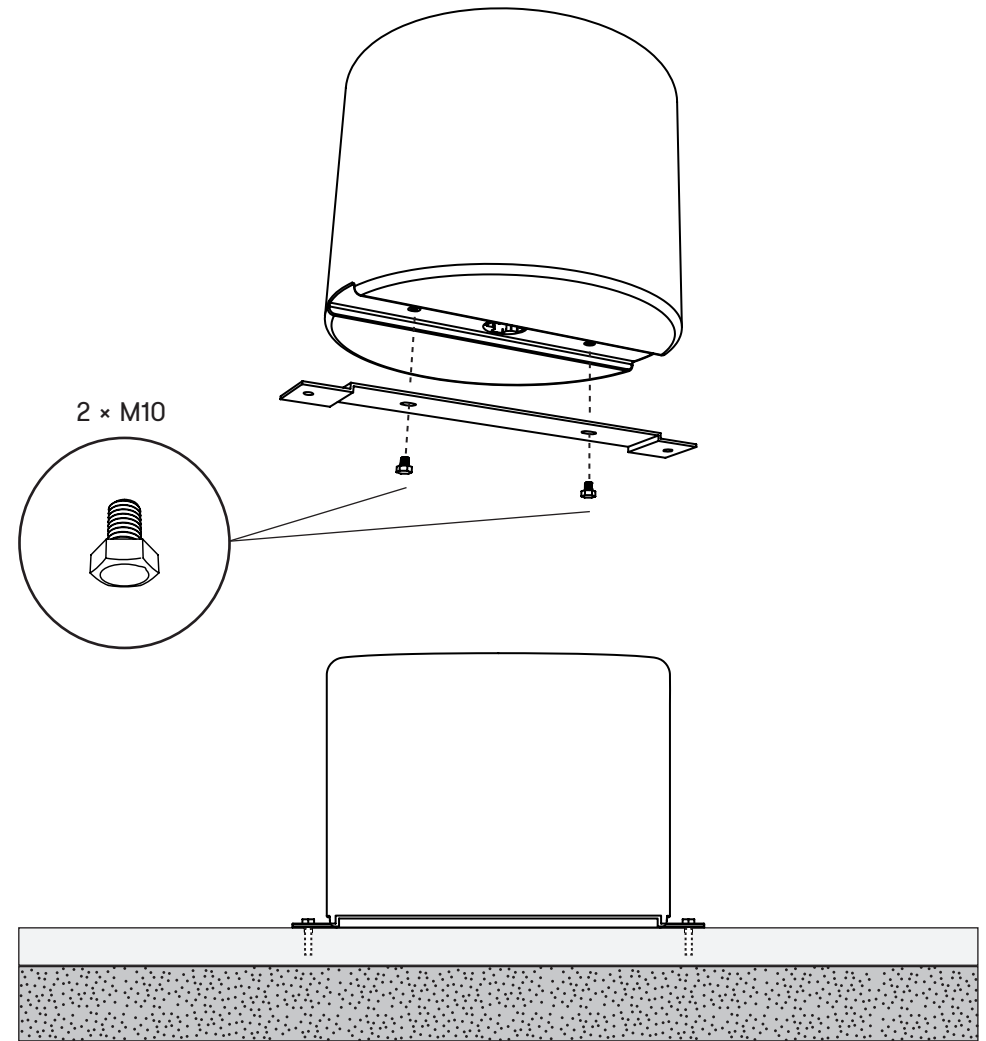
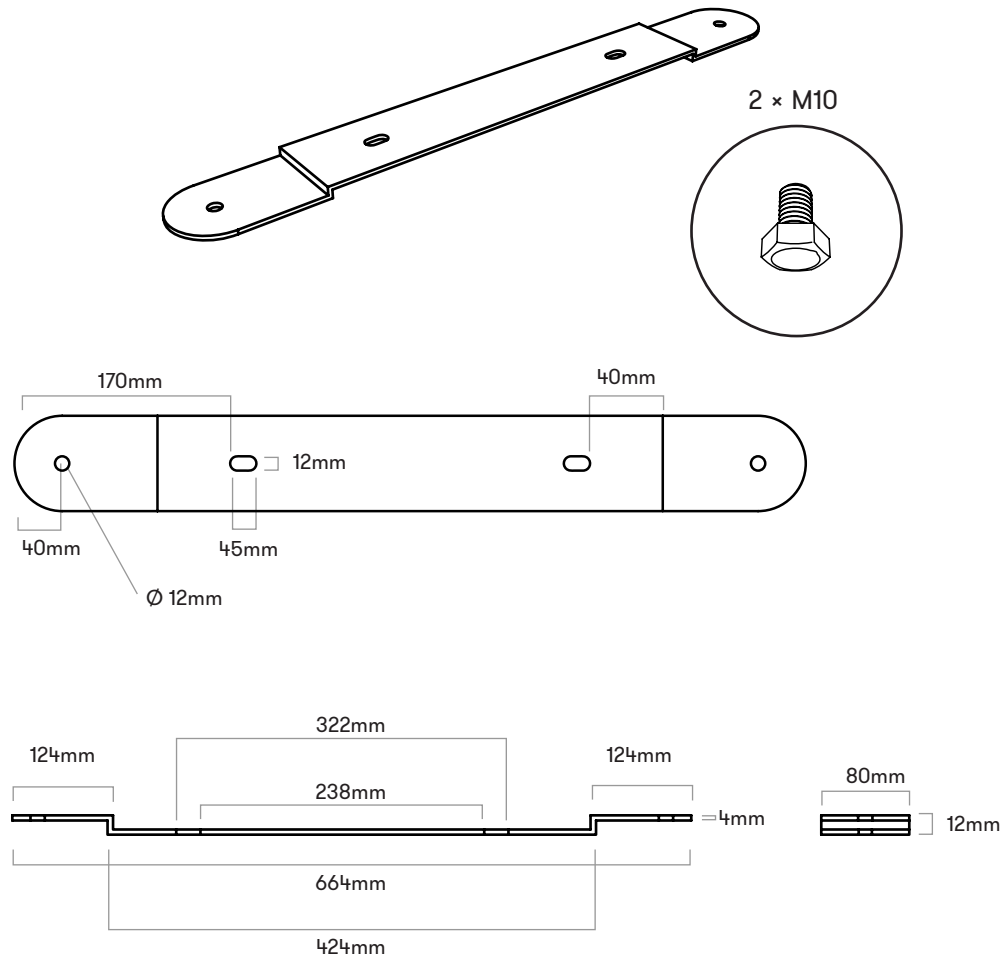
### FILLING WITH SAND



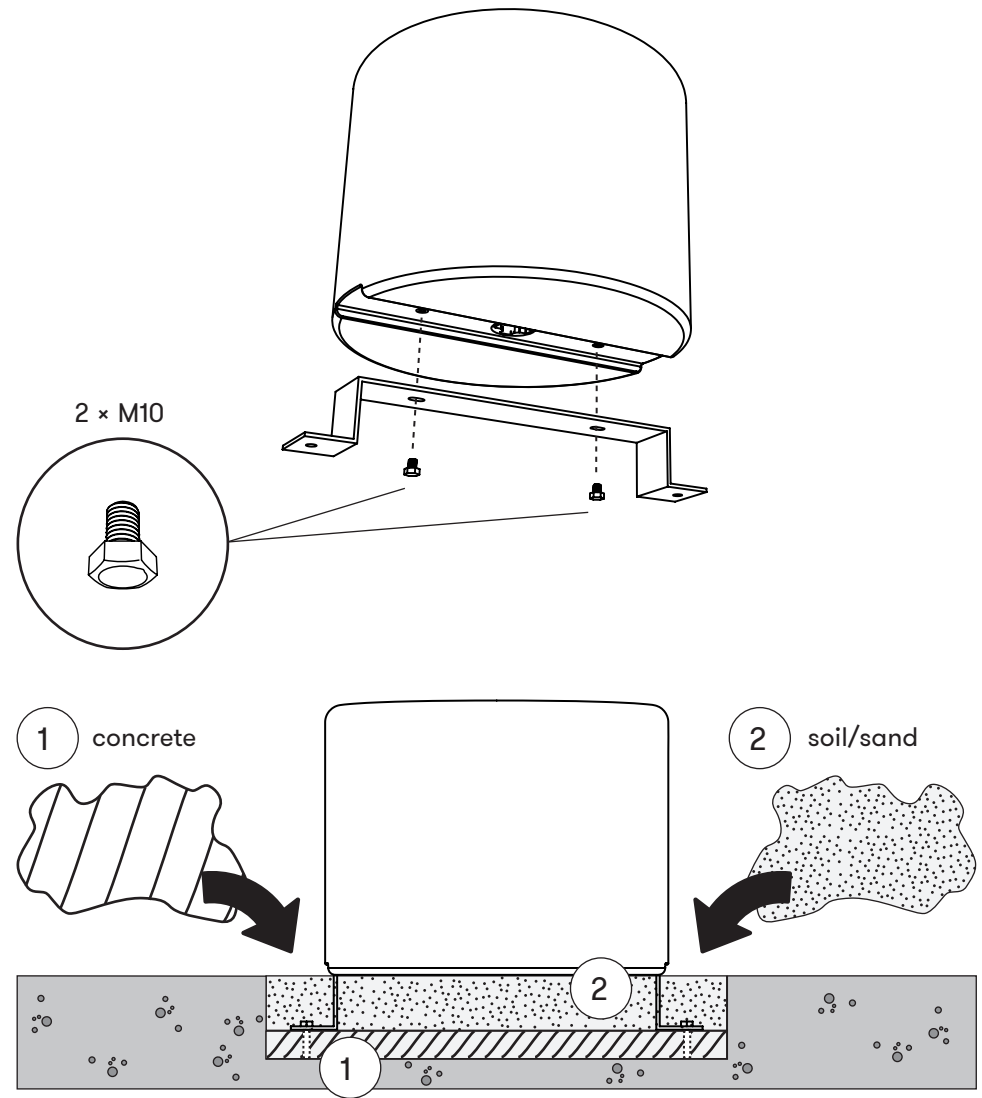
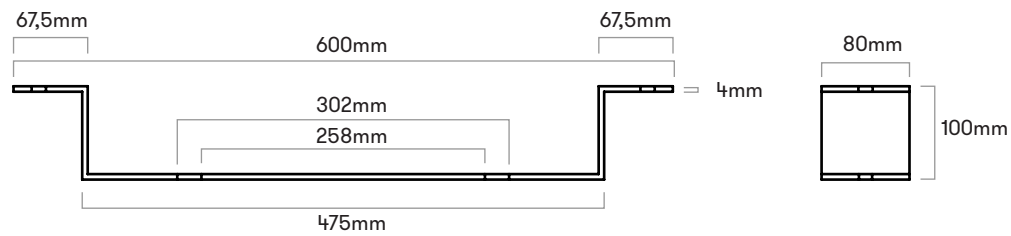
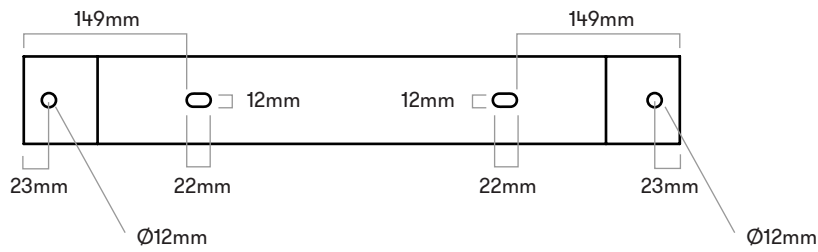
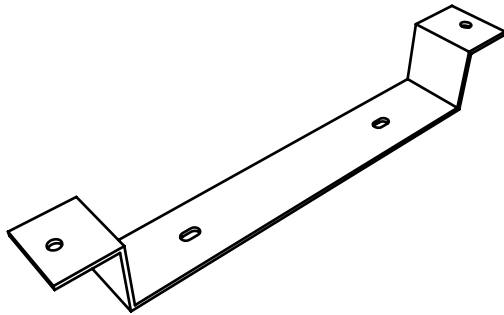
Volume = 70 liter  
1/3 volume ~ 34 kg sand



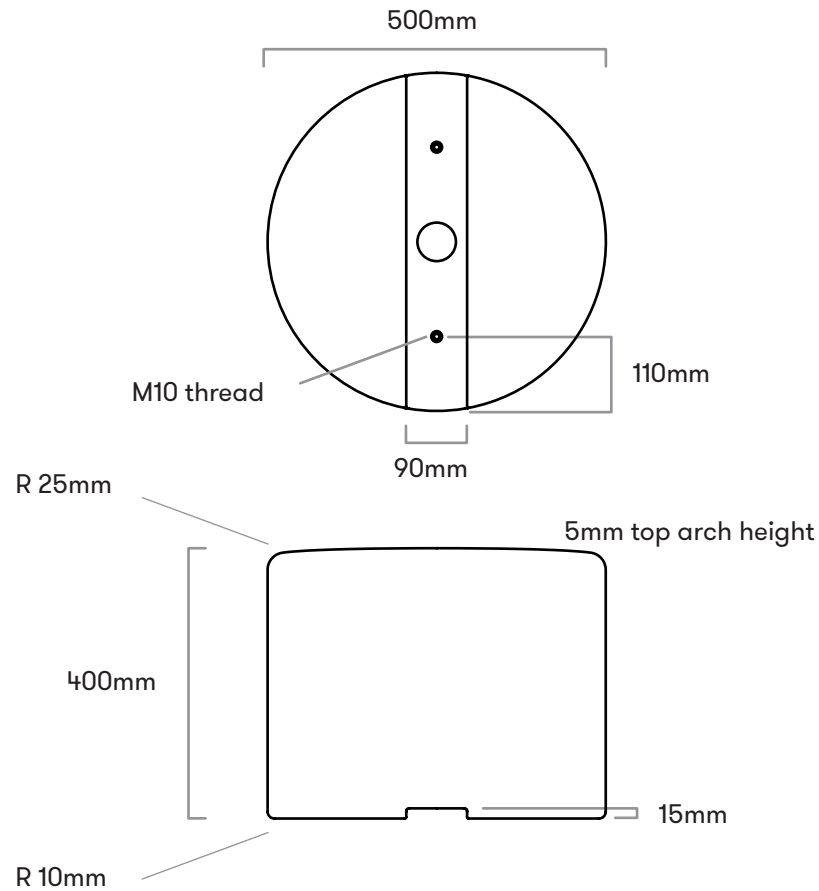
### B8 BRACKET FOR SURFACE FIXATION



### B9 BRACKET FOR GROUND FIXATION



## DIMENSIONS



## CLEANING INSTRUCTIONS

The material polyethylene withstands almost all detergents.

Polyethylene requires no maintenance.

The dyed polyethylene preserves the colour - minimal fading by the sun is to be expected.

Pressure washers can be used with advantage to clean the product.

## SLIP RESISTANT SURFACES

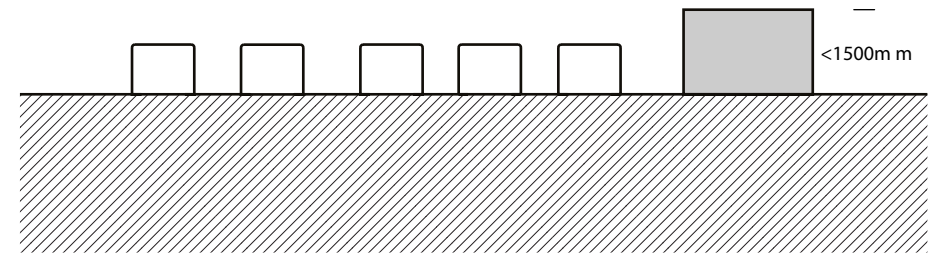
The products have a textured/granulated surface due to abrasive blasting of the mold. This process increases the friction, resulting in a less slippery surface.

## SHOCK ABSORBING SURFACE AND IMPACT AREA

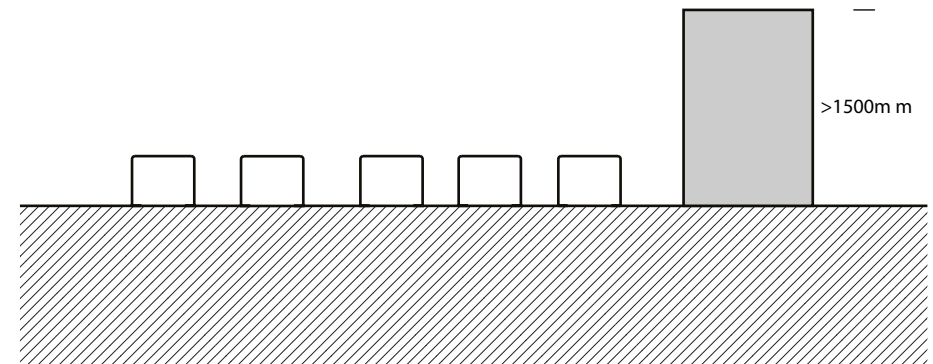
Shock absorbing surface and the extension of impact area.  
 In accordance with EN 1176:2008 we recommend an impact area of 1500mm to the side of the track. Distance between the HopOps can vary but shall be lessened in order to facilitate a safe transition.

Note: For a safe transition between HopOp and other equipment in an ongoing track, a max. difference in fall height of 600mm shall be observed.

Since overlap of the impact areas are permitted, the extension of the impact area shall be based on the highest fall height and calculated as follows: If fall height >1500mm the extension =  $\frac{2}{3}$  fall height + 500mm.



1) HopOp500 og sidestillede redskaber <1500mm



2) HopOp500 og sidestillede redskaber >1500mm