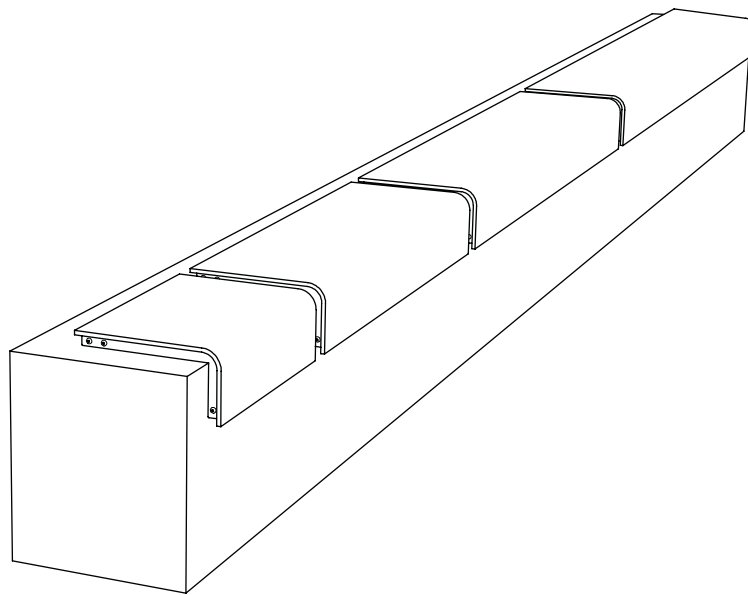


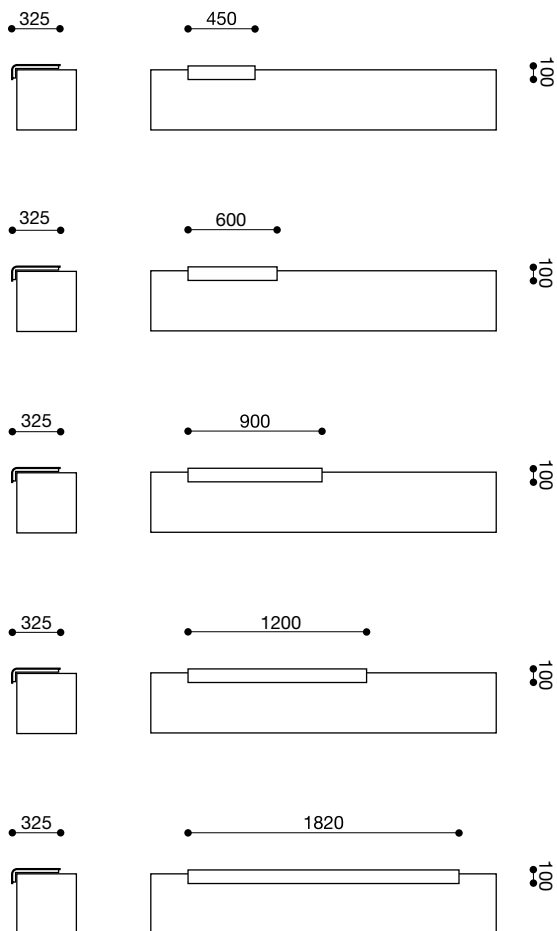
#128 Superfine seat

Technical Informations

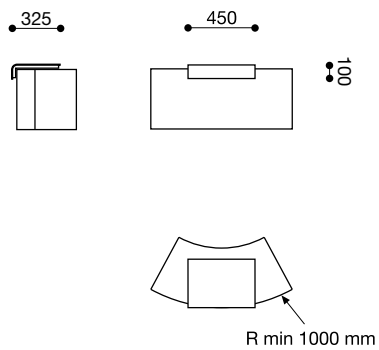
03.2016



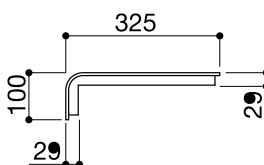
Dimensions



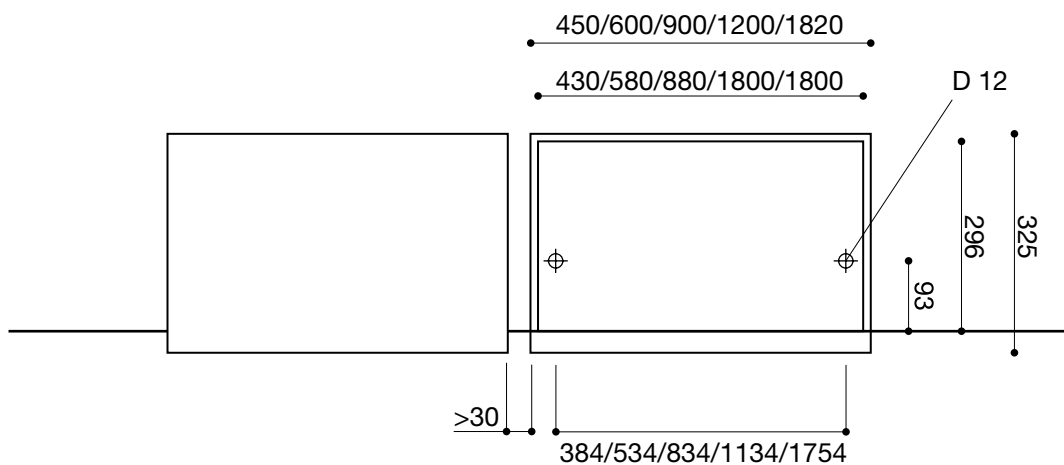
Convex



Dimensions



Hole pattern for mounting



- 1) Remove the 4 loose screws and separate the seat from the frame
- 2) Mount the frame on the subsurface. Warning: Heed the exterior dimensions
- 3) Attach the seat again
- 4) Screw the seat tight with the 4 loose screws

