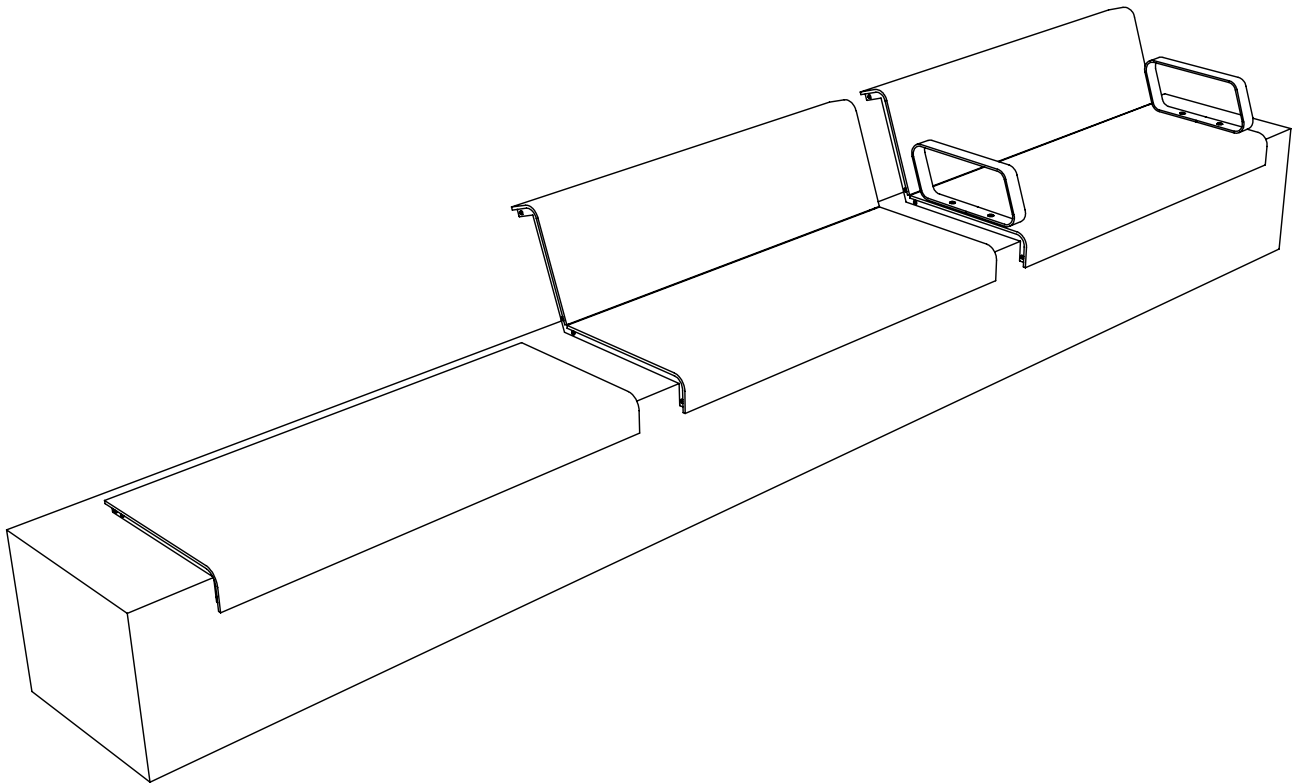
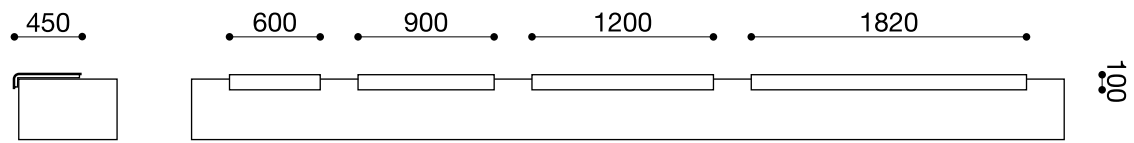
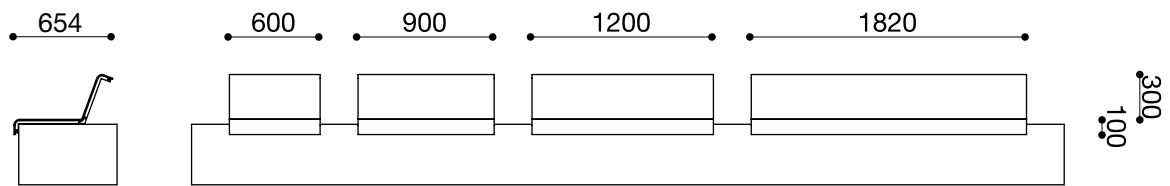
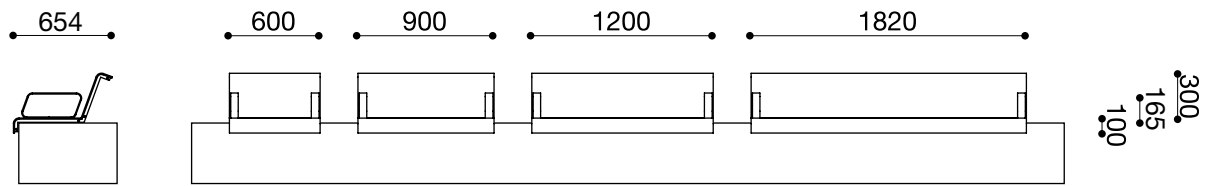


# Superfine seat XL

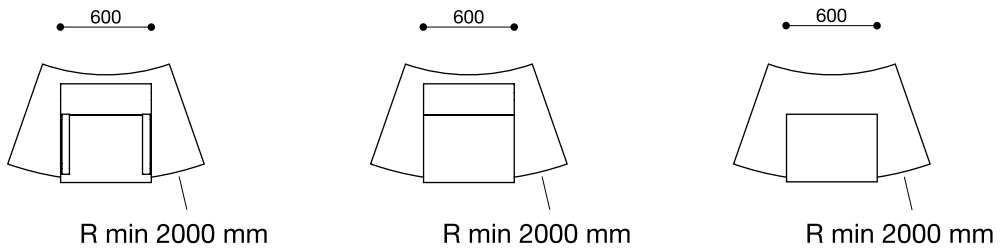
## Technical Informations



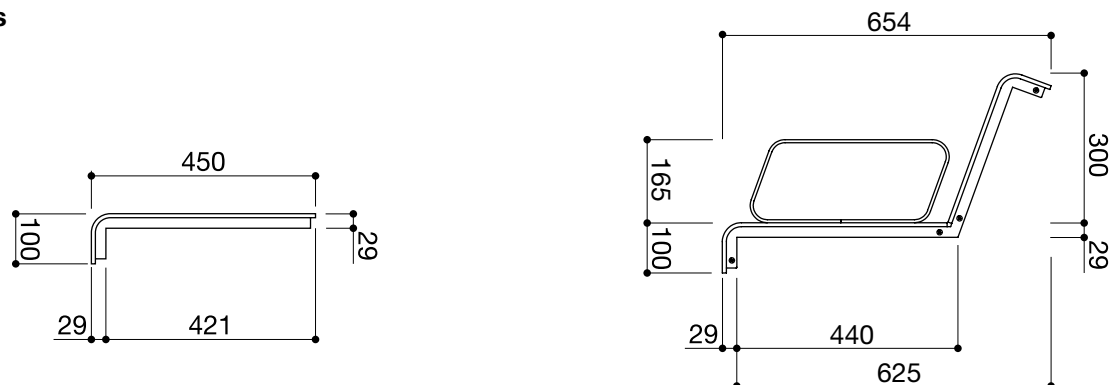
# Dimensions



**Convex**

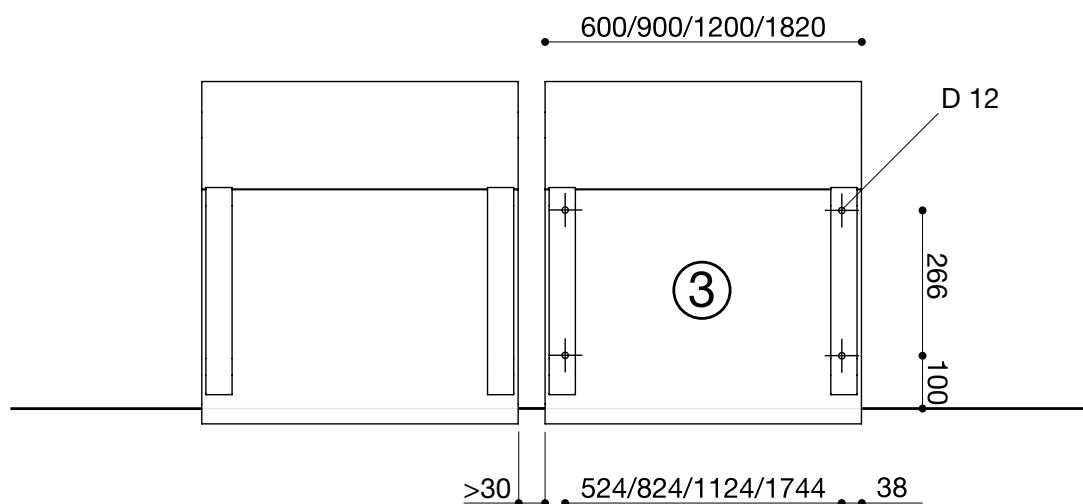
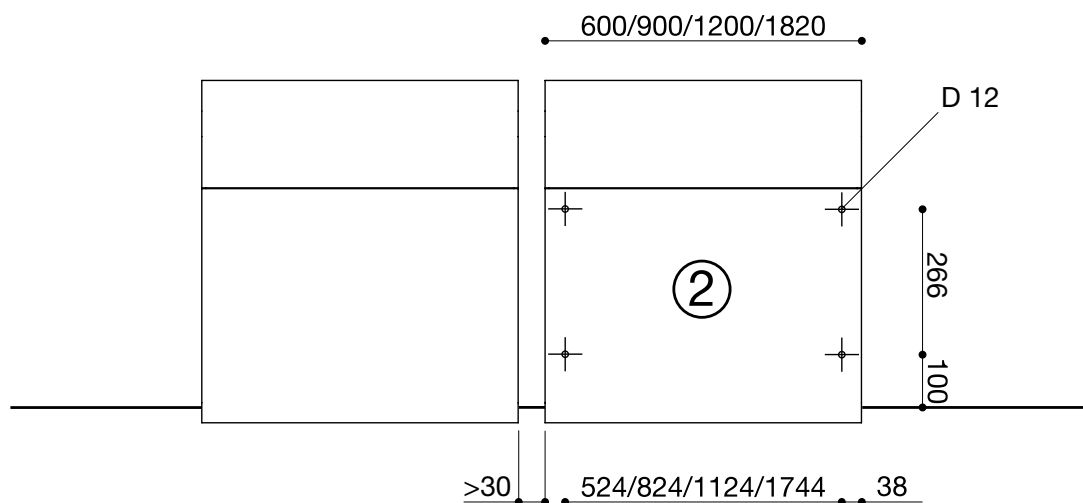
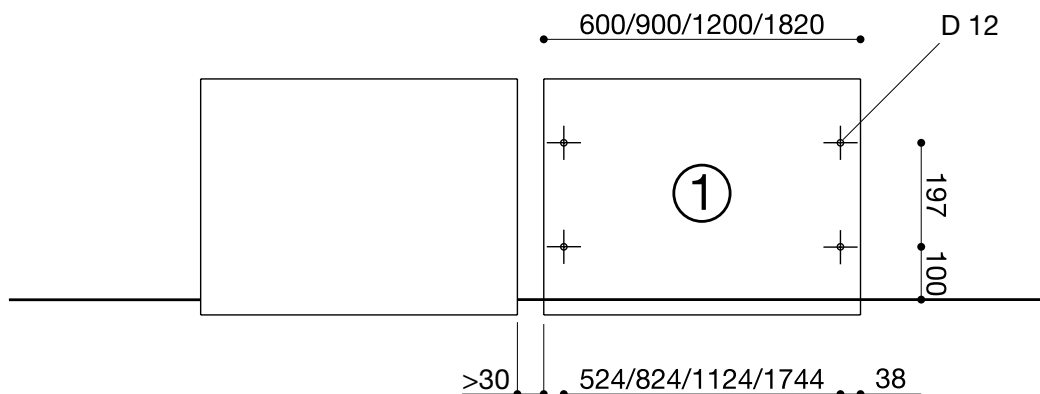


**Dimensions**



# Hole pattern for mounting

- 1) Element without backrest
- 2) Element with backrest without armrest
- 3) Element with backrest with armrest



## Mounting

- 1) Remove the 4 loose screws and separate the seat from the frame
- 2) Mount the frame on the subsurface. Warning: Heed the exterior dimensions
- 3) Attach the seat again
- 4) Screw the seat tight with the 4 loose screws

