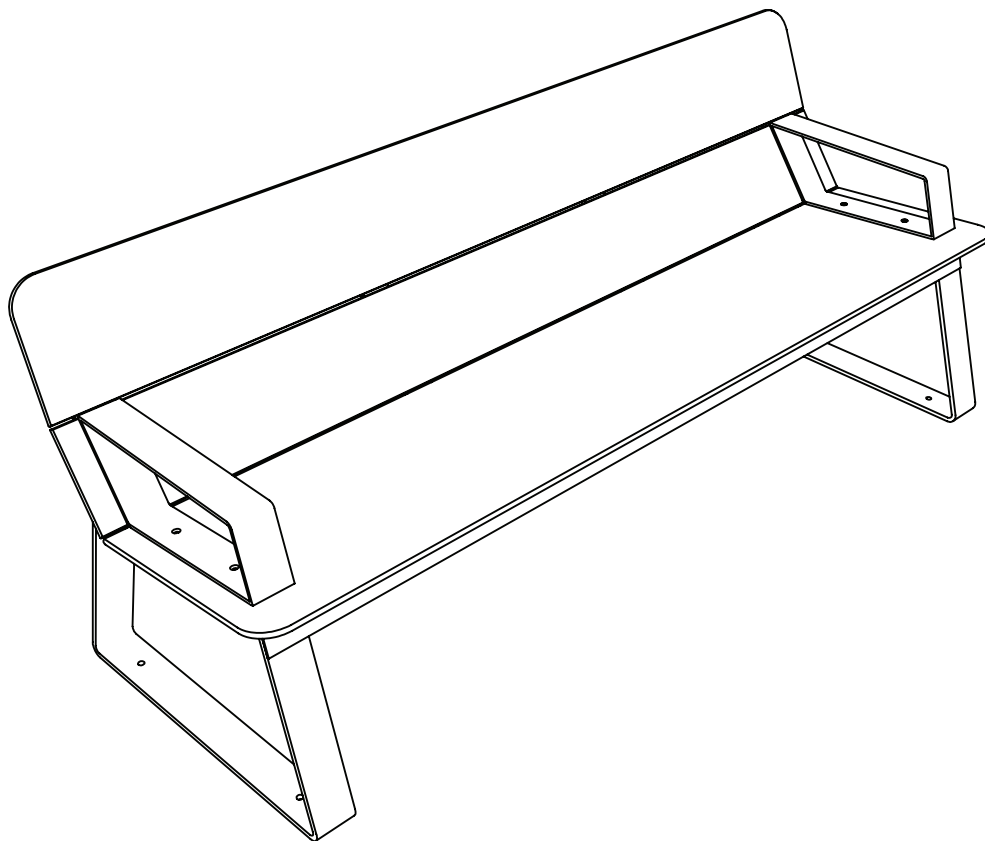
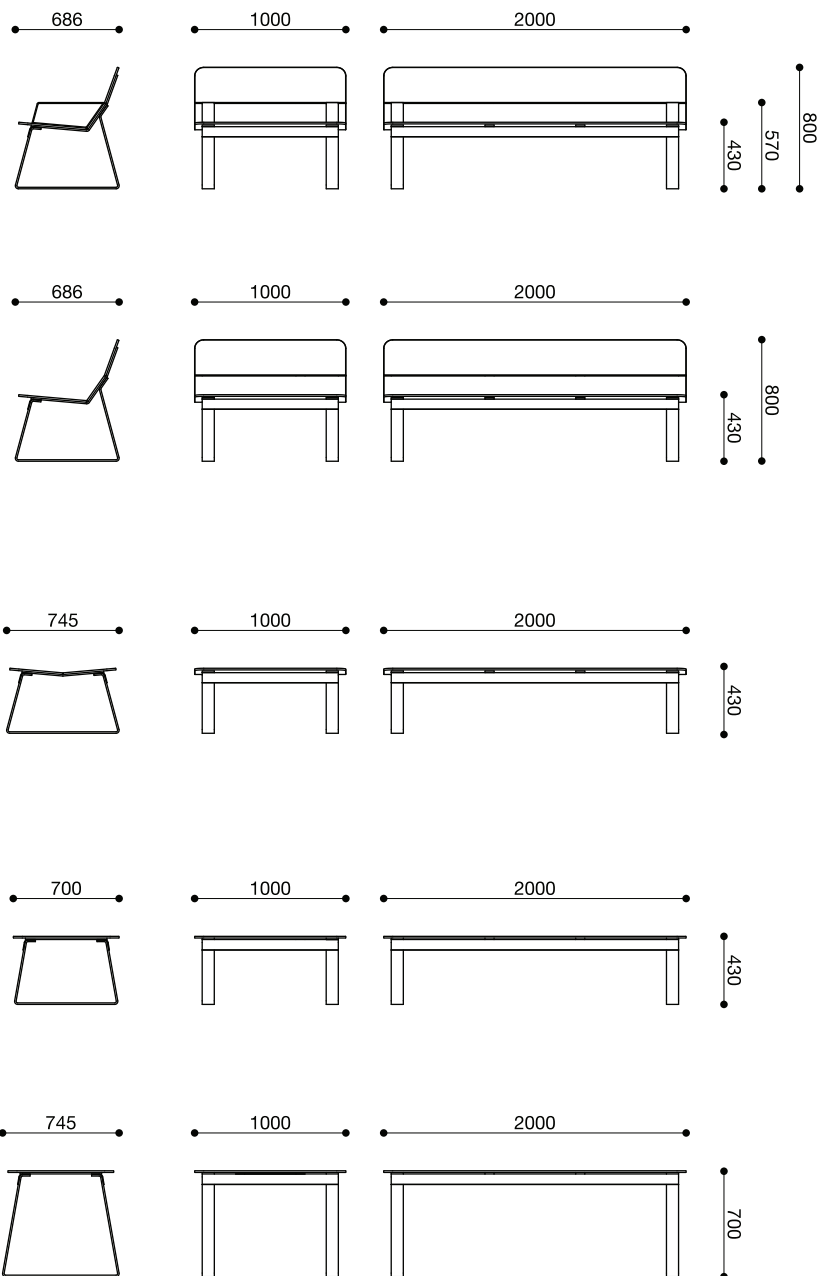


Superfly bench/table

Technical Informations

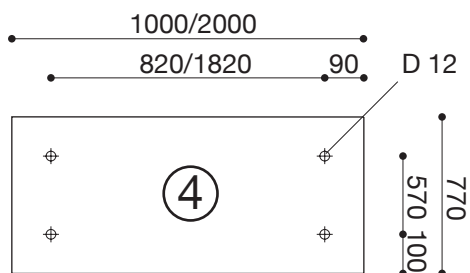
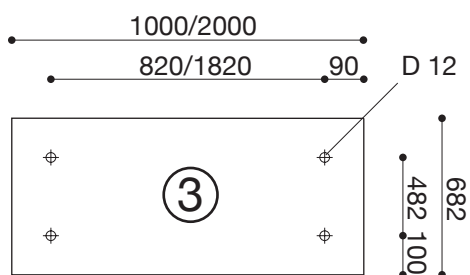
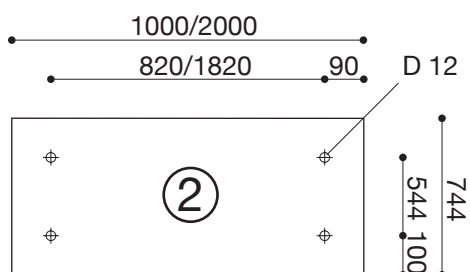
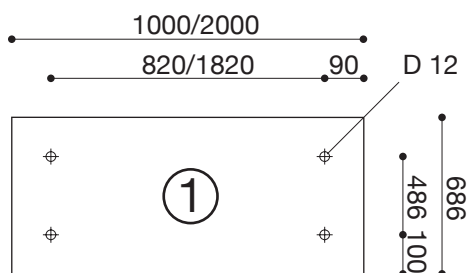


Dimensions



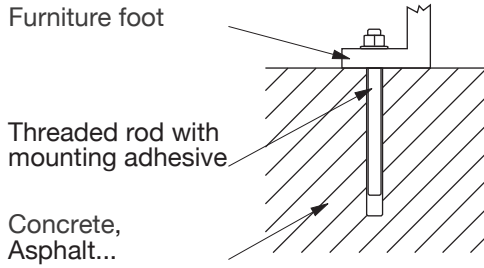
Hole pattern for mounting

- 1) With backrest
- 2) Without backrest
- 3) Table low
- 4) Table high

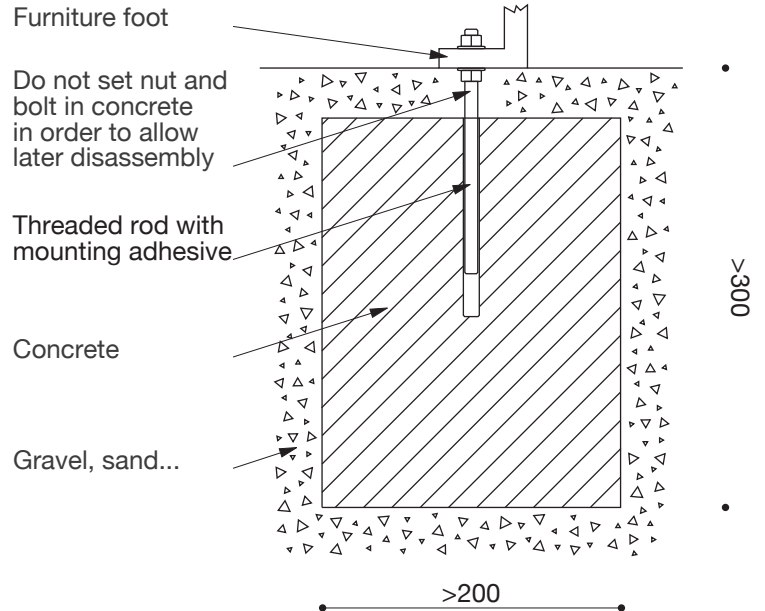


Mounting

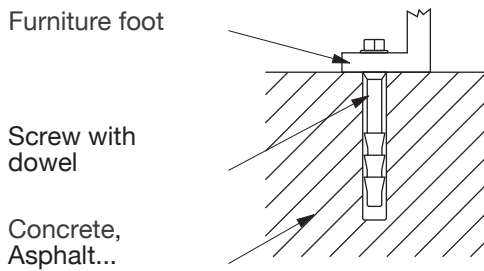
Without foundation
with threaded rod



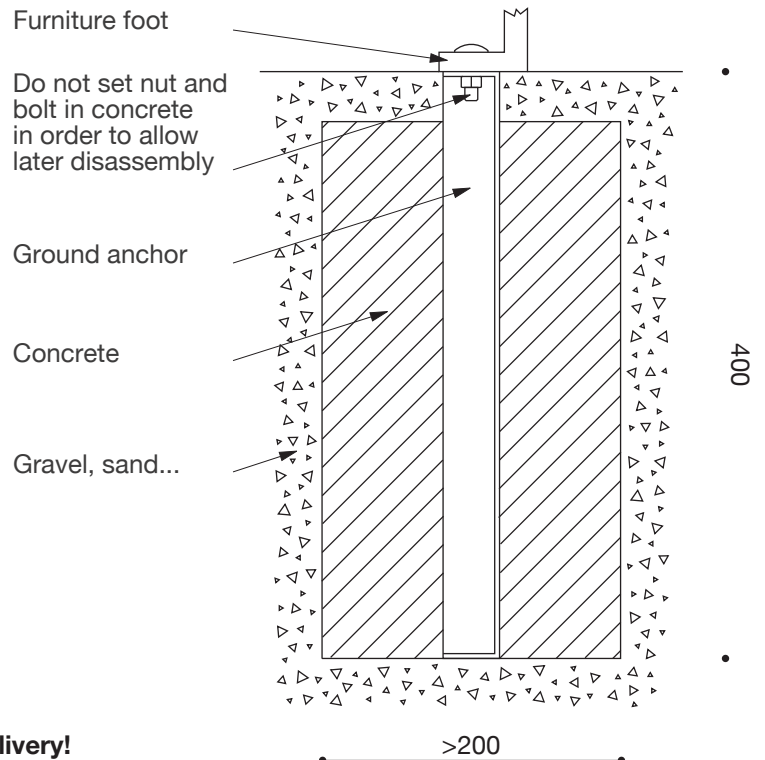
With foundation
with threaded rod



Without foundation
with screw and dowel



With foundation
with ground anchor



The fasteners are not included in the scope of delivery!