

# PLATEAU SEAT

#195 #200 MOUNTING GUIDE, SEAT + SEAT B-F



## PLATEAU SEAT

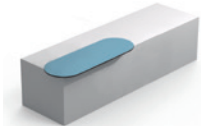
Developed by out-sider in collaboration with Holscher Design.

<b>INDEX:</b>	<b>PAGE</b>
Products and included items.....	<b>03</b>
Mounting of surface bracket.....	<b>04</b>
Mounting of seat on surface bracket .....	<b>05</b>
Mounting of seat Ø270 B-F.....	<b>06</b>
Mounting of disc.....	<b>07</b>
Mounting of side-table.....	<b>08</b>
Mounting of Point Sun.....	<b>09</b>
Mounting of legs.....	<b>10</b>
Cleaning.....	<b>11</b>

**Please note:**

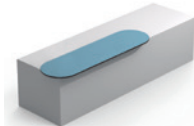
The drawings in this manual show PLATEAU Seat 900 - the small version. The exact same mounting principles are applied to the 1250 and the 1800 versions.

## PRODUCTS AND INCLUDED ITEMS



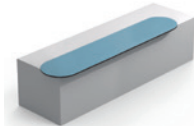
### Seat 900

- 2 pcs M8x100 allen key screw
- 3 pcs M8 nuts
- 6 pcs M8 washer
- 1 pcs M8x90



### Seat 1250

- 4 pcs M8x100 allen key screw
- 5 pcs M8 nuts
- 10 pcs M8 washer
- 1 pcs M8x90



### Seat 1800

- 4 pcs M8x100 allen key screw
- 5 pcs M8 nuts
- 10 pcs M8 washer
- 1 pcs M8x90

## ADD-ONS

*To be ordered separately*



### Side Table (#200)

- 1 pcs M8x30 allen key screw

#### Tools (not included)

- Allen key set
- Socket wrench set
- Screws and bolts for the mounting of the surface bracket (depends on customer wishes and surface, see p.05 and 10)



### Seat Ø270 B-F

Assembled at delivery



### Seat 900 B-F

- 3 pcs M8 nuts
- 6 pcs M8 washer
- 4 pcs M8x16 (for legs)
- 1 pcs M8x90



### Seat 1250 B-F

- 5 pcs M8 nuts
- 10 pcs M8 washer
- 4 pcs M8x 16 (for legs)
- 1 pcs M8x90



### Seat 1800 B-F

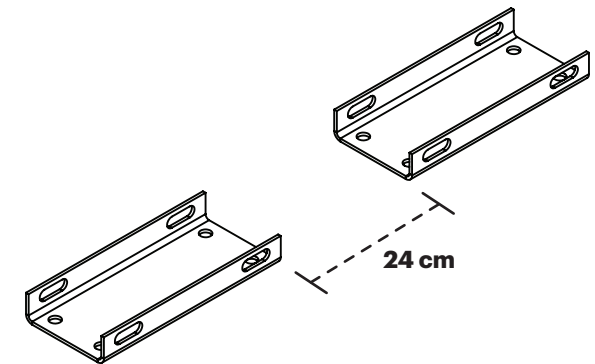
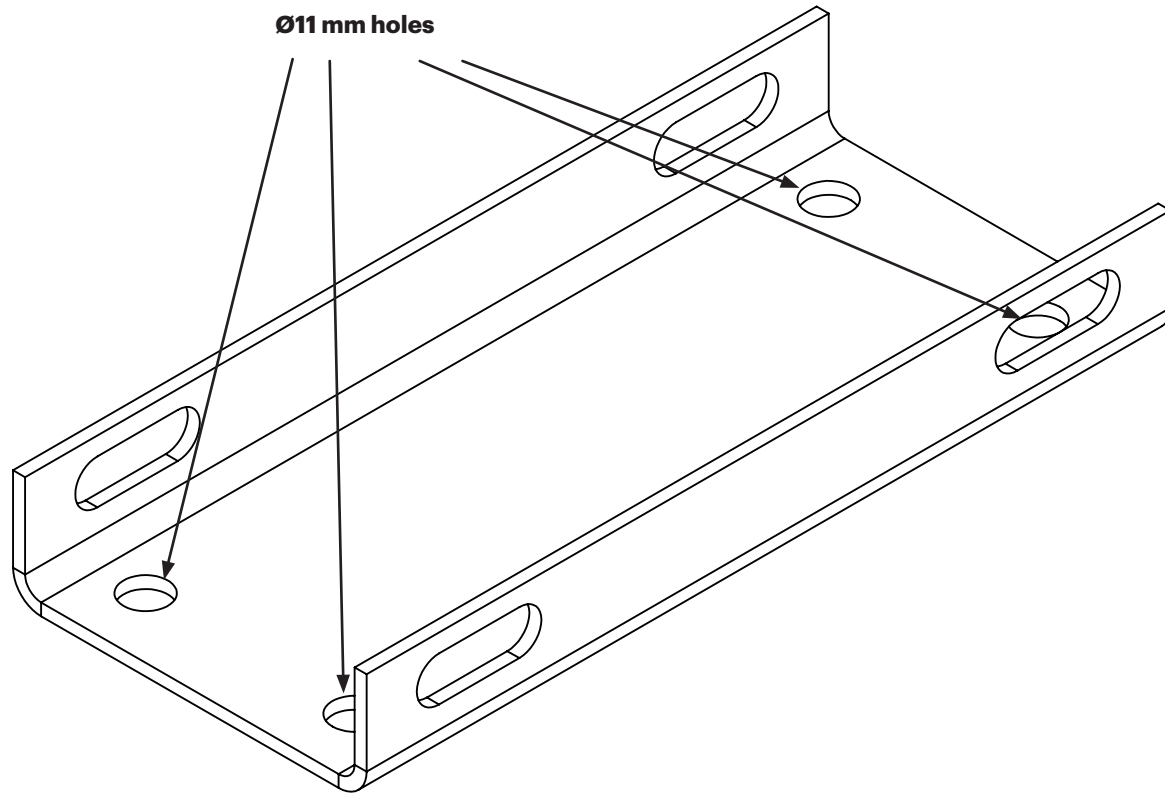
- 5 pcs M8 nuts
- 10 pcs M8 washer
- 4 pcs M8x16 (for legs)
- 1 pcs M8x90



### Point Sun f. Seat (#326)

## MOUNTING OF SURFACE BRACKET

The surface bracket needs to be mounted on a surface before its assembled with Seat. The bracket has four holes made ready for surface mounting. Use your preferred bolts or screws to mount the bracket.

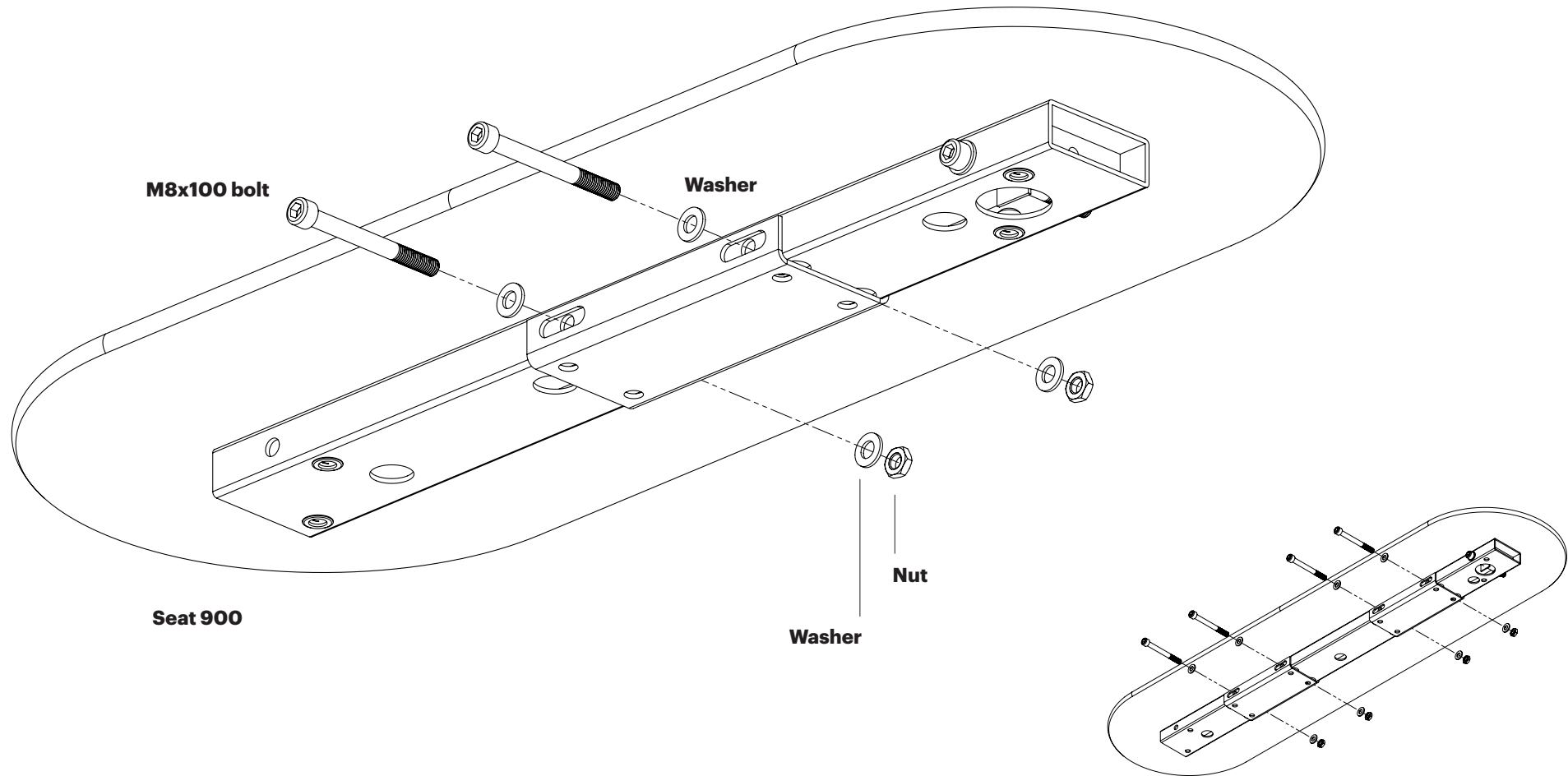


### Seat 1250 and Seat 1800

Make sure the two brackets have the correct distance (24cm) between them, before mounting them to the surface.

## MOUNTING OF SEAT ON SURFACE BRACKET

Use the included M8 x 100mm allen key bolts to fix the sitting surface to the fixated surface bracket. Tighten the bolts and nuts with allen key no. 6. and a 17mm spanner tool.



### Seat 1250 and Seat 1800

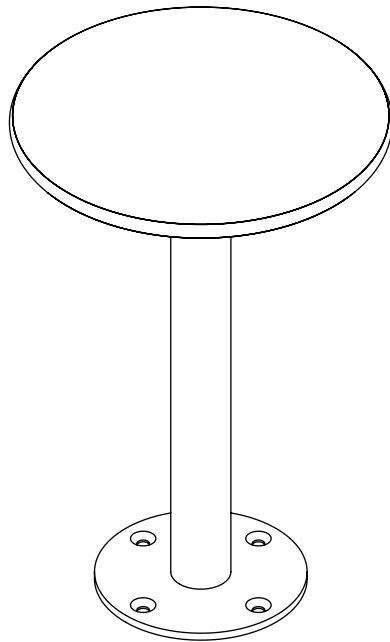
Use two brackets, same principle.

## MOUNTING OF SEAT Ø270 B-F

The seat ø270 comes fully assembled. The F version can be fixated to any hard surface with M8-M10 countersunk bolts. The B version can be burried and fixated into the ground. Please see our guide here.

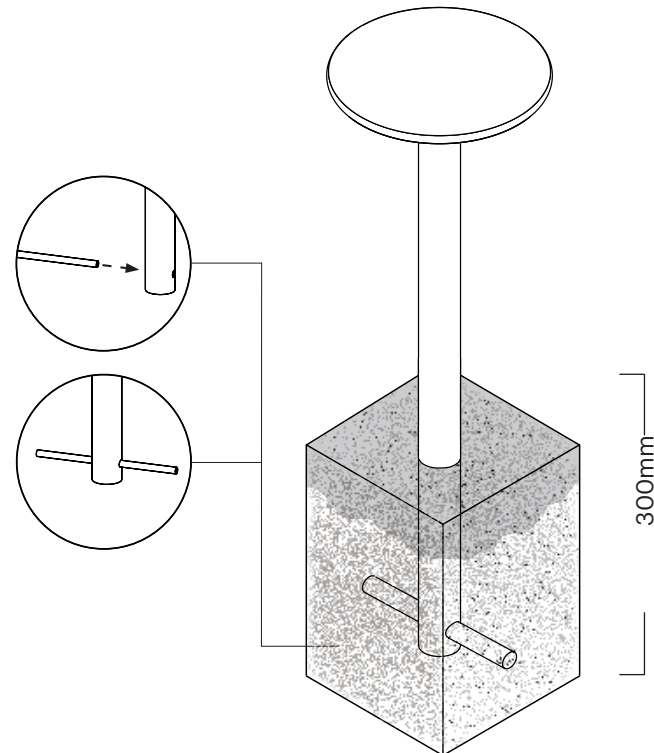
### SURFACE FIXATION

out-sider does not provide any tools or materials for mounting the furniture.



### GROUND FIXATION

When using Ø270 version B, out-sider does not provide any tools or materials for mounting the furniture.



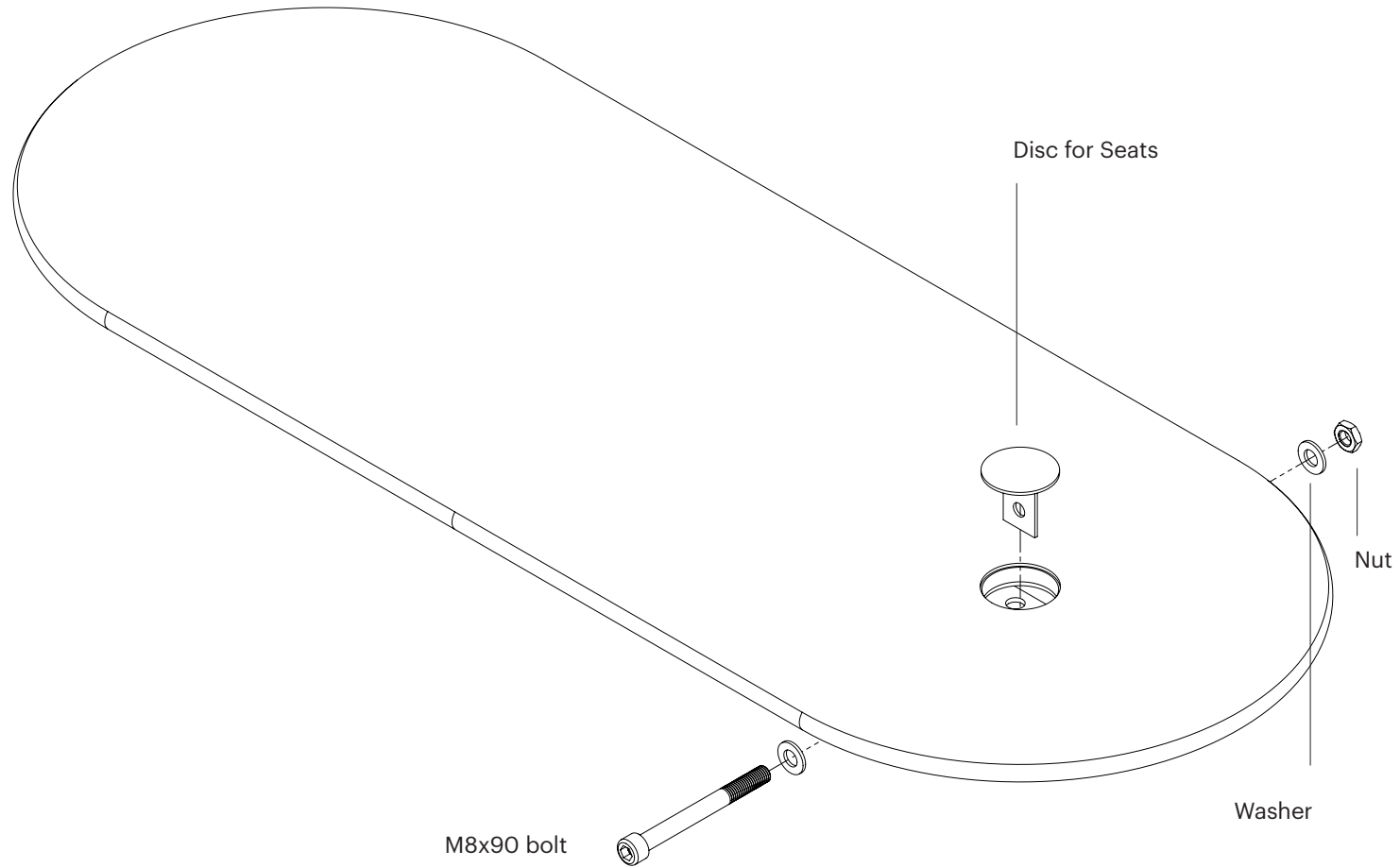
1: Escavate hole.

2: Place leg 300mm below ground surface and fill with e.g. concrete and top with soil.

Optional: Mount steel rod (max Ø20mm, and not included) in bottom of the tube for stronger fixation.

## MOUNTING OF DISC

Use the included M8 x 90 mm unbraco bolts to fix the disc into place. Allen key 6, and a 17mm spanner tool.

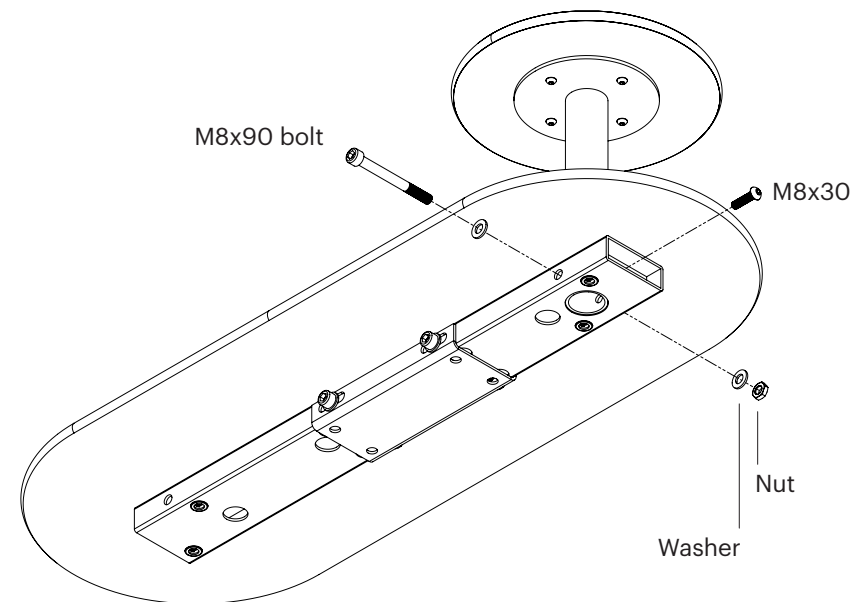
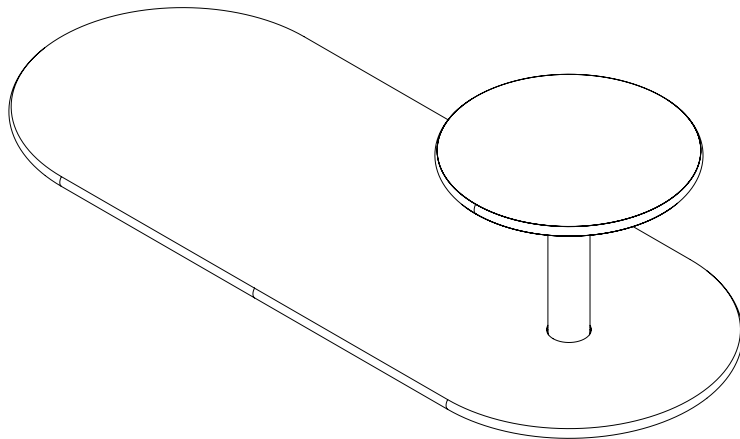


# PLATEAU **SIDE-TABLE**

## MOUNTING OF SIDE-TABLE ON SEAT

Lower Side-table into the circular slot. Rotate Side-table in such a way, that the two holes align with the steel frame. Reuse the bolts, nut and the washer from your previous disassembly of the disc-tube.

**Seat 900, 1250, 1800**  
Side-table mounted on Seat



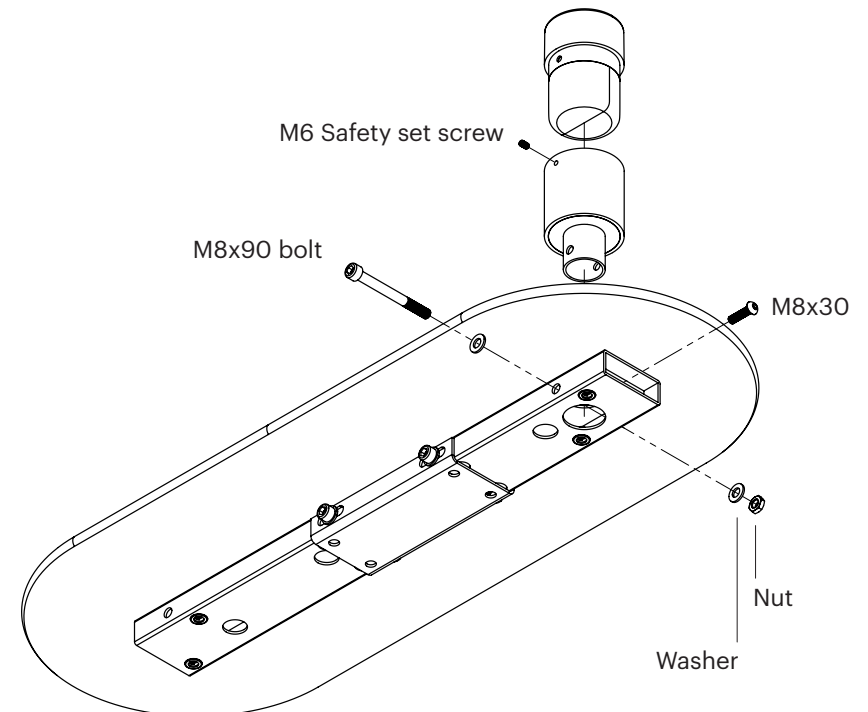
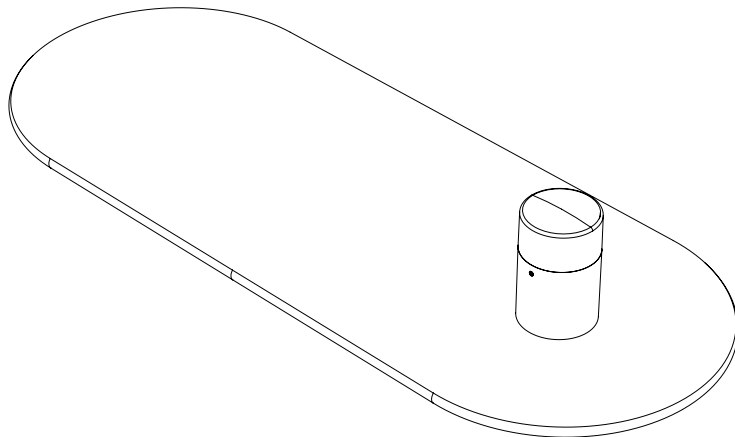


# PLATEAU **POINT SUN**

## MOUNTING OF POINT SUN

Place the Point Sun light unit in the base, align the holes and tighten the safety set screw. Then place the whole unit in the hole and use the M8x90 bolt to fix it to the metal frame underneath. Use the M8x30 to fixate it from the side, do not overtighten.

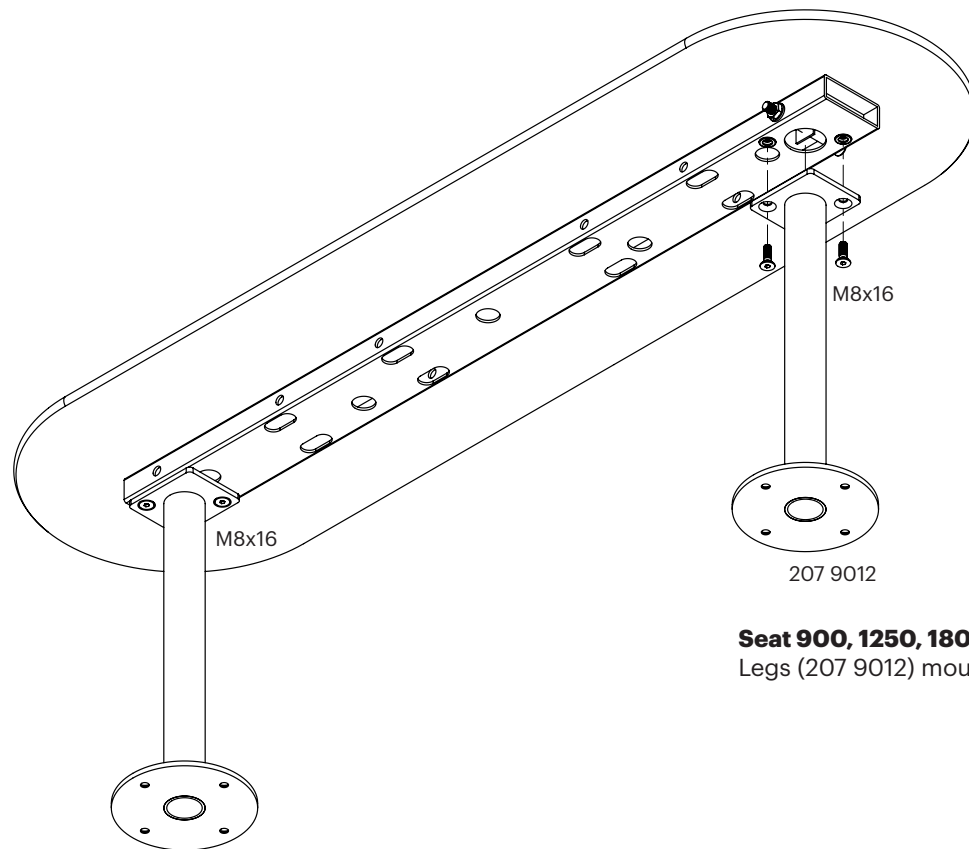
**Seat 900, 1250, 1800**  
Side-table mounted on Seat



# PLATEAU SEAT 900/1250/1800 B-F

## MOUNTING OF LEGS

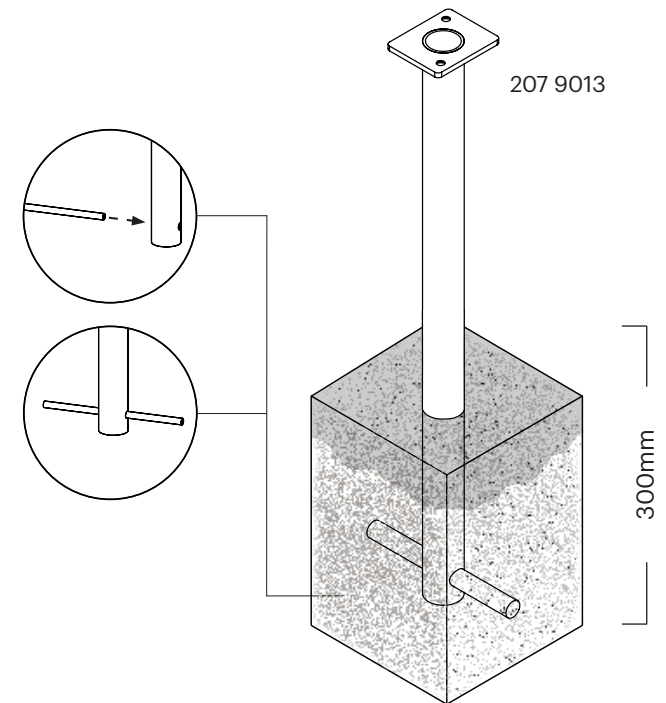
Use 4 x M8 x 16 to fasten the two legs (207 9012). out-sider does not provide tools and materials for surface mounting through the top flange, but recommends countersunk M8-M10 bolts.



**Seat 900, 1250, 1800**  
Legs (207 9012) mounted on Seat

## GROUND FIXATION

When using Legs B (207 9013)



1: Excavate hole.

2: place leg 300mm below ground surface and fill with e.g. concrete and top with soil.

Optional: Mount steel rod (max Ø20mm, and not included) in bottom of the tube for stronger fixation.

## CLEANING

Clean the laminate surface with warm water and a soft sponge.  
NEVER use the abrasive "green" side of the sponge. Use an ordinary universal cleaner.

Difficult dirt must be removed with a nano sponge and water. Please take a closer look at our website, or contact us for information.



---

Kigkurren 8A  
Islands Brygge  
DK-2300 Copenhagen

**out-sider.dk**  
**+45 77 343 341**