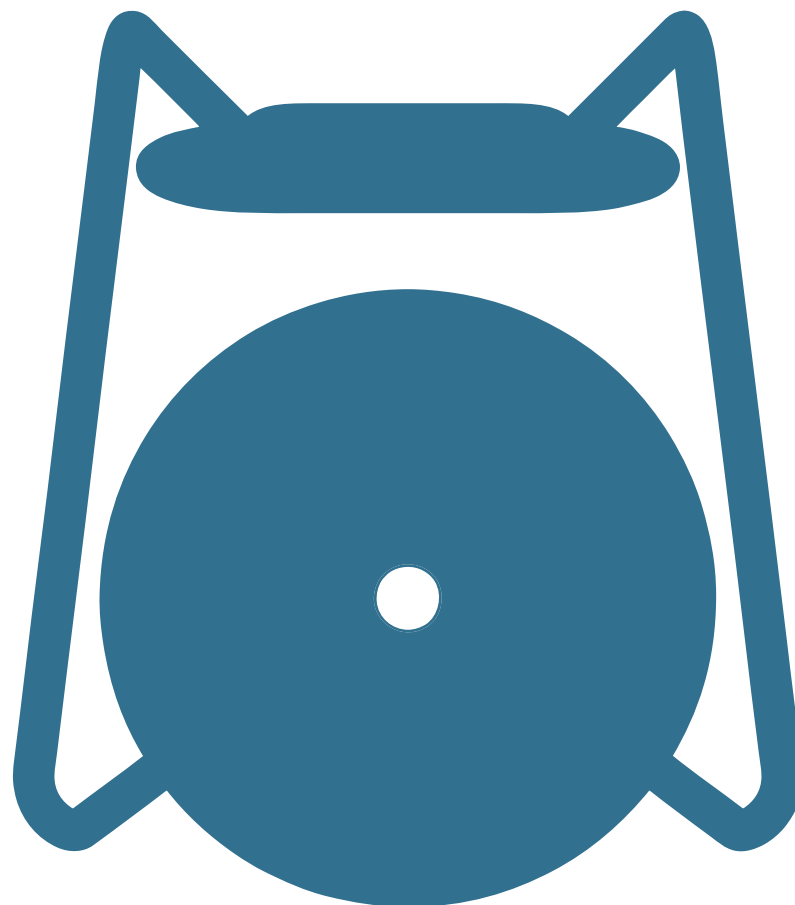


PLATEAU CITY CHAIR

#202 MOUNTING GUIDE



outsider

Kigkurren 8A Islands Brygge DK-2300 Copenhagen · outsider.dk

PLATEAU CITY CHAIR

Developed by out-sider in collaboration with Holscher Design 2021.

INDEX:	PAGE
Item list	02
Fixation of armrest and side table.....	03
Linking two or more chairs.....	04
Surface mounting.....	05
Cleaning and maintenance	06

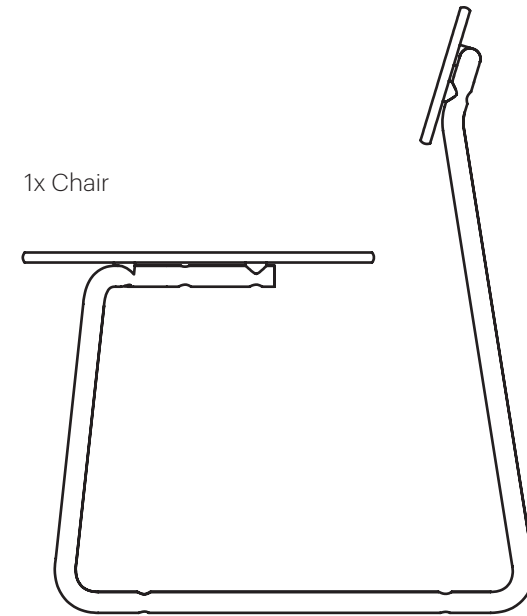
ITEM LIST

Plateau City Chair

- No additional assembly required

Tools (not included)

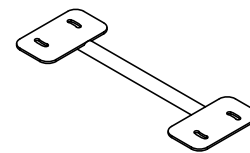
- Allen key set



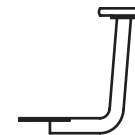
ADD-ONS

Add-ons are not included with standard chair

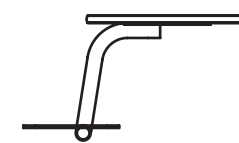
1x Connector



2x Armrest



1x Side table



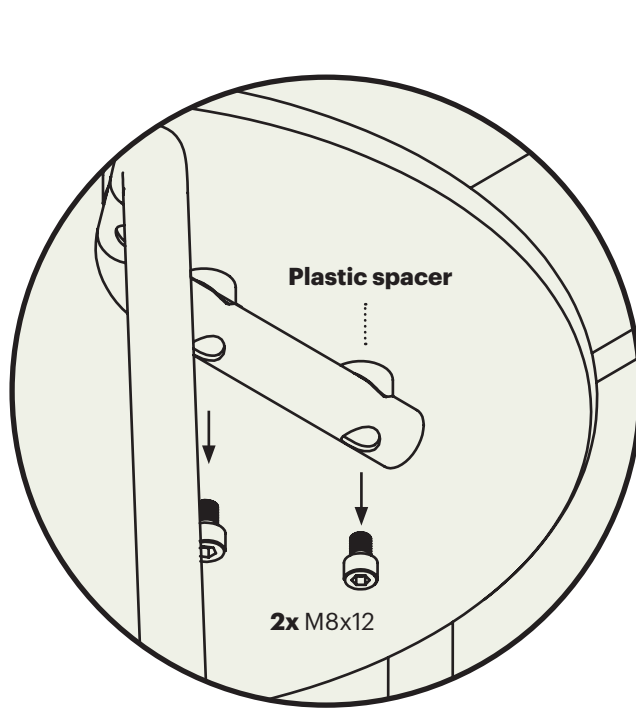
4x Glider feet



1: FIXATION OF ARMREST AND SIDE TABLE

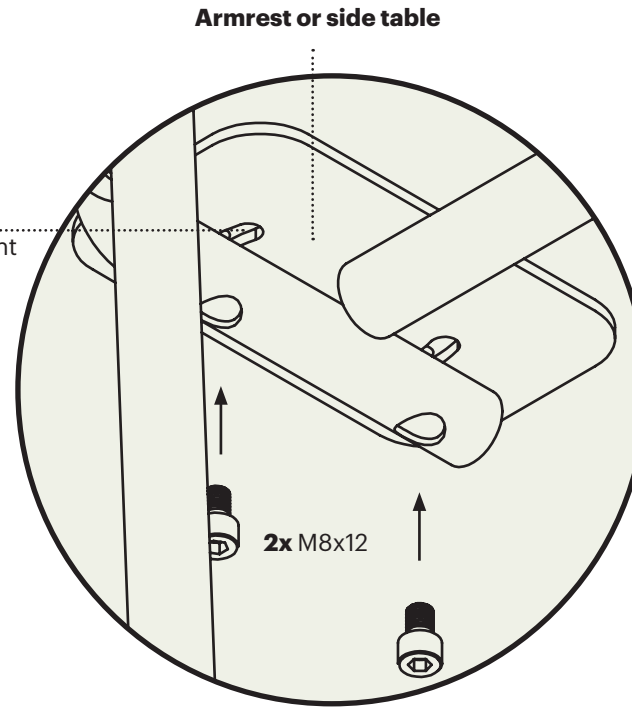
When mounting the armrest, unscrew the two rear bolts, and remove the two plastic spacers. **Make sure to align the armrest in parallel with the chair leg, before tightening the bolts.**

It is the same procedure when mounting the side table. We recommend finding the desired angle of the chairs before fastening the side table in place.

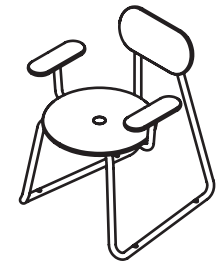


Step 1:
Unscrew the M8 bolts and
remove the plastic spacers.

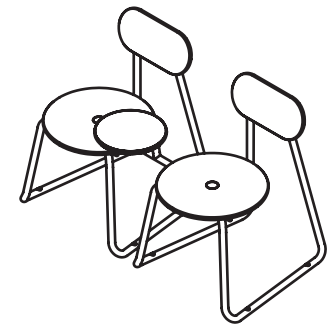
ATTENTION:
- Only use provided bolts!
- Do not overtighten



Step 2:
After placement fasten the M8 bolts.
Use grease to the bolts stick to the
allen key, for easier mounting.



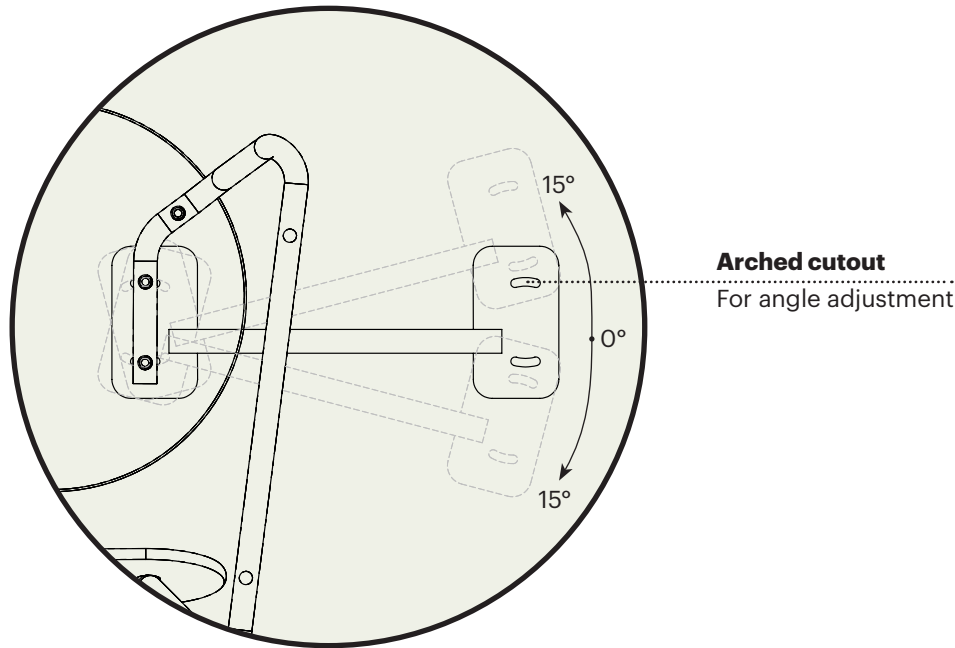
202 + 2x armrest



2x 202 + side table

2: LINKING TWO OR MORE CHAIRS

When mounting the connector bracket, unscrew the two rear bolts, and remove the two plastic spacers. The assembly is the same procedure when mounting the side table (see page 03). We recommend finding the desired angle of the chairs before fastening the side table in place. The connector can move 15 degrees in either direction from its middle position.



Step 1:

Unscrew the M8 bolts and remove the plastic spacers.

ATTENTION:

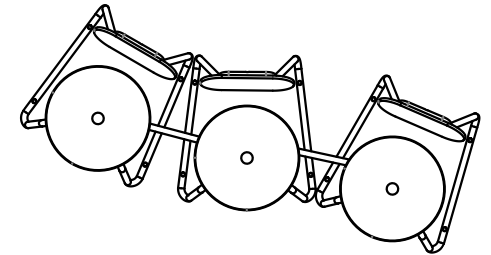
- Only use provided bolts!
- Do not overtighten

INFO

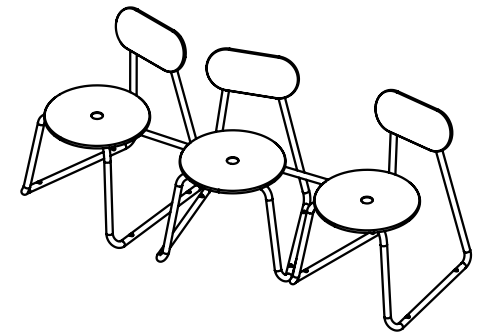
It is possible to link a infinite number of chairs together. This makes it possible to make playfull formations with the chair. **NOTE** that the side table can also be used in this way and the chain of chairs can be finished off with a armrest.

Step 2:

After desired placement fasten the M8 bolts. Use grease to the bolts stick to the allen key, for easier mounting.



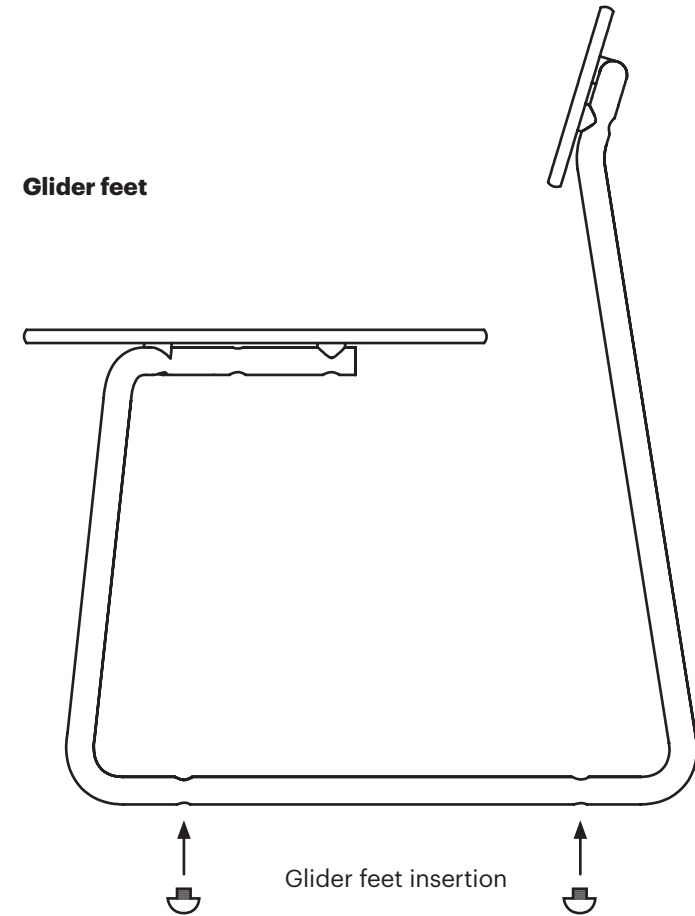
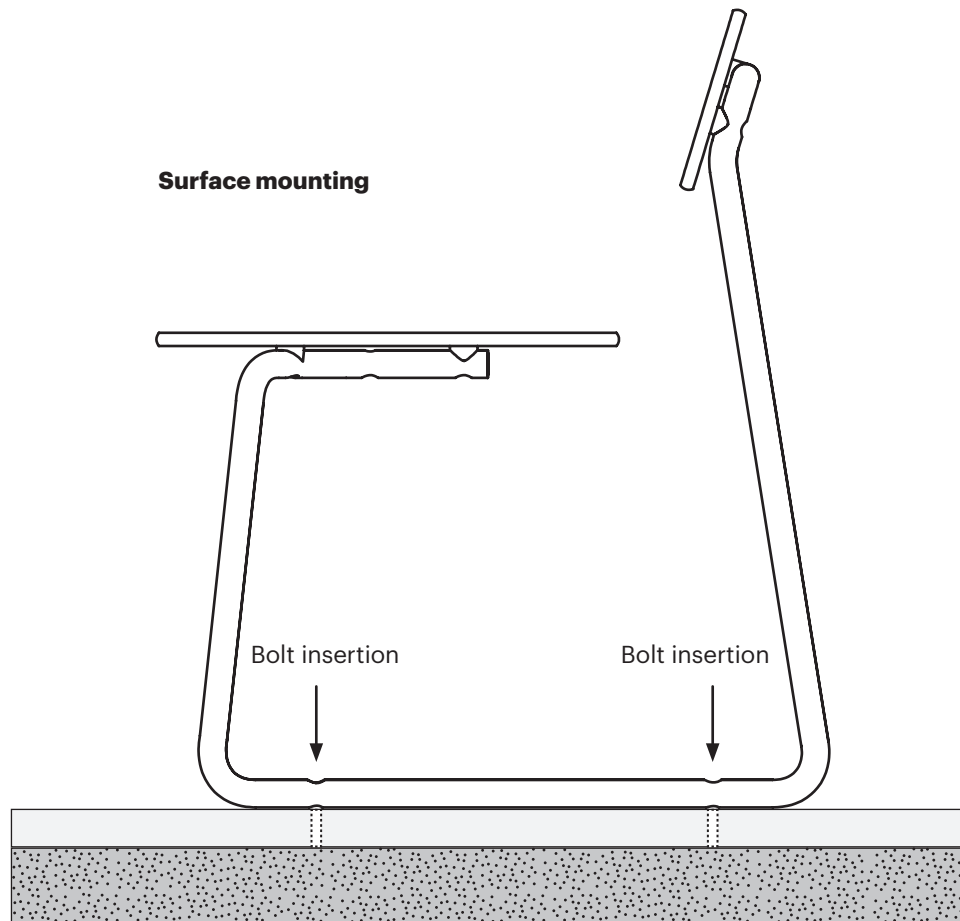
3x 202 + 2x Connector



3x 202 + 2x Connector

3: SURFACE MOUNTING OR GLIDER FEET

Use 4x bolts for surface mounting (not included). The chair is placed in the desired position on the surface. Prepare the surface for fixation. Entry hole in the chair frame is $\text{Ø}16$ mm and exit hole $\text{Ø}14$. Be aware of surface impurities and bumps before mounting. Alternatively, 4x rubber feet are inserted.



CLEANING AND MAINTENANCE

Clean the laminate surface with warm water and soft sponge.
NEVER use the abrasive "green" side of sponges. Use ordinary universal cleaner.

Difficult dirt must be removed with nanosponge and water. Take a closer look at our website, or contact us for information.



Kigkurren 8A
Islands Brygge
DK-2300 Copenhagen

out-sider.dk
+45 77 343 341