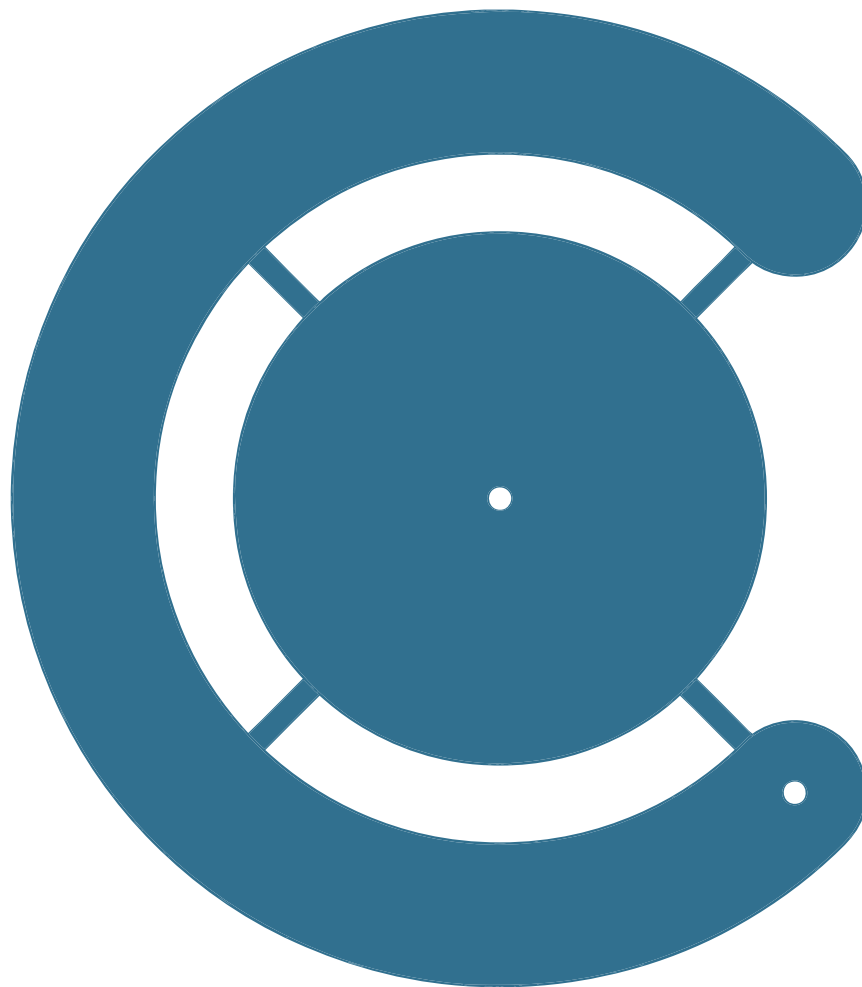


PLATEAU PICNIC ROUND

11-04-2023

#203 MOUNTING GUIDE

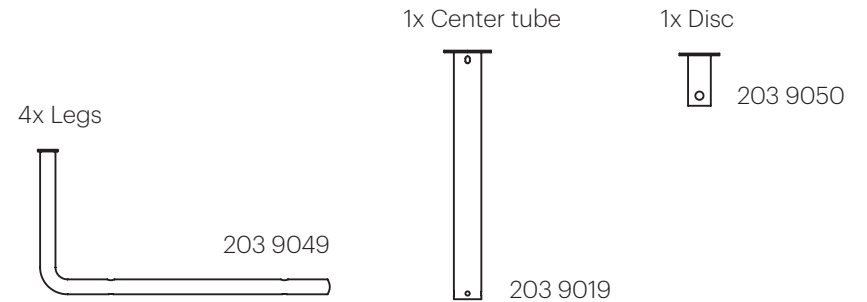
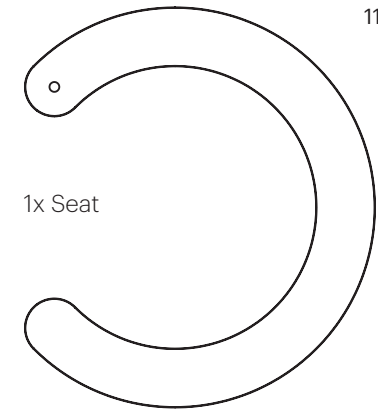
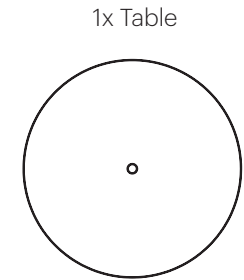


PLATEAU PICNIC ROUND

Developed by out-sider in collaboration with Holscher Design.

11-04-2023

INDEX:	PAGE
Item list	02
Fixation of legs onto center tube.....	03
Fixation of seat onto leg frame.....	04
Retighten Legs and seat.....	05
Fixation of table onto center tube.....	06
Fixation of disc	07
Fixation of Point Sun.....	08
Cleaning.....	09



ITEM LIST

Screws/bolts

- 4x M8x10
- 1x M8x90
- 4x M10x30
- 2x M8 washers
- 1x M8 NUT
- 8x M10x10
- 4x m10 Split Lock Washers

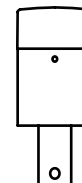
Tools (not included)

- Allen key set
- Socket wrench set

ADD-ONS

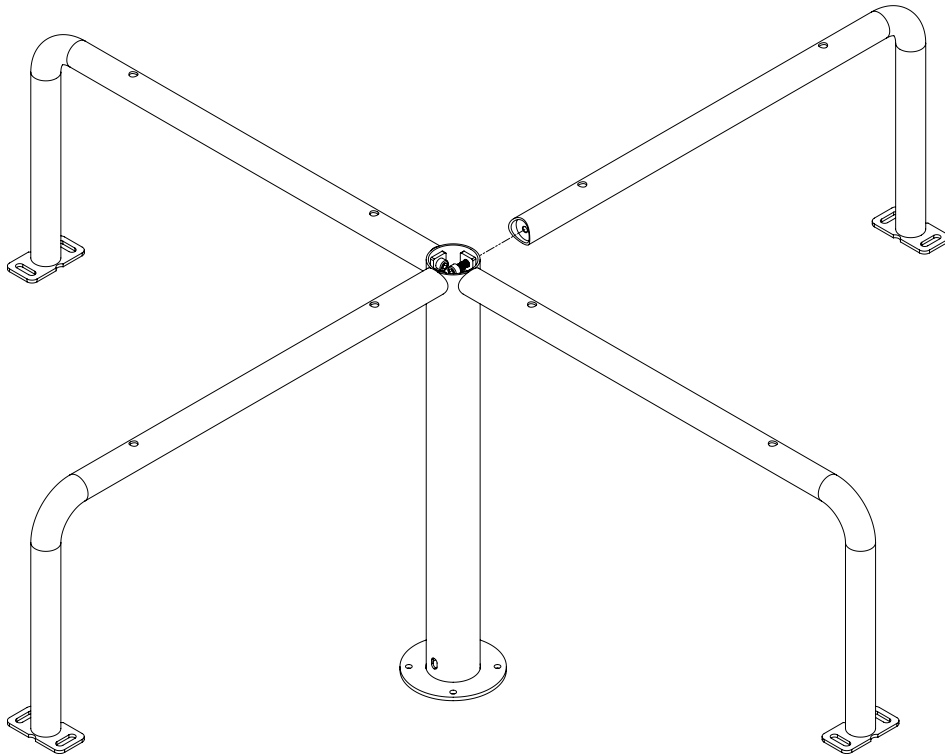
Add-ons, are not included with standard product

1x Point Sun
f. Picnic Round #326



FIXATION OF LEGS ONTO CENTER TUBE

Place the center tube with the flange against the ground. Each leg is mounted with an M10x30 bolt from the inside of the center tube.

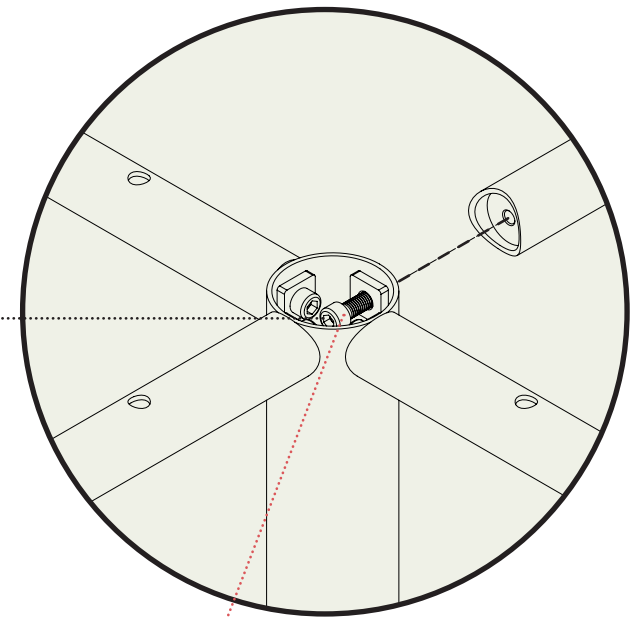


Fastening of the leg.

The bolt is passed through the hole from the inside **NB!** remember the M10 washers. Use the Allen key only when the bolt has gotten hold of the thread.



4x M10x30



NB!

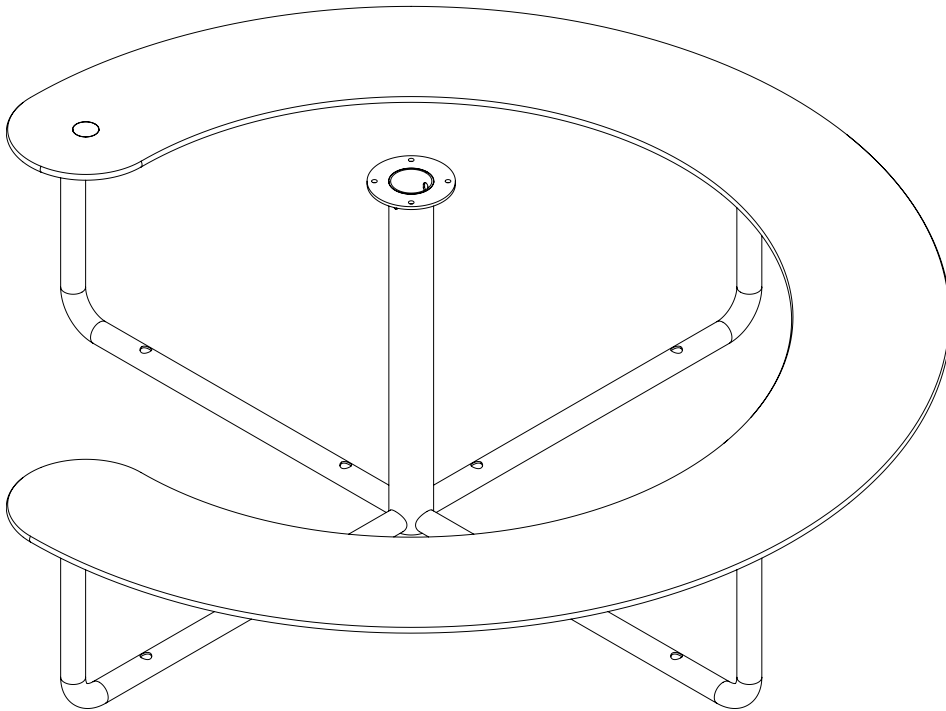
Do not tighten the bolts all the way.
They should first be tightened thoroughly later.

FIXATION OF SEAT ONTO LEG FRAME

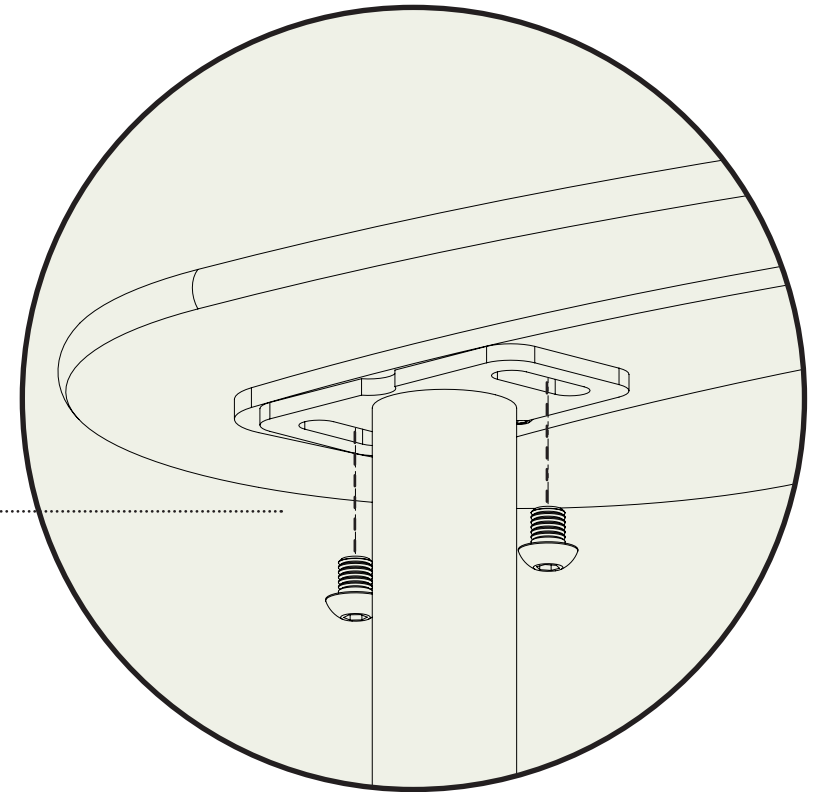
After the legs are mounted loosely, the frame is turned over so that the seat can be placed on top. The seat comes with a steel frame, ready for fastening. All 8x M10x10 bolts are loosely screwed in.

Placement of seat

Carefully place the seat on top of the leg frame.



8x M10x10



Fastening of the seat

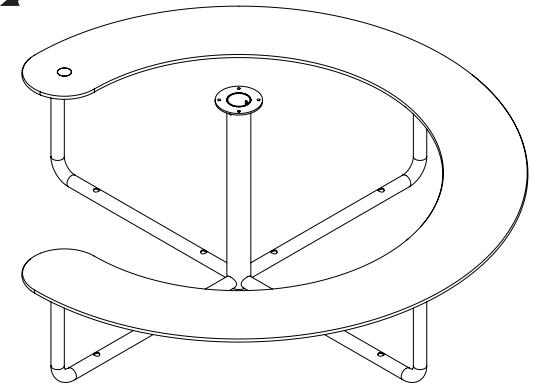
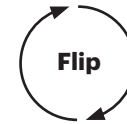
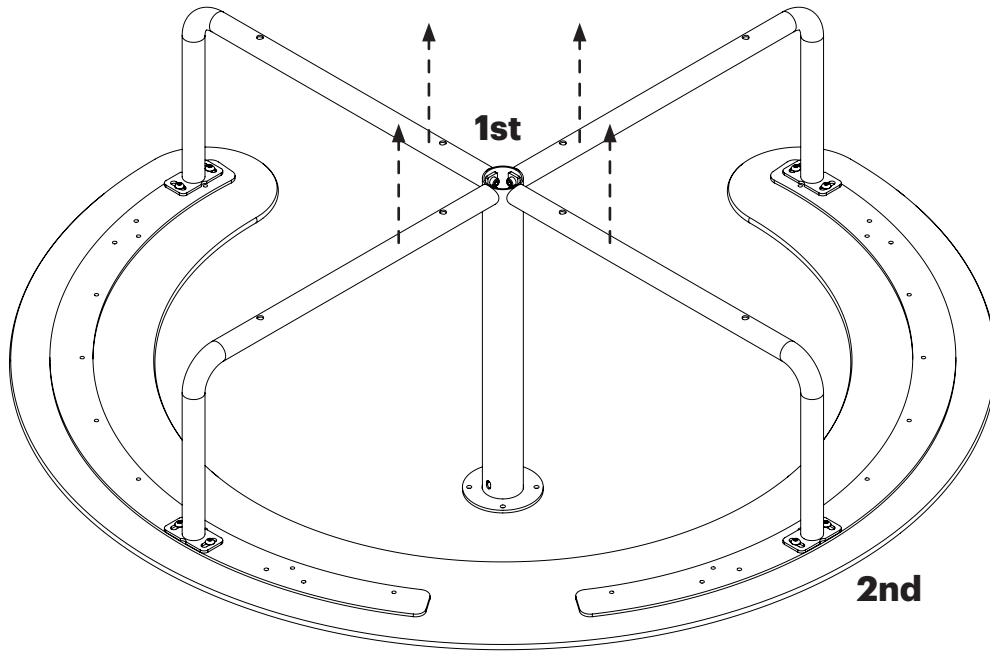
Use M10x10 bolts to fasten the seat to all four legs.

RETIGHTEN LEGS AND SEAT

Turn over the table again and retighten the bolts in the center tube first, and then the bolts underneath the seat. It is important to tighten these bolts securely at this stage. After retightening, turn the table over again in the correct orientation.

NB!

Pull up on the legs while tightening.
Tighten the bolts securely.

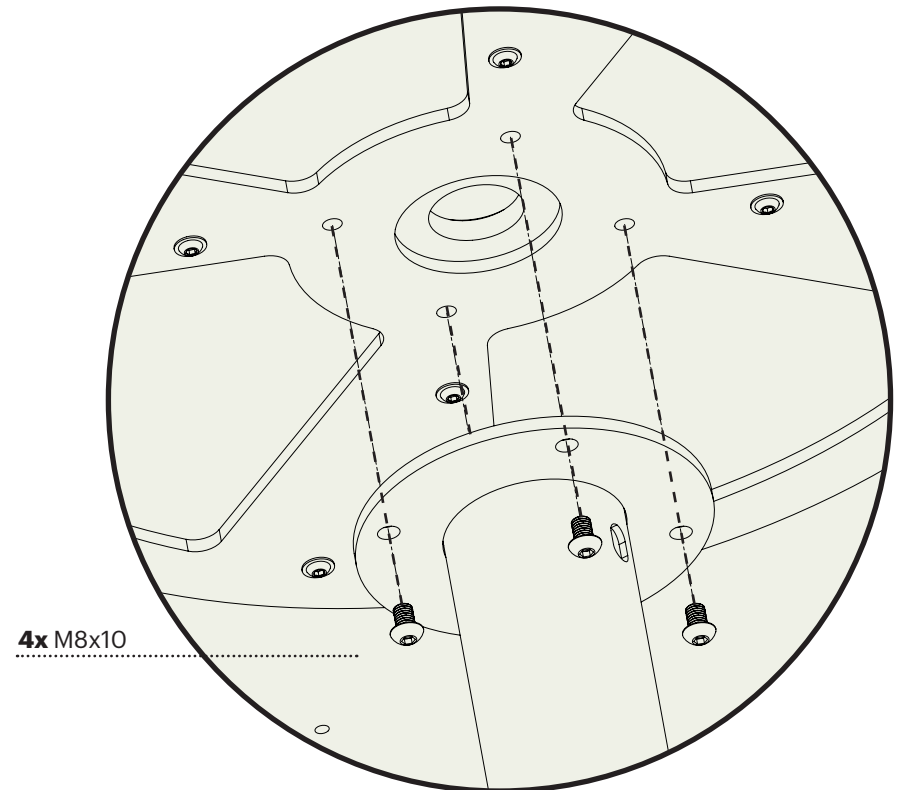
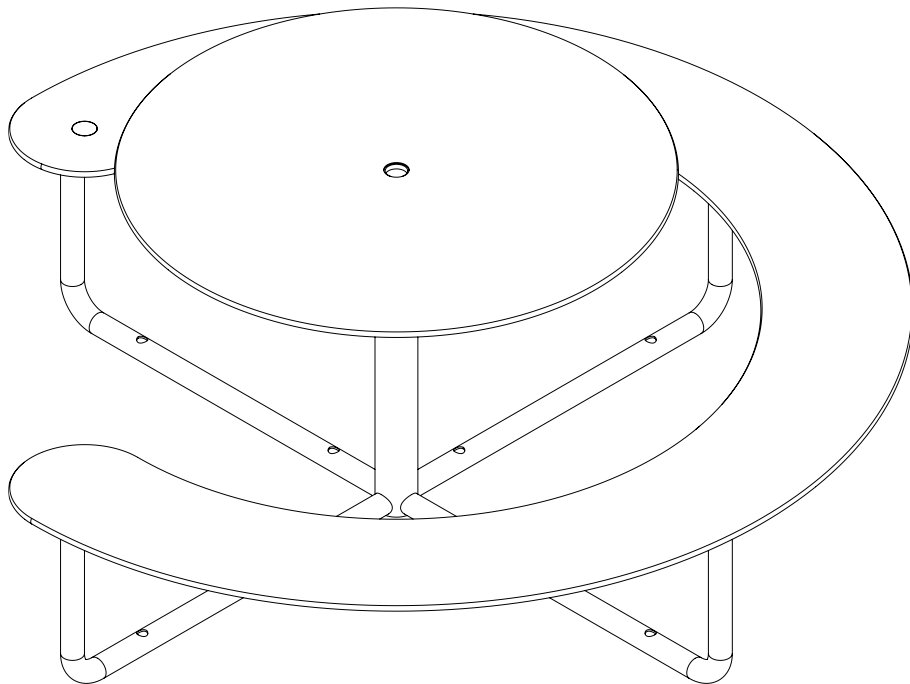


FIXATION OF TABLE ONTO CENTER TUBE

After the seat has been fitted, the table can be carefully laid on the top of the center tube. The table comes with a steel frame, ready for mounting on the center tube. All 4x M8x10 bolts are loosely screwed in and retightened.

Placement of table

Carefully place the table on top of the center tube.



Fastening of the table

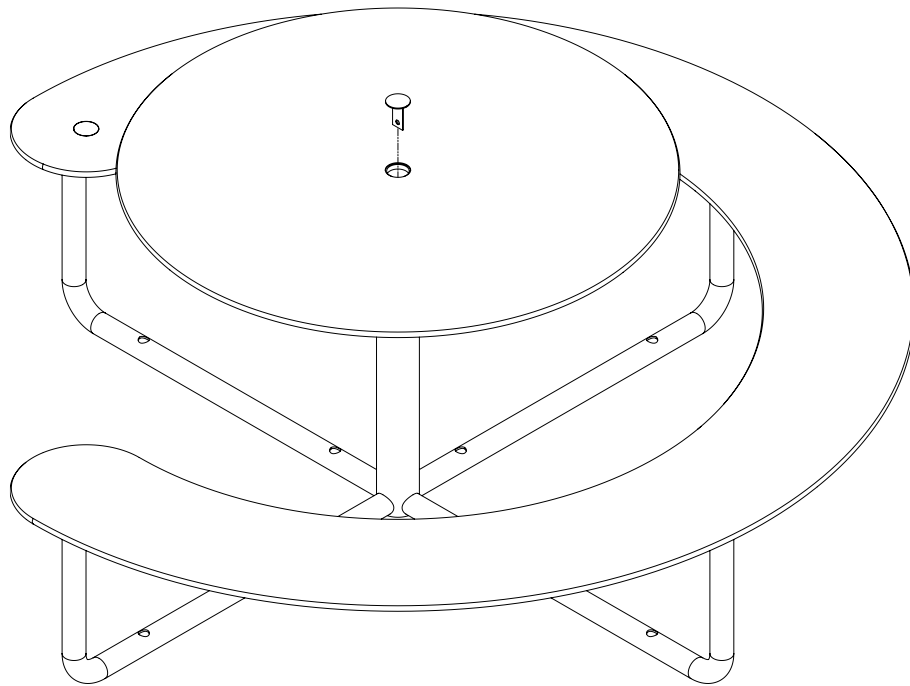
Use M8x10 bolts to fasten the tables to the center tube.

FIXATION OF DISC

Lastly, insert the disc and fixate it through the center tube. Use M8x90, washers and nut.

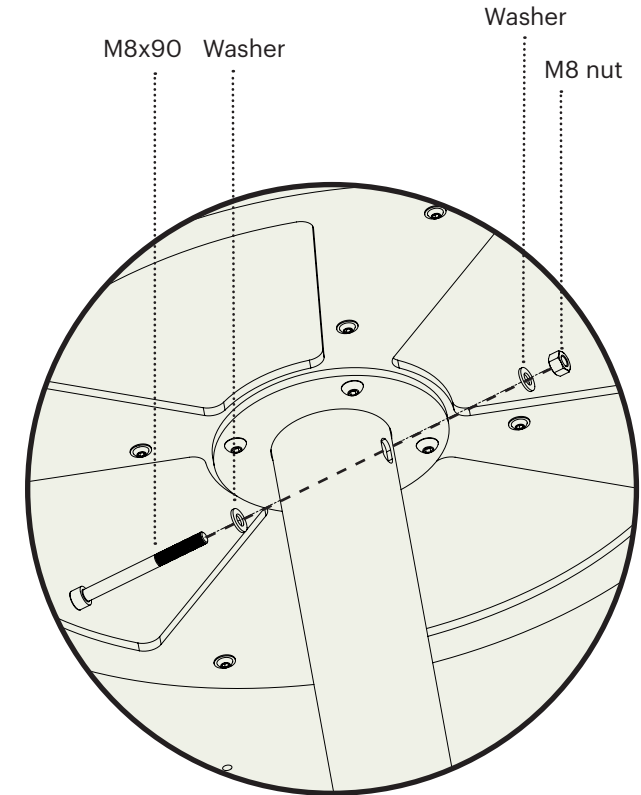
Insert the disc

The disc fits in the milled surface.



ATTENTION:

- The disc will skewed if the bolt is tightned too hard.

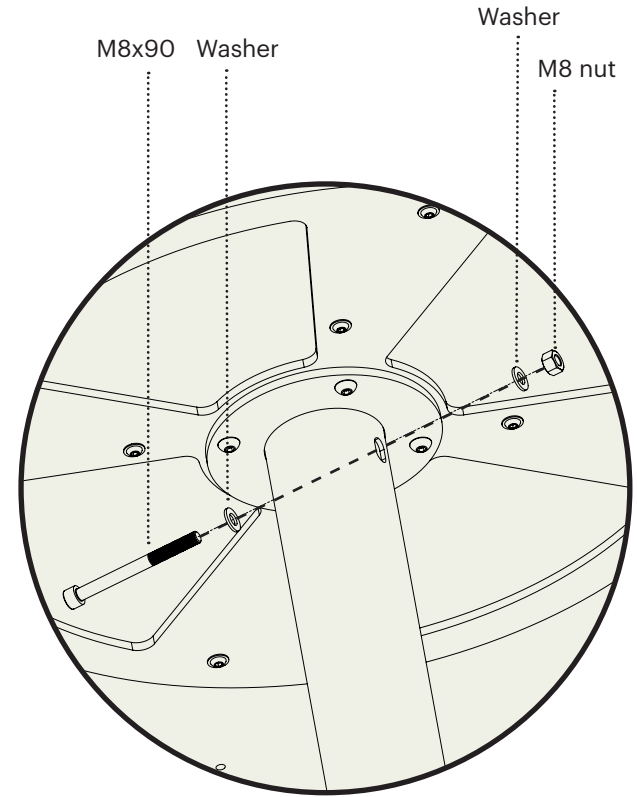
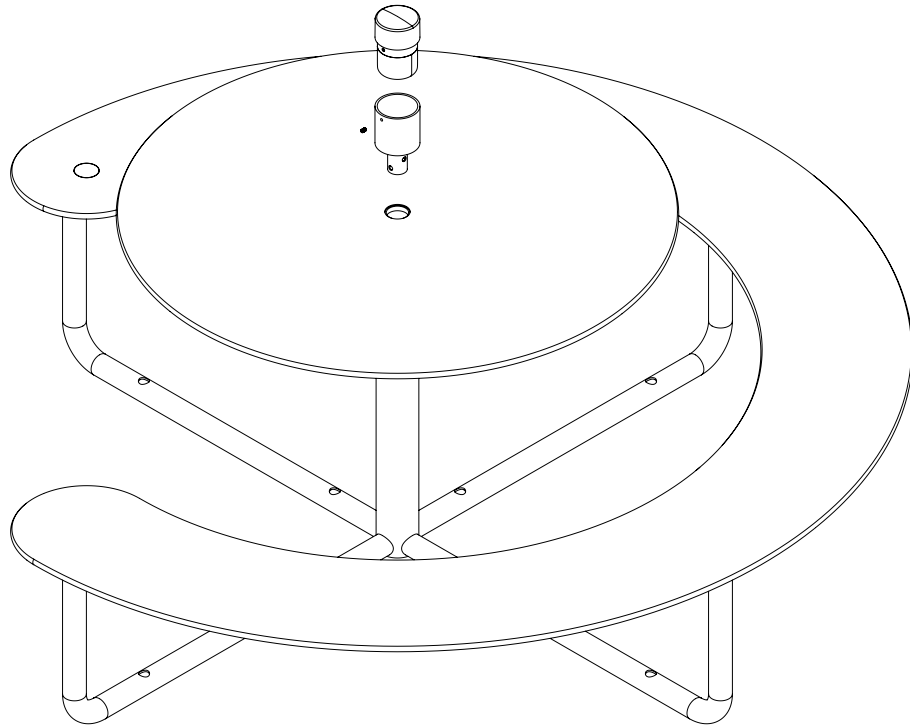


Fastening of the disc

Use M8x90 bolt, nut and washer to fixate.

FIXATION OF POINT SUN

Place the Point sun unit in the hole in the center of the tabletop. Use the M8x90 bolt, washers, and nut to secure it.



Fastening of the base
Use M8x90 bolt, nut and washer to fixate.

CLEANING

Clean the laminate surface with warm water and a soft sponge.
NEVER use the abrasive "green" side of the sponge. Use an ordinary universal cleaner.

Difficult dirt must be removed with a nano sponge and water. Please take a closer look at our website, or contact us for information.



Kigkurren 8A
Islands Brygge
DK-2300 Copenhagen

out-sider.dk
+45 77 343 341