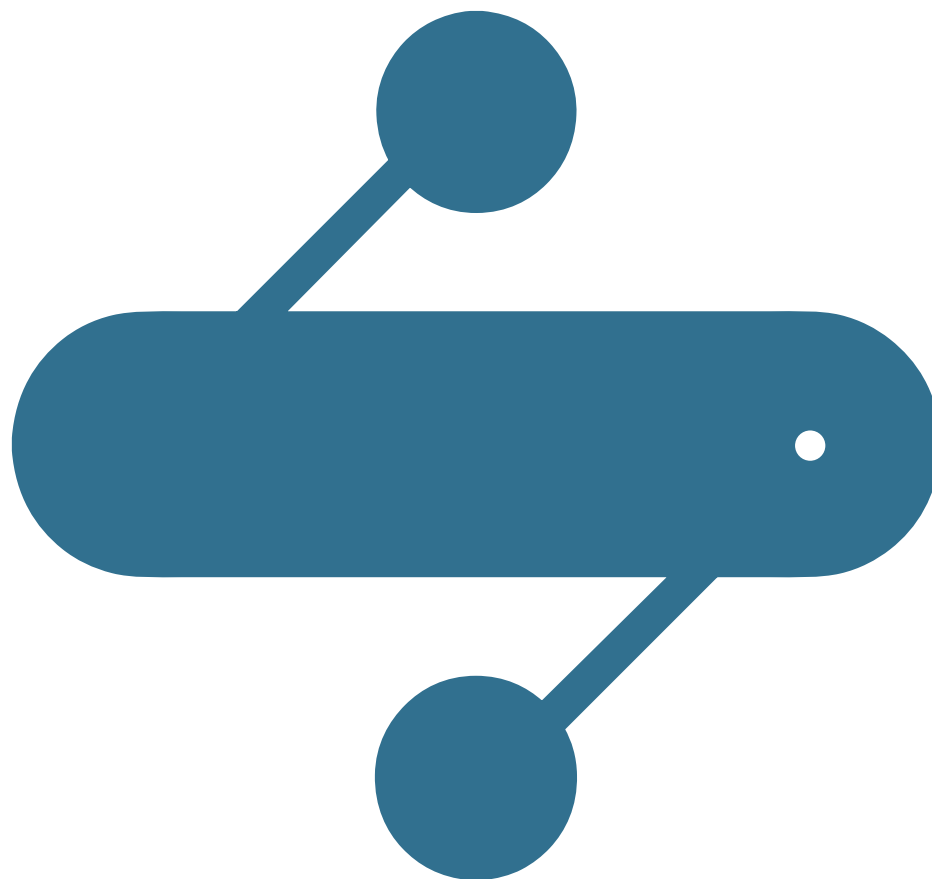


# PLATEAU **PICNIC DUO**

19-09-2022

## #206 MOUNTING GUIDE

---



# PLATEAU PICNIC DUO

Developed by out-sider in collaboration with Holscher Design.

<b>INDEX:</b>	<b>PAGE</b>
Item list .....	<b>02</b>
Assembling legs and table.....	<b>03</b>
Assembling laminate seats to the legs.....	<b>04</b>
Mounting of Point Sun.....	<b>05</b>
Cleaning.....	<b>06</b>

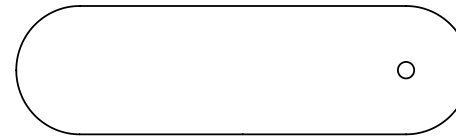
## ITEM LIST

- 1x M8x90
- 2x M8 Washer
- 1x M8 Safety Nut
- 8x M6x10
- 4x M8x25

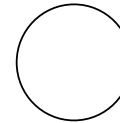
Tools (not included)

- Allen key set
- Socket wrench set

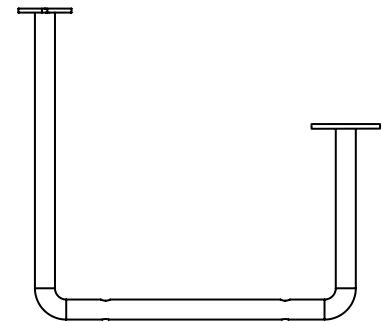
1x Seat 1250 #195



2x Seat Ø270 (196 99xx)



2x Duo leg (206 9241)



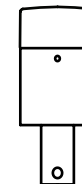
1x disc  
(195 9040)



## ADD-ONS

*Add-ons, are not included with the standard product*

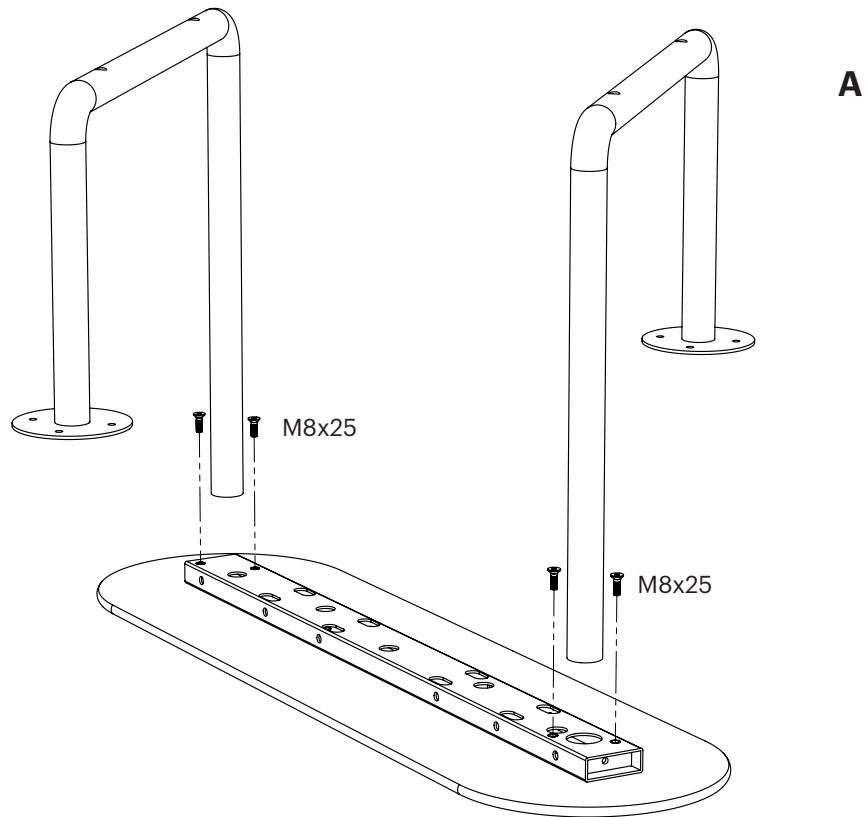
1x Point Sun (#326)  
f. Seat



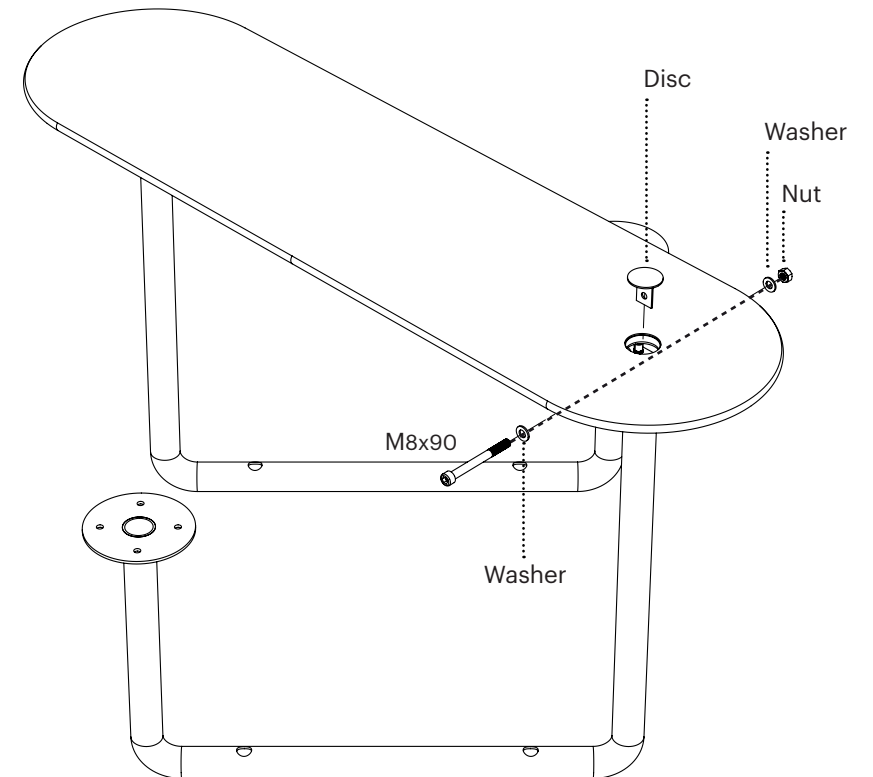
POINT SUN BASE 3  
(319 7003)

## ASSEMBLING LEGS AND TABLE

**A:** Place the table face down and screw on the two legs using the M8x25 bolts. **B:** Flip the table over so it is standing upright. Insert the disc into the hole in the tabletop, and use the M8x90, washers, and nut to fixate the disc.



**B**



### ATTENTION

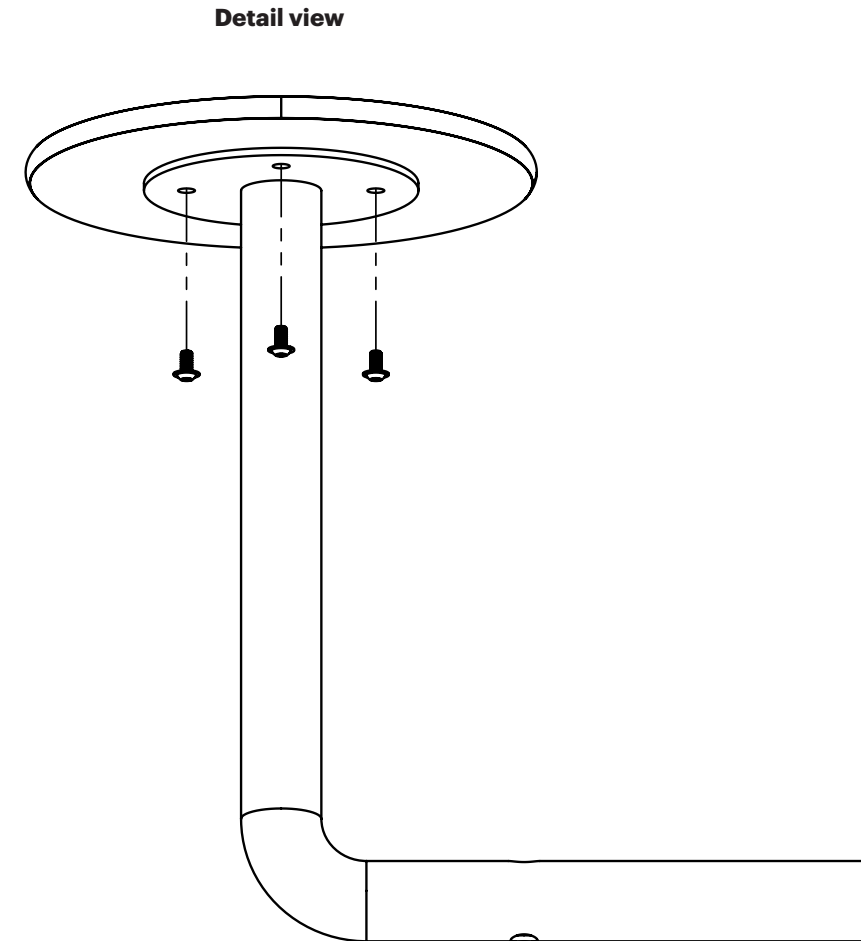
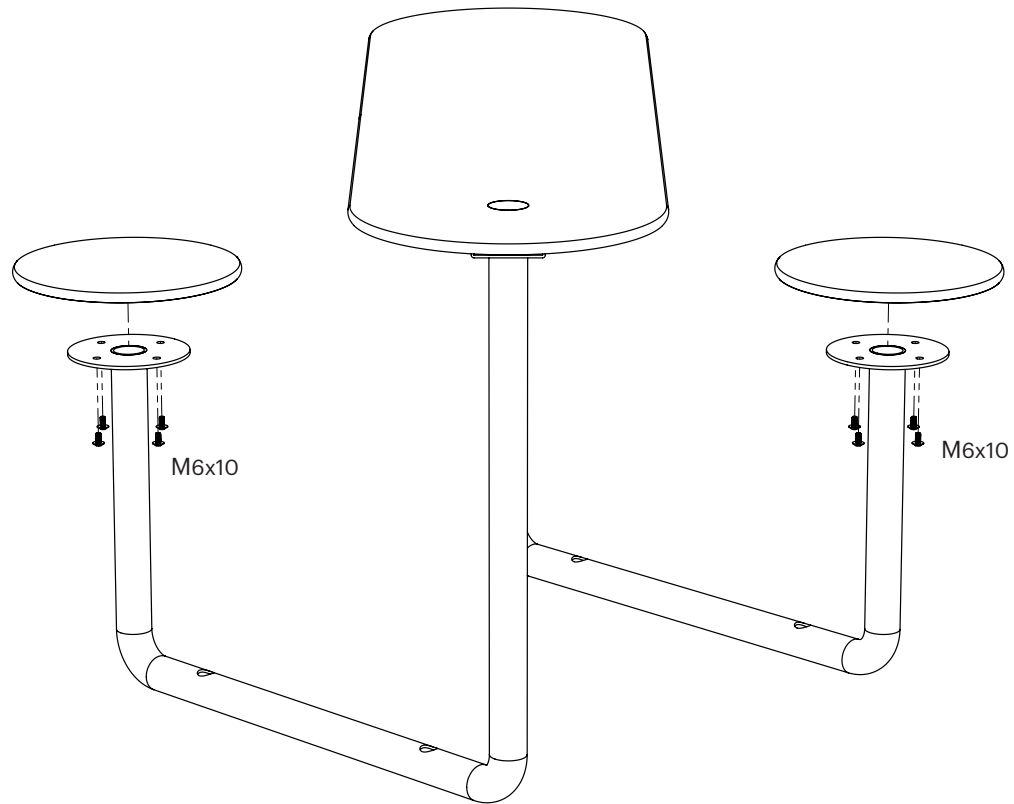
- Only place laminate on a safe, or soft surface to prevent damaging the laminate.

## ASSEMBLING LAMINATE SEATS TO THE LEGS

Carefully place the two laminate seats on the flanges on the end of the legs. Use 4xM6x10 per seat to fasten them in place. Be careful not to overtighten the bolts, as the laminate might rupture (max 18Nm).

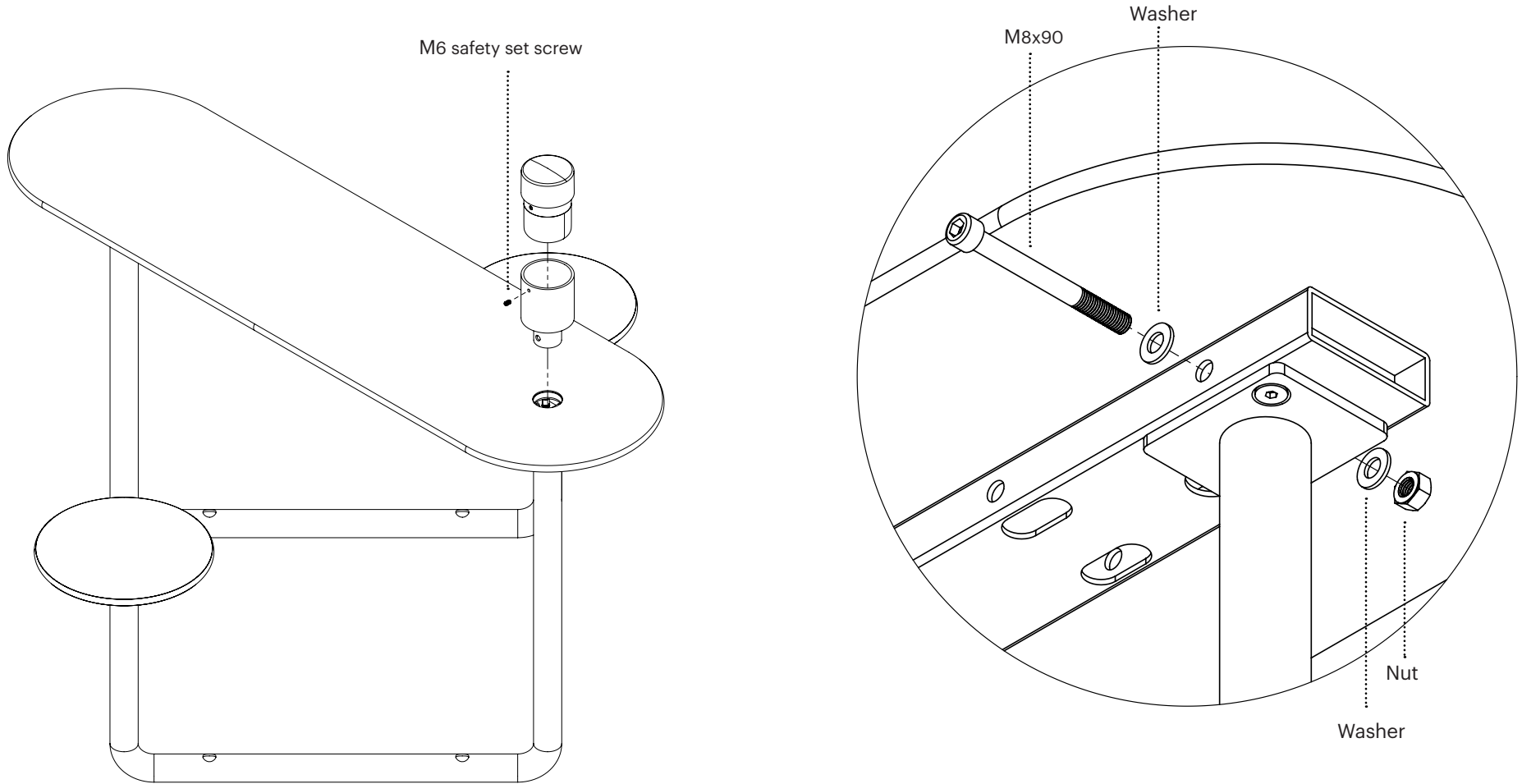
### ATTENTION

- Do not overtighten 4 pcs M6x10, as the laminate might rupture (max 18Nm).



## MOUNTING OF POINT SUN

Place the Point Sun light unit in the base, align the holes and tighten the safety set screw. Then place the whole unit in the hole and use the M8x90 bolt to fix it to the metal frame underneath. Use the M8x30 to fixate it from the side, do not overtighten.



## CLEANING

Clean the laminate surface with warm water and a soft sponge.  
NEVER use the abrasive "green" side of the sponge. Use an ordinary universal cleaner.

Difficult dirt must be removed with a nano sponge and water. Please take a closer look at our website, or contact us for information.



---

Kigkurren 8A  
Islands Brygge  
DK-2300 Copenhagen

**out-sider.dk**  
**+45 77 343 341**