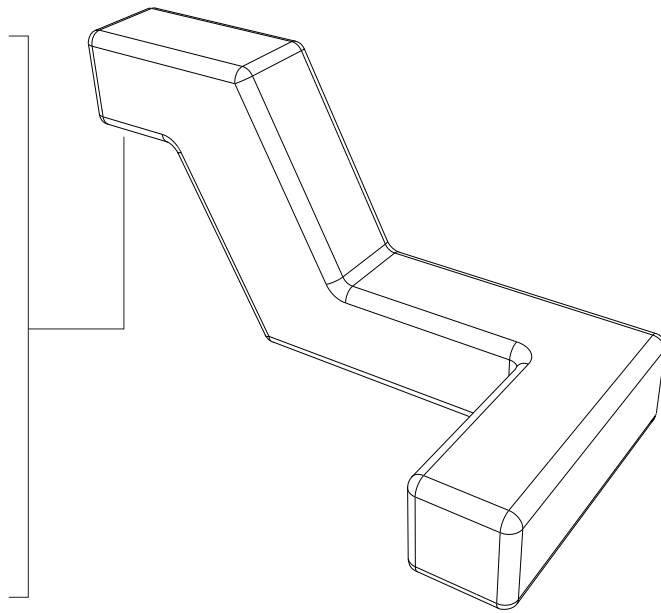
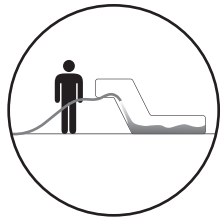
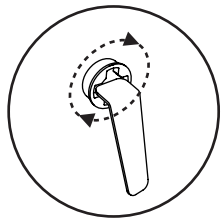
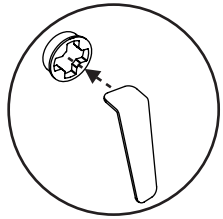


BOA
#139

MOUNTING INSTRUCTION

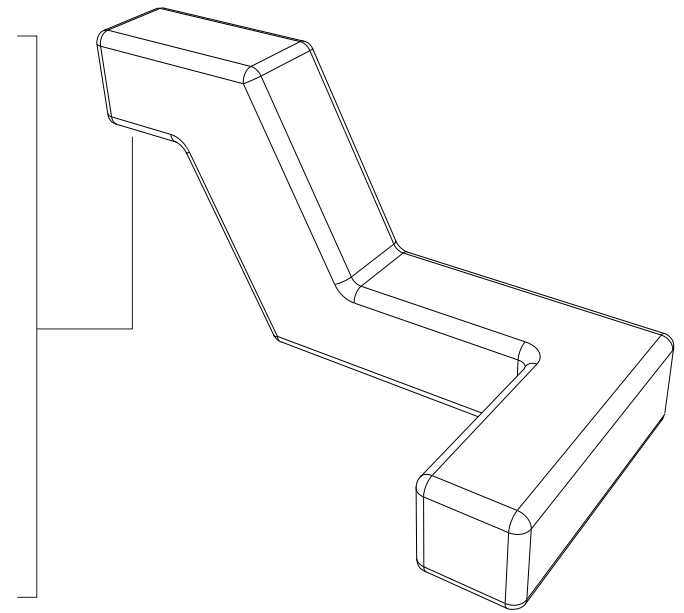
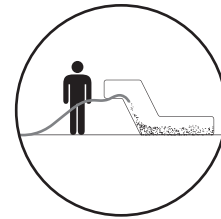
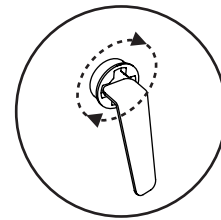
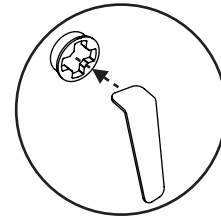


FILLED WITH WATER



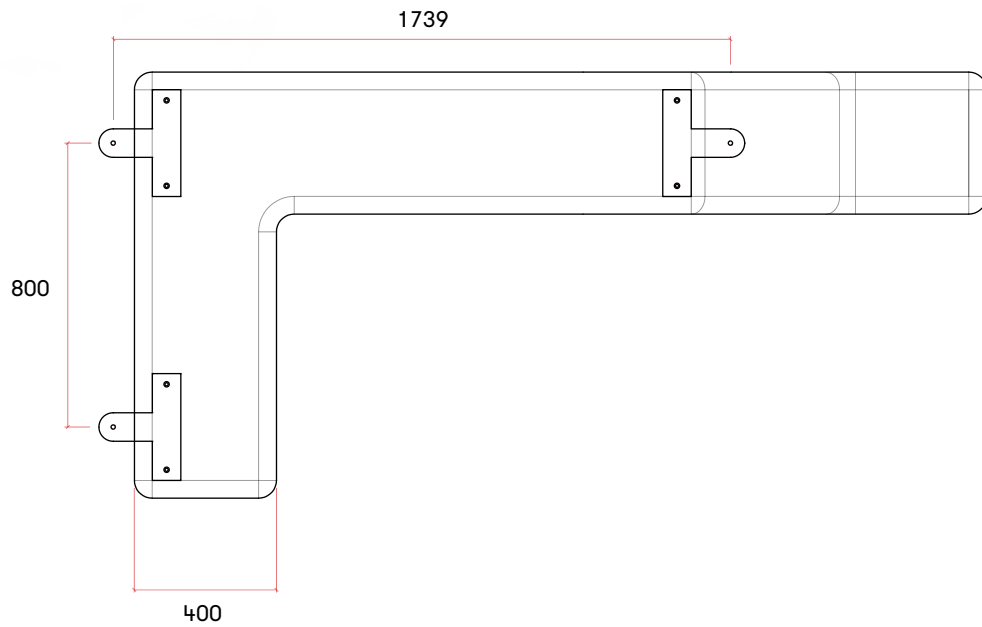
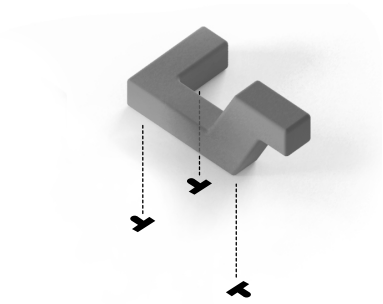
BOA (43 kg)
+ 450 litres of water
~ 493 kg

FILLED WITH SAND

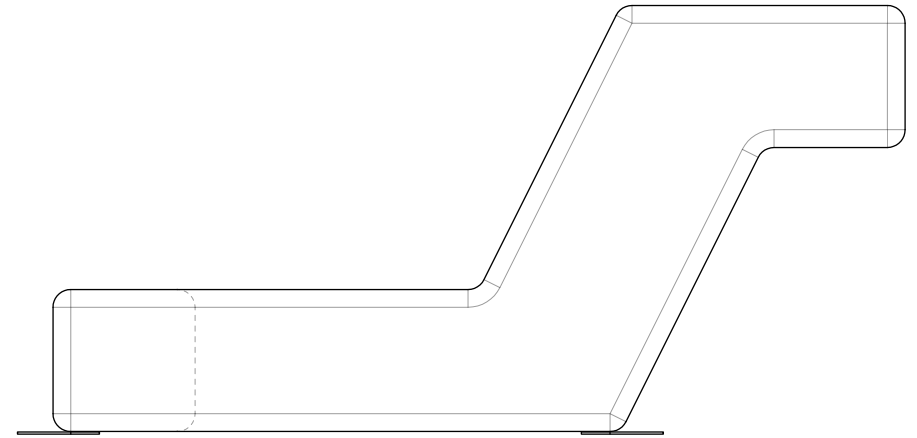


BOA (43 kg)
+ 450 kilos of sand
~ 493 kg

BOA B10 BRACKET / STANDARD POS.



BOA bottom view



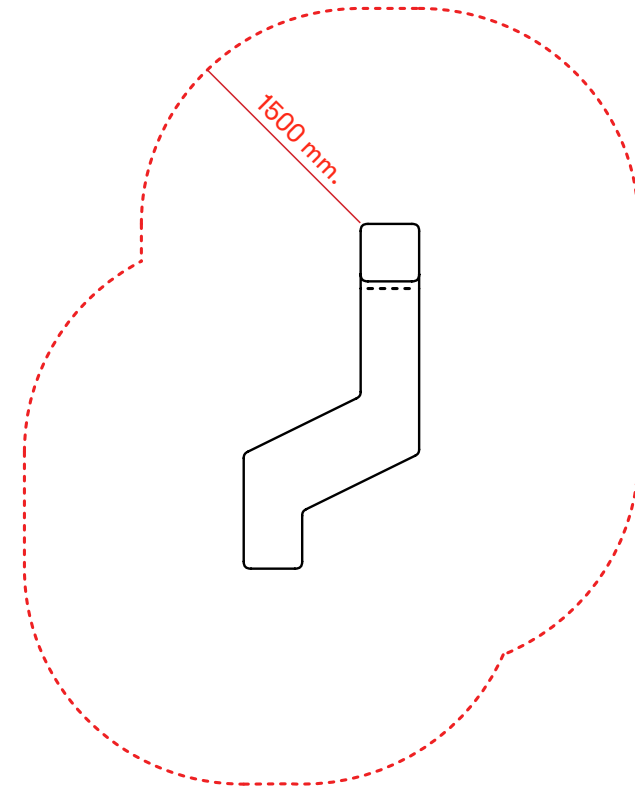
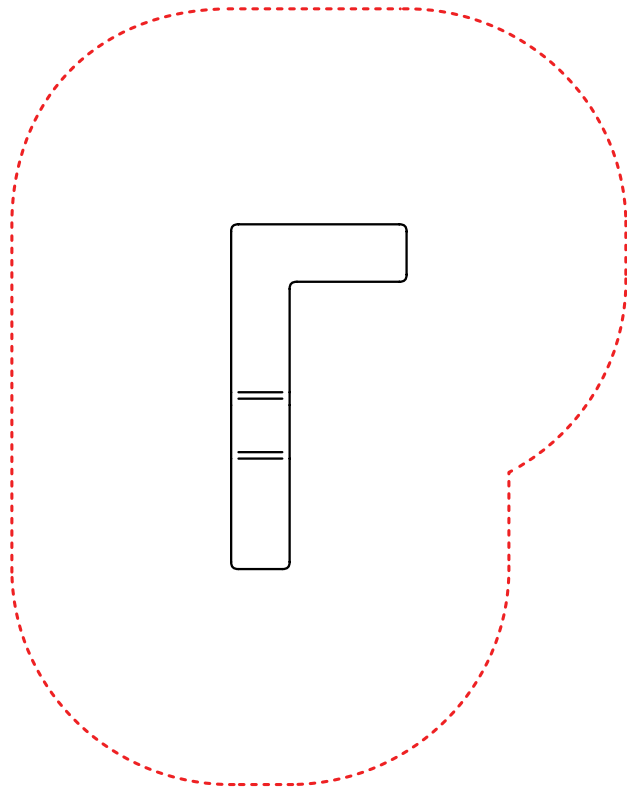
BOA side view

SHOCK ABSORBING SURFACE AND IMPACT AREA

Shock absorbing surface and the extension of impact area.
In accordance with EN 1176:2008 we recommend an impact area of 1500mm
(see dotted line)

For equipment with a fall height (FH) >600mm, the max. FH for the impact
absorbing surface material shall be documented.

Note: The max. FH for the BOA is 1200mm.



CLEANING INSTRUCTIONS

The material polyethylene withstands almost all detergents. Polyethylene requires no maintenance.

The dyed polyethylene preserves the colour - minimal fading by the sun is to be expected.

Pressure washers can be used with advantage to clean the product.

After cleaning, use vinyl polish (same as used for car interiors) to make the product shine.

SLIP RESISTANT SURFACES

The products have a textured/granulated surface due to abrasive blasting of the mold.

This process increases friction, resulting in a less slippery surface.