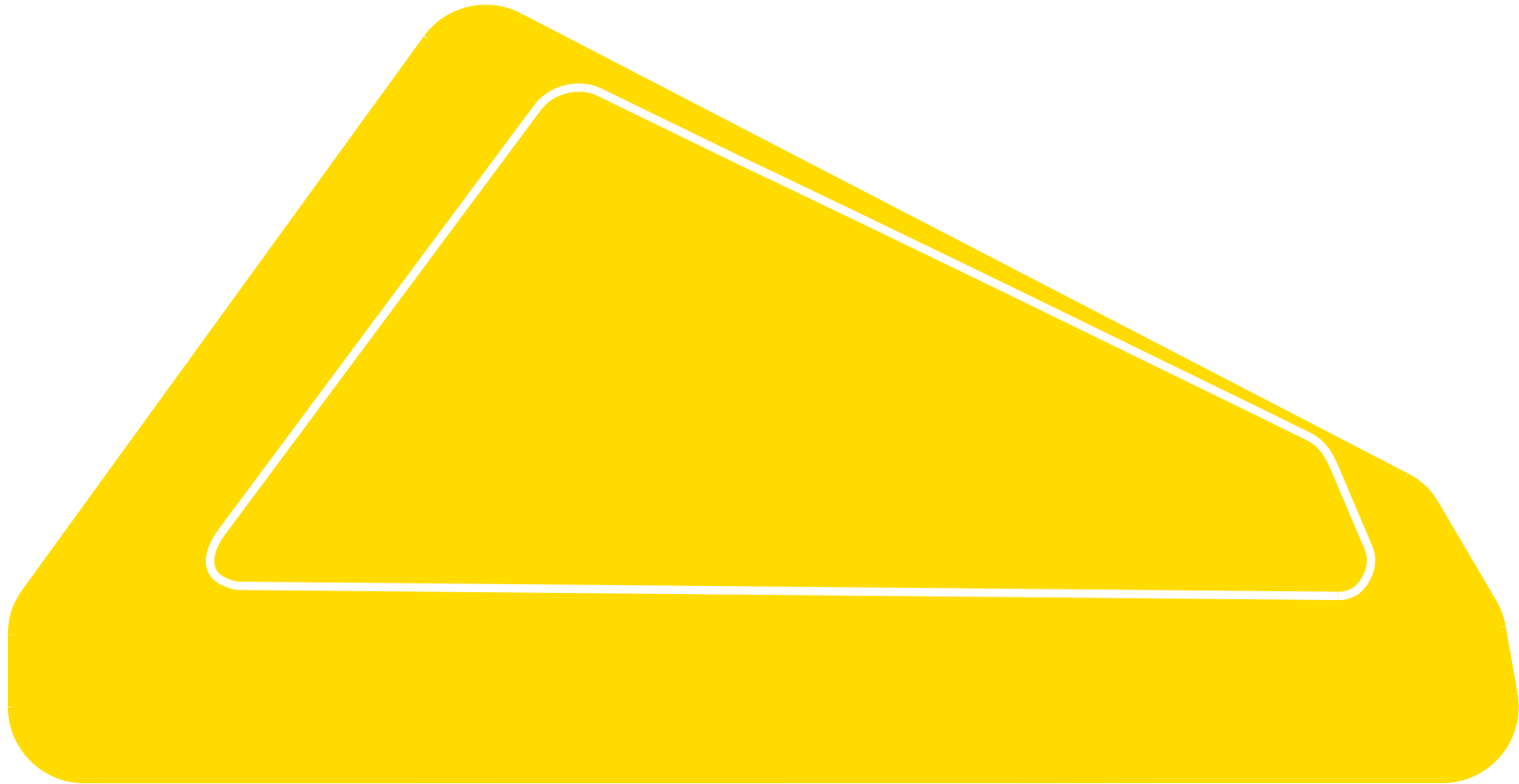


**SATELLITE
#152**

**MOUNTING
INSTRUCTION**

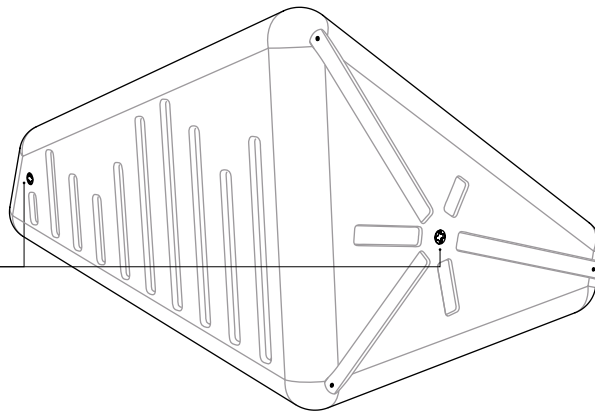
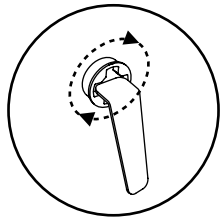
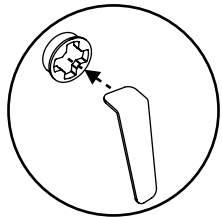




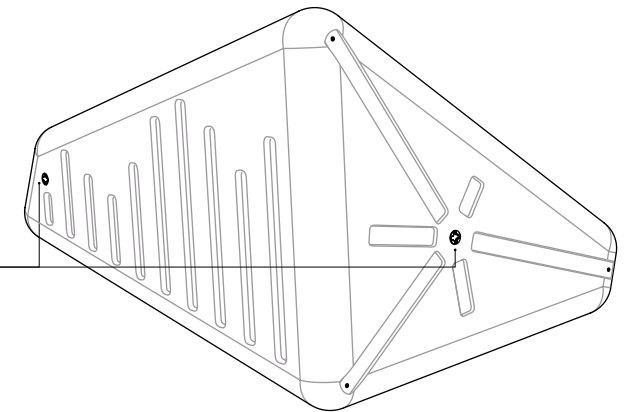
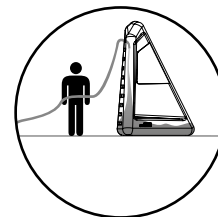
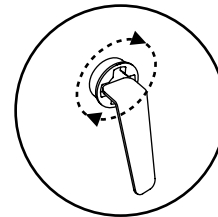
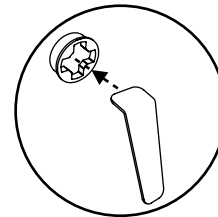
FILLED WITH WATER



FILLED WITH SAND

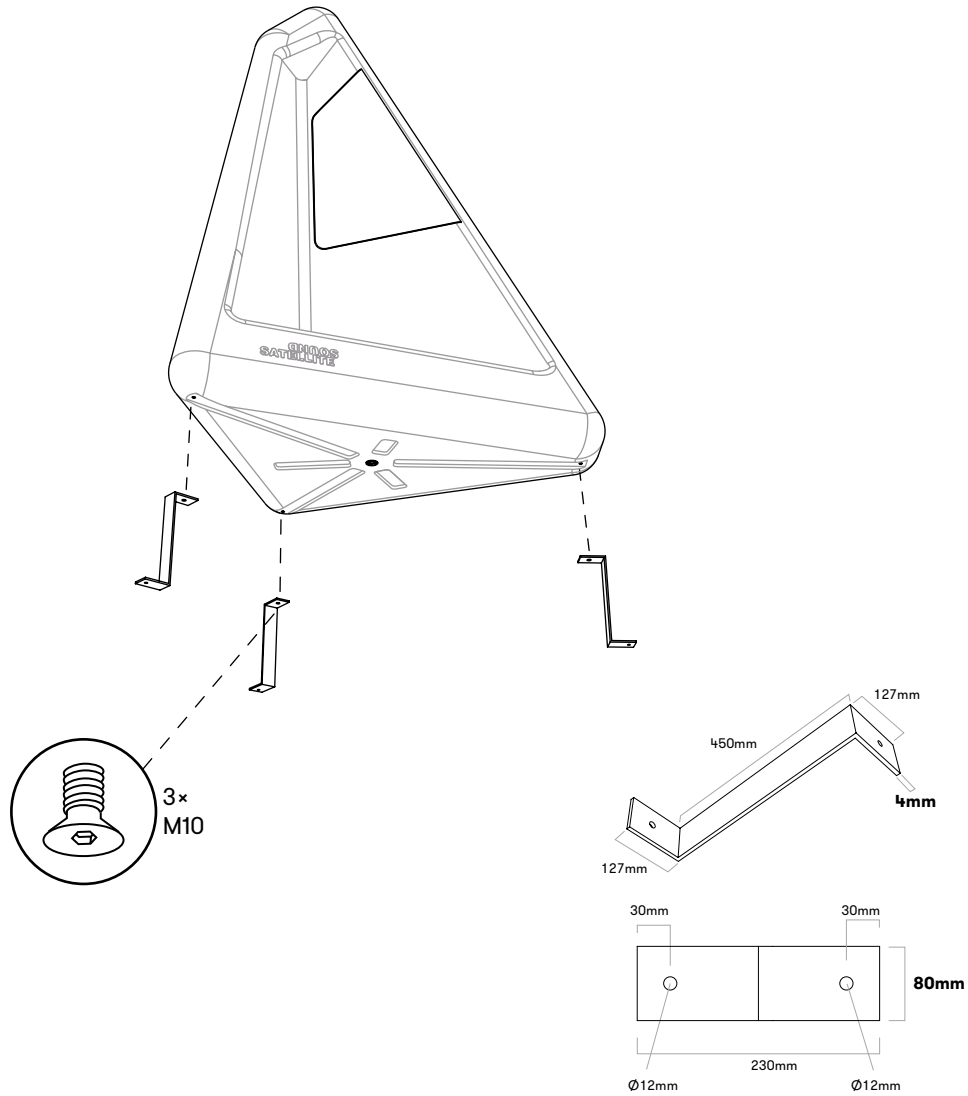


Satellite (165 kg)
+ 400 litres water
~ 565 kg

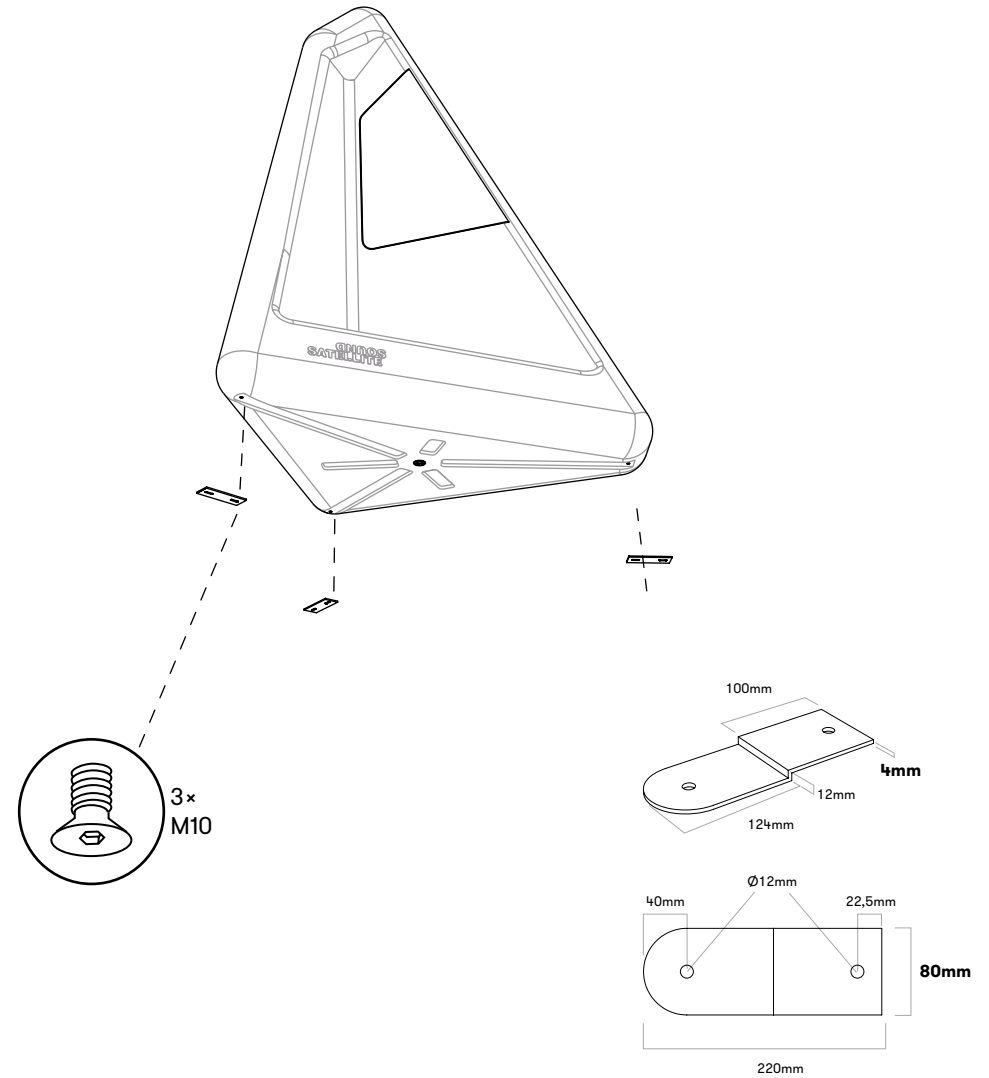


Satellite (165 kg)
+ 400 kg sand
~ 565 kg

B2 BRACKET FOR GROUND FIXATION



B3 BRACKET FOR SURFACE FIXATION

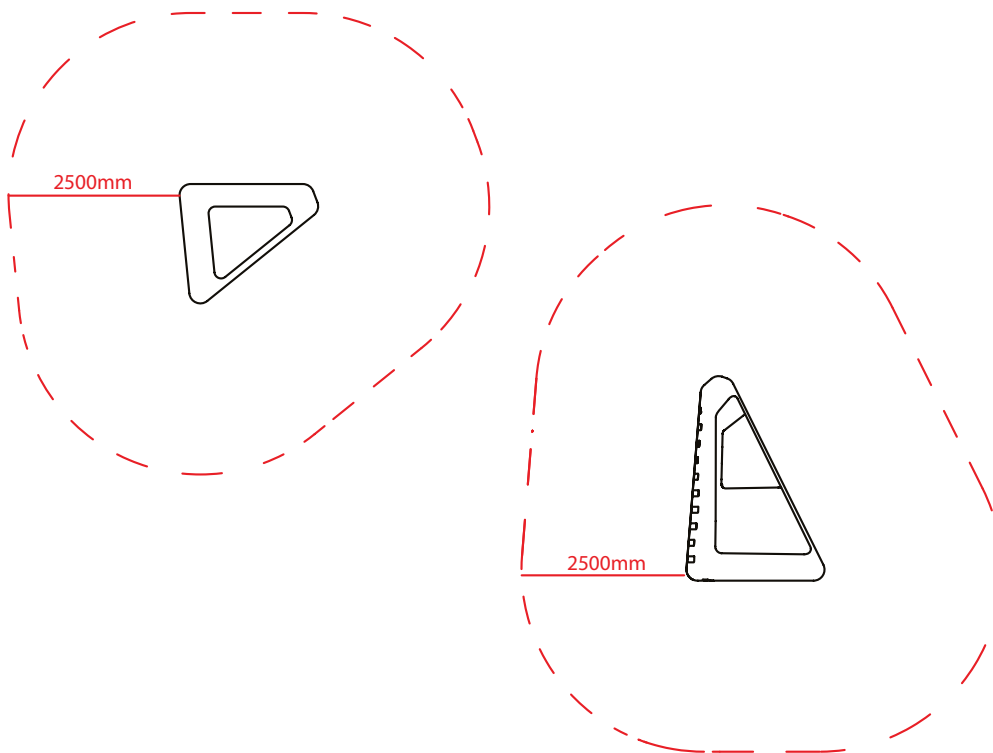


SHOCK ABSORBING SURFACE AND IMPACT AREA

Shock absorbing surface and the extension of impact area.
In accordance with DS/EN 1176:2008 we recommend an impact area of 2500mm (see dotted line).

For equipment with a fall height (FH) >600mm, the max. FH for the impact absorbing surface material shall be documented.

The max. FH for the Satellite is 2980mm.



CLEANING INSTRUCTIONS

The material polyethylene withstands almost all detergents.
Polyethylene requires no maintenance.

The dyed polyethylene preserves the colour - minimal fading by the sun is to be expected.

Pressure washers can be used with advantage to clean the product.
This service is often offered by companies that remove graffiti.