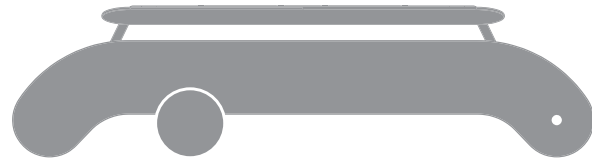


PLATEAU BENCH WALL #194

MOUNTING INSTRUCTIONS





PLATEAU Bench Wall

INDEX:	PAGE
Mounting the seat onto the frame.....	03
Drilling for, and mounting of threaded rods.....	04
Mounting of backrest on Plateau Bench Wall.....	05
Fitting Plateau Bench Wall onto the wall.....	06
Mounting of Side-table on Bench Wall.....	07
Cleaning.....	08

PARTS INCLUDED FOR MOUNTING

Plateau Bench Wall

- 8 pcs M10 button head allen key screws
- 4 pcs M10 cylinder allenkey screws
- 4 pcs plastic washers

Plateau Sidetable

- 2 pcs M10 button head allen key screws

TOOLS NEEDED FOR MOUNTING (NOT INCLUDED):

- Allen key no. 6
- 6 pcs threaded rods
- 6 pcs nuts
- 2 pcs washer

BEMÆRK:

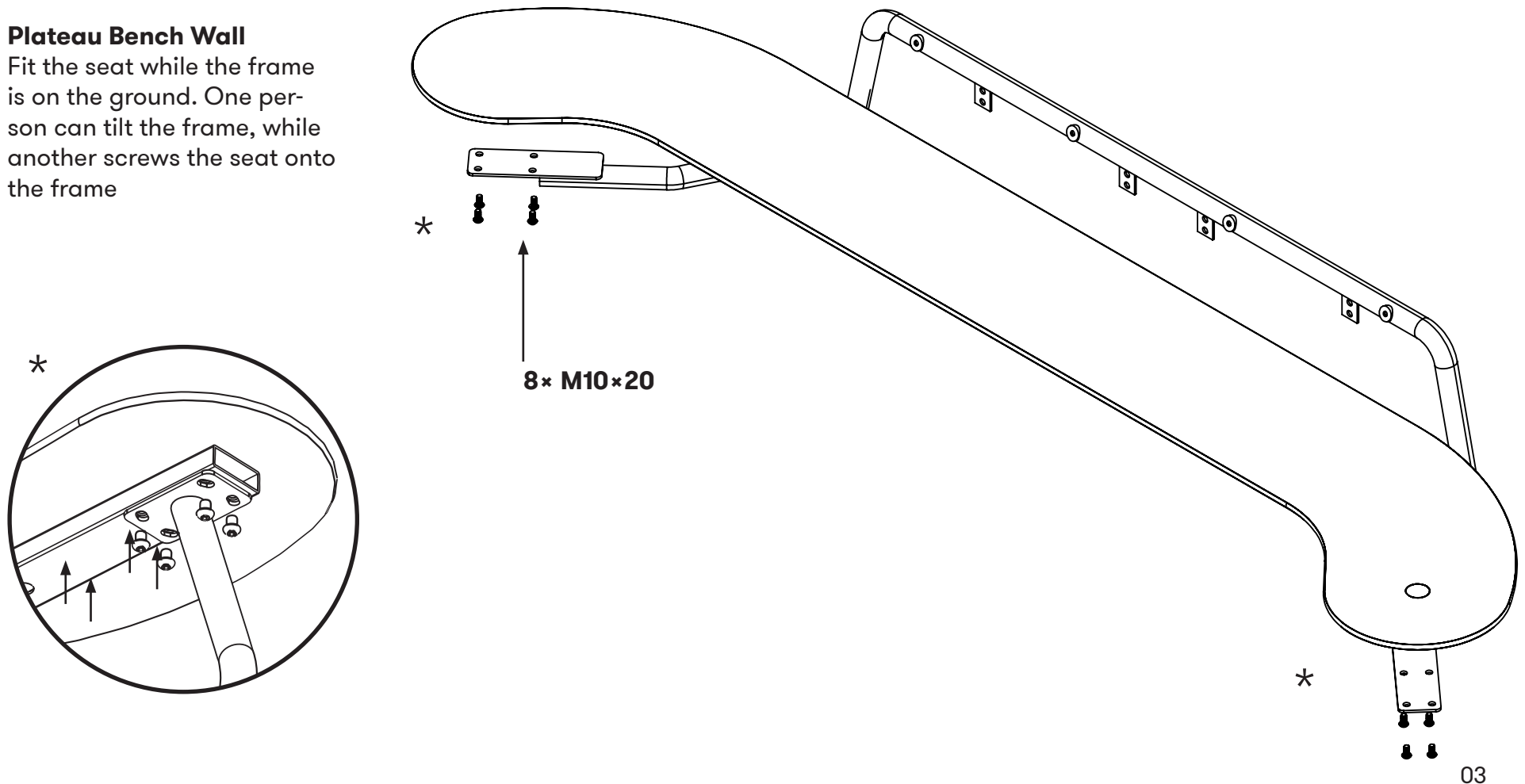
Two or more people are recommended when mounting Plateau Bench Wall

① MOUNTING THE SEAT ONTO THE FRAME

Use the included M10×20 mm allen key screws to mount the seat onto the frame. Fasten the screws with allen key no. 6. Tighten the screws after all of them are fitted.

Plateau Bench Wall

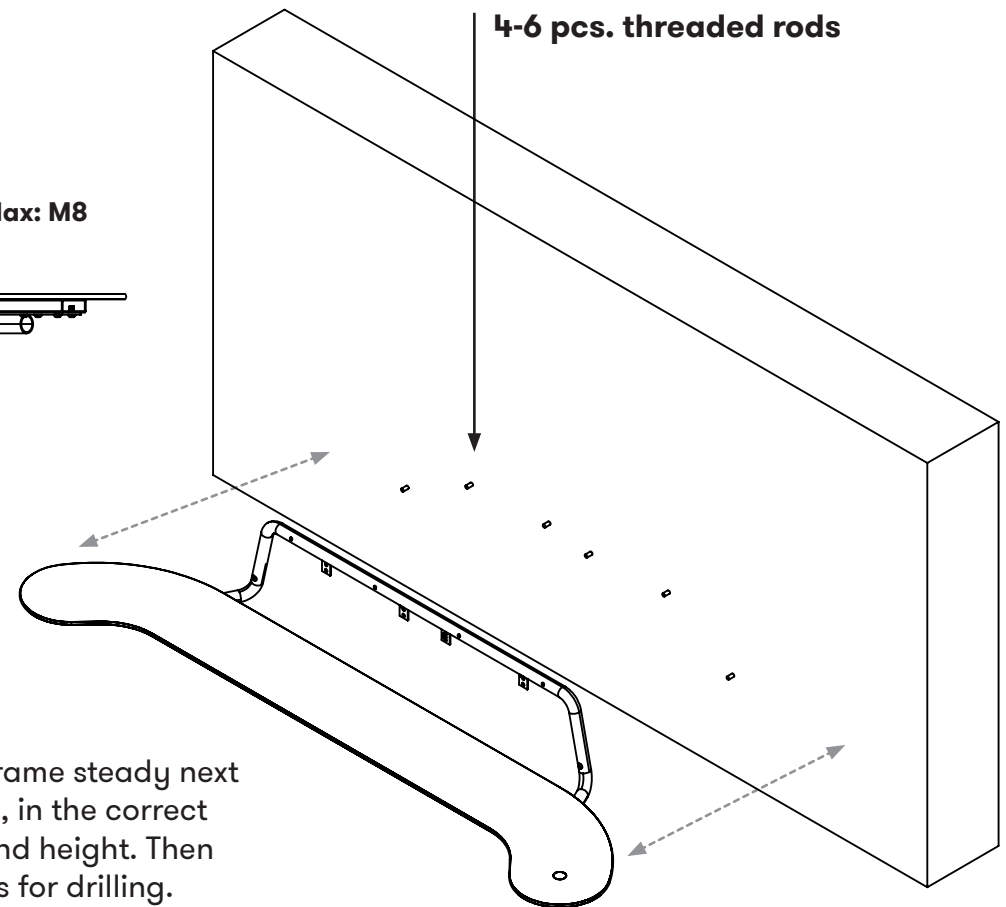
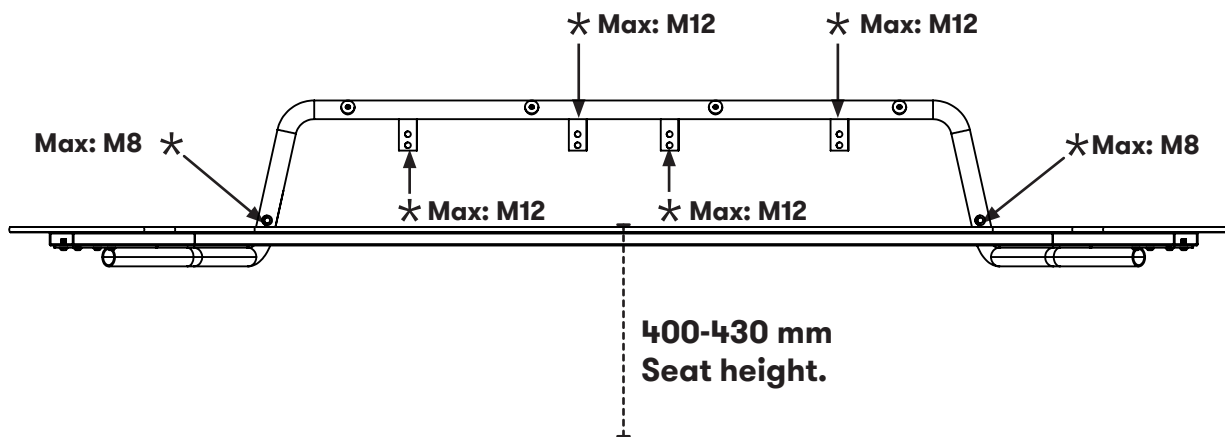
Fit the seat while the frame is on the ground. One person can tilt the frame, while another screws the seat onto the frame



② DRILLING FOR, AND MOUNTING OF THREADED RODS

Use the frame for Bench Wall as a guide and mark spots for drilling on the wall. We recommend alternating between top and bottom holes in the brackets, to achieve more stability. Fit the threaded rods into the wall after drilling. We recommend a seat height of 400-430 mm.

! PLEASE NOTICE: Threaded rods should be able to carry a load of 500 kg.



* Mark the wall through the frame and brackets. alternate between top and bottom hole in the brackets for maximum stability.

! PLEASE NOTICE: For more security, especially in softer materials, use extra threaded rods.

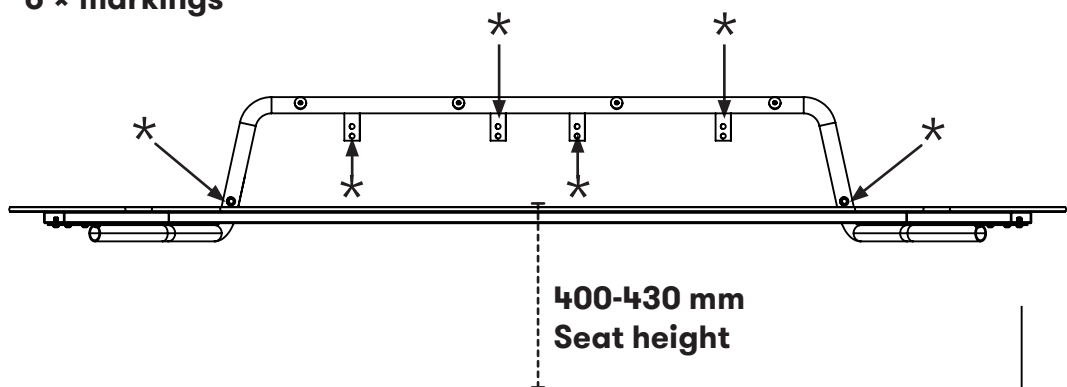
Guide
Hold the frame steady next to the wall, in the correct position and height. Then mark spots for drilling.

② DRILLING FOR, AND MOUNTING OF THREADED RODS

Use the frame for Bench Wall as a guide and mark spots for drilling on the wall. We recommend alternating between top and bottom holes in the brackets, to achieve more stability. Fit the threaded rods into the wall after drilling. We recommend a seat height of 400-430 mm.

! PLEASE NOTICE: Threaded rods should be able to carry a load of 500 kg.

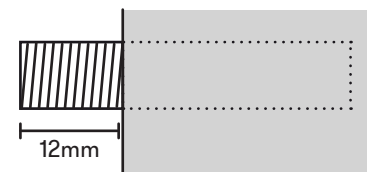
6 x markings



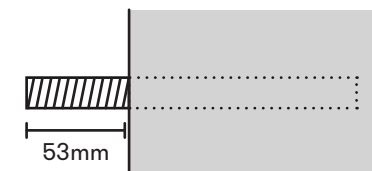
* Mark the wall through the frame and brackets. alternate between top and bottom hole in the brackets for maximum stability.

! PLEASE NOTICE: For more security, especially in softer materials, use extra threaded rods.

4 pcs threaded rods is mounted with 12mm of the rod sticking out of the wall

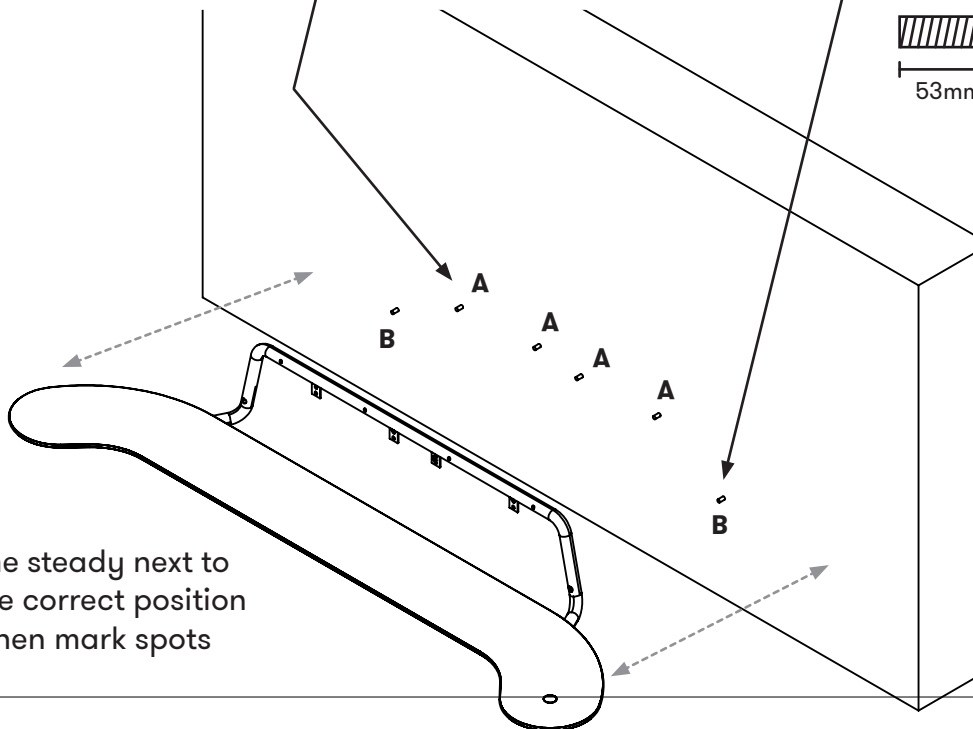


2 pcs threaded rods is mounted with 53 mm of the rod sticking out of the wall



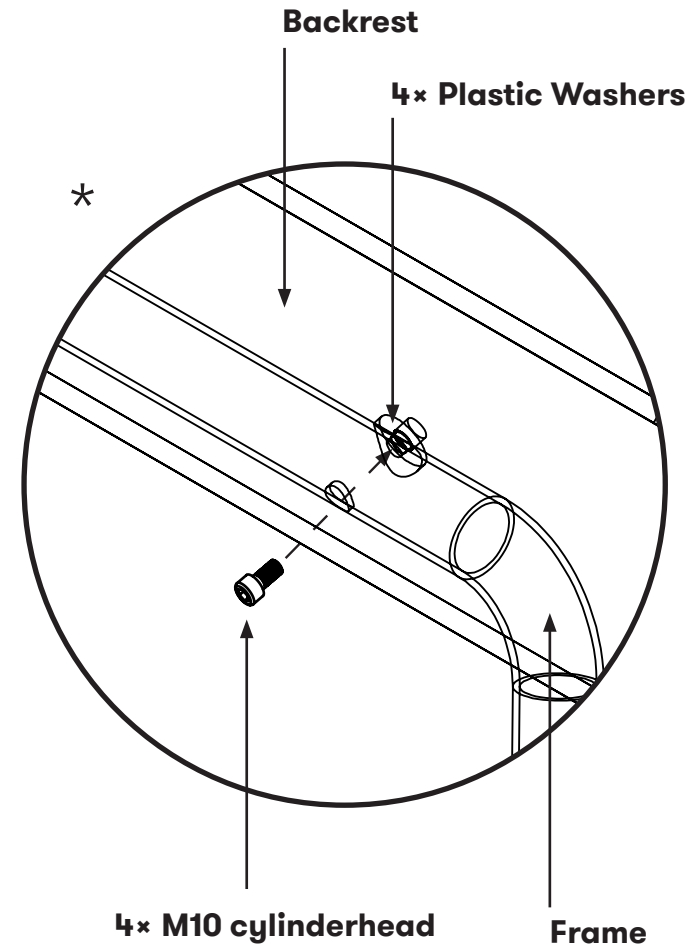
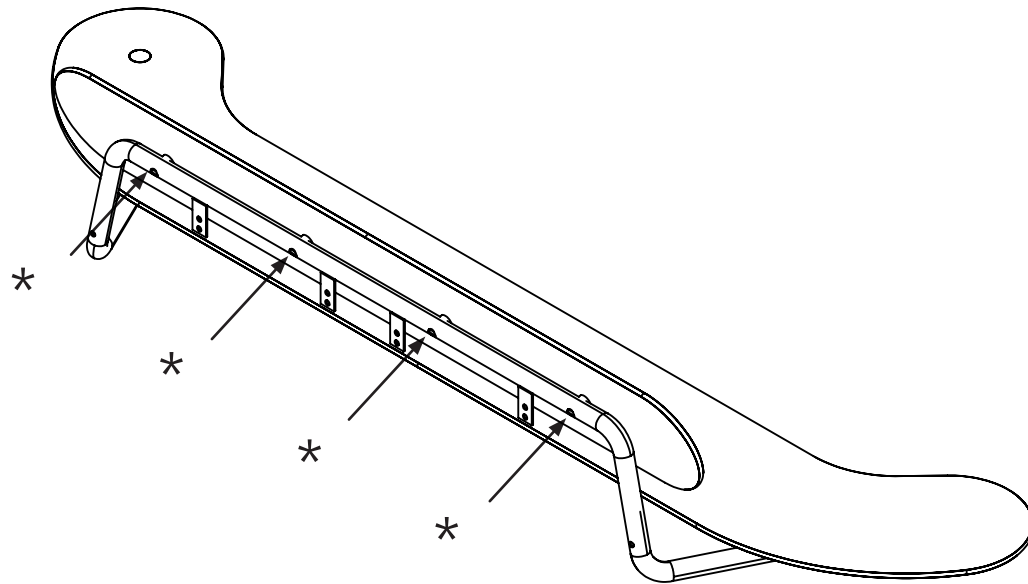
Guide

Hold the frame steady next to the wall, in the correct position and height. Then mark spots for drilling.



③ MOUNTING OF BACKREST ON PLATEAU BENCH WALL

Use the included M10 cylinder head screws and plastic washers to mount the backrest onto the frame. While one person holds the backrest, tighten the M10 screws through the frame and the plastic washer. Remember to fit the plastic washers between the frame and the backrest!



! PLEASE NOTICE

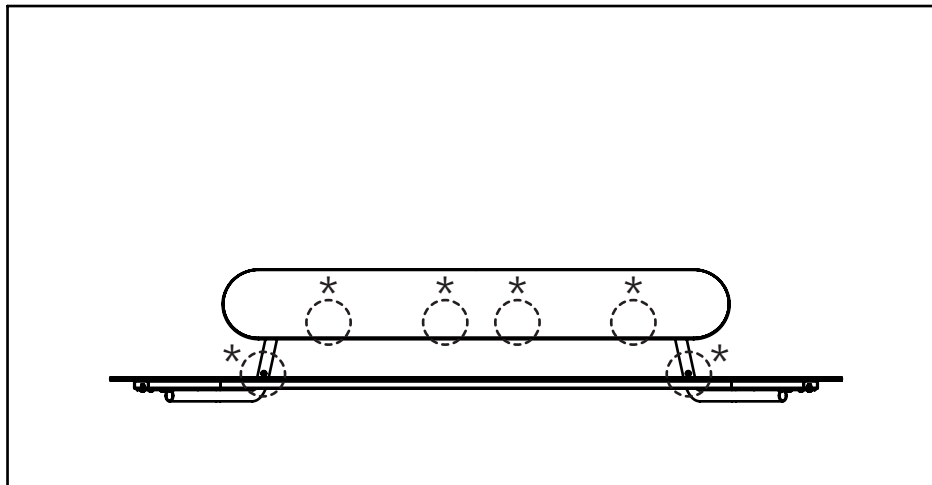
Be careful not to lose the screws inside the frame tube, when fitting the backrest. They can be hard to get out. Use grease on the allen key.

④ FITTING PLATEAU BENCH ONTO THE WALL

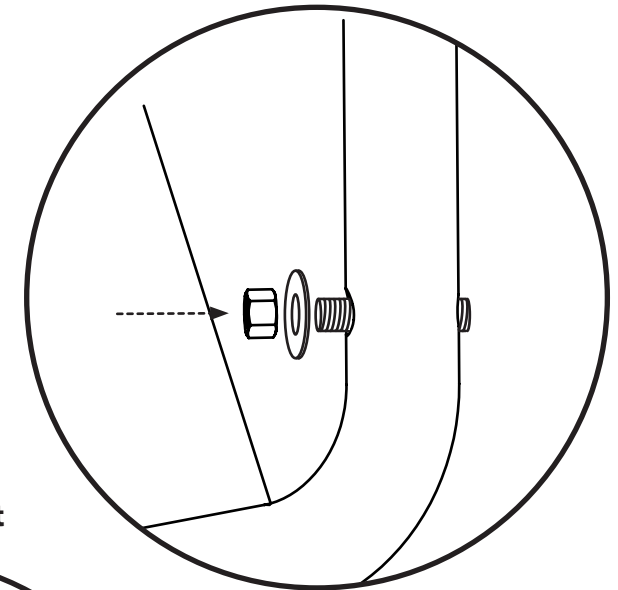
Use appropriate nuts to tighten the assembled Bench Wall to the threaded rods. The bench can rest on the threaded rods while the nuts are fastened.

Notice

Fastening of four nuts is done behind the backrest, and two nuts through the steel frame.

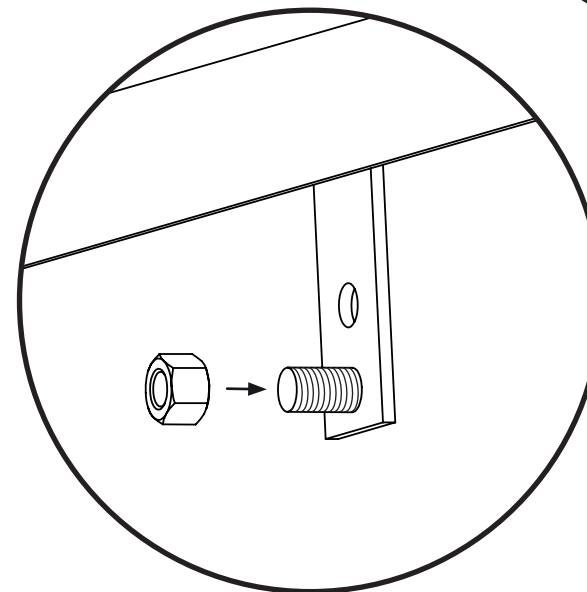


Ⓑ Through the frame



*
6 × nuts
 Use a spanner tool to tighten the nuts, after all has been fitted.
2 × washer is used on the **B** rods.

Ⓐ Behind backrest

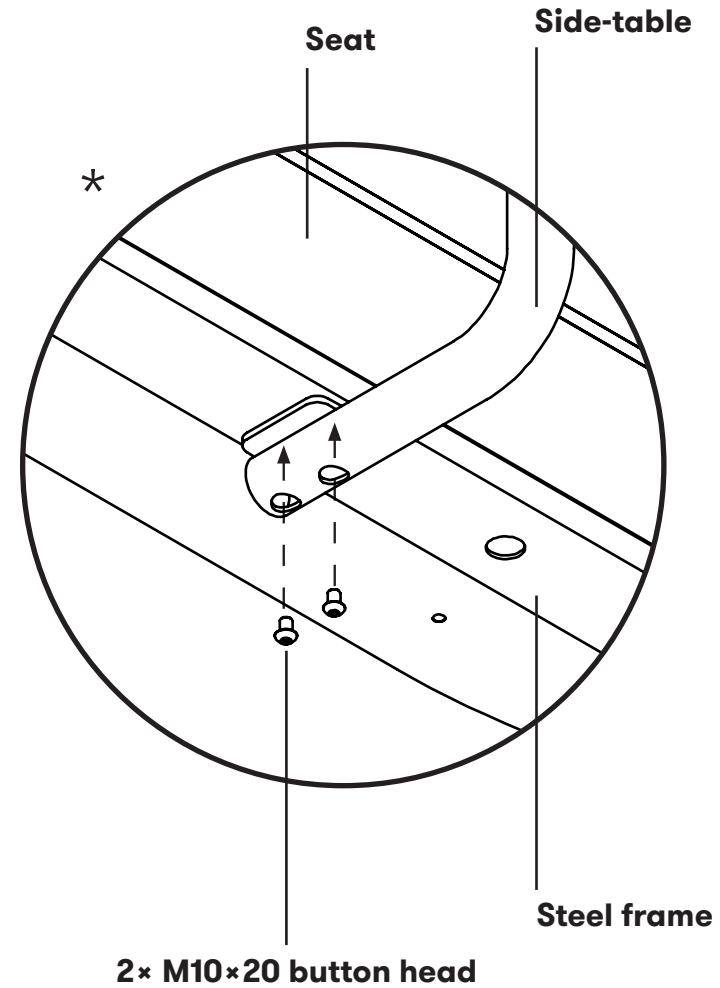
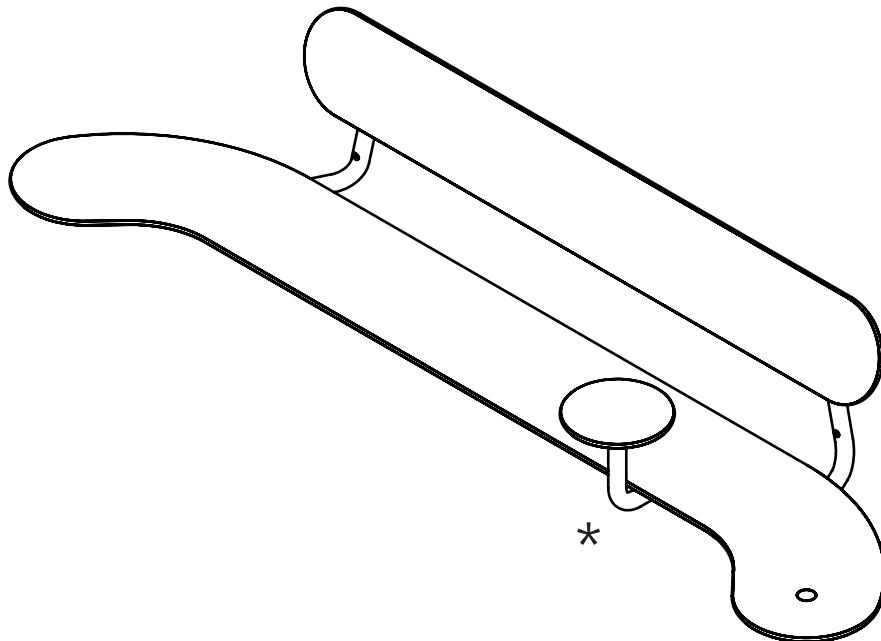


PLATEAU SIDE-TABLE #196

MOUNTING OF SIDE-TABLE ON PLATEU BENCH WALL

Use two M10×20mm button head screws (allen key no.6), to fasten the side-table underneath the steel frame.

Bench Wall + Side-table



CLEANING

Clean the laminate surfaces using hot water and soft sponge or cloth. Do not use abrasive 'green' side of sponges.

Common household cleaners without abrasives eg. dish detergent or window cleaner may be used.

If it's difficult to remove dirt this way, use a nanosponge and water. For more information on the nanosponge, check our website, call or email us.