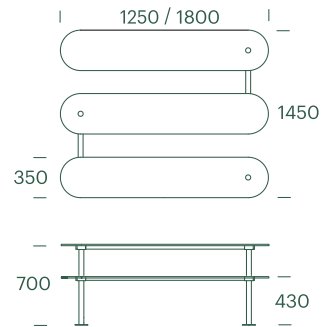


#207

# Plateau Picnic Street

Create space for 6 persons with Plateau Picnic Street - the ideal furniture for modern gatherings and work. Its slim, organic design seamlessly blends in, and the distinctive steel tube frame adds both excitement and simplicity



#207

# Plateau Picnic Street

## Technical data

### Material

Seat / tabletop, 2 lengths 1250 / 1800mm: Robust, multi-layer and colored 12mm compact laminate in 6 colors. Very UV and weather-resistant and solid mechanical quality and durability.

Frame/legs: hot-dip galvanized steel. Disc with logo: Bead blasted stainless steel. Can be delivered with a customer-specified name/logo or other.

### Dimensions

1250mm: 1250L x 1450D x 700H; Seat height 430 (mm).

Seating: 4 seats

1800mm: 1800L x 1450D x 700H; Seat height 430 (mm).

Seating: 6 seats.

### Assembly + fixation

Supplied partially mounted: compact laminate and steel frames are pre-assembled, legs + steel discs are not mounted.

4 x Ø14 mm holes in legs for bolting.

Holes in the flange in 2 legs for bolting (F). Fixation recommended for stability.

### Maintenance

Maintenance-free and easy to clean. Easy graffiti removal.

### Variants

Compact laminate + frame/legs can be supplied as a variant in other colours.

### Family

Picnic O, I, L, Bench, Plinth, Seat, City Chair, Table Round, Picnic Round, Duo.

### Accessories

Point Sun f. Plateau Street.

Solar-powered lighting unit for mounting on a table or seat.

### Design protection

Registered EU community design.

### Product code

207 02## Plateau Picnic Street 1250F.

207 12## Plateau Picnic Street 1800F.

326 Point Sun incl. alubase f Plateau Street.

## Standard farver (Approx. RAL )



#05 Steel blue  
RAL 5024



#18 Olive  
RAL 6013



#22 Cave  
RAL 7043



#23 Corten  
RAL 8011



#25 Terracotta  
RAL 3016



#26 Golden Yellow  
RAL 1018