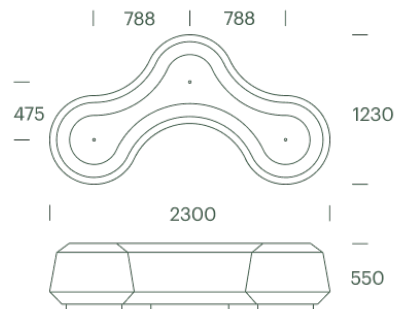


#324

# Obstruct

Obstruct concrete plinths frame streets, squares, and temporary events where there is a need to create security without disfiguring the cityscape. An organic concrete plinth with three contiguous islands, non-directional and set up in formations creates smaller spaces or paths between the products



#324

# Obstruct

## Technical data

### Materials

Molded white/black/grey poured, armoured concrete. Highly durable and weather-resistant.

Concrete is a dynamic material. Minor shrinkage cracks may occur over time.

### Dimensions

2300 x 1230 x 550mm. Seating height 550mm.

### Mounting

Positions directly on the ground. Hollows in the bottom for forklifts and 3 x M16 threads in the top for 3-point lifting. Weight of 1.5 ton eliminates need for mounting. Obstruct can be stacked for transportation.

### Maintenance

Maintenance free. We recommend anti-graffiti coating to ensure easy removal of dirt and tags.

### Variants

Available in white, grey or black concrete – or dyed to client specifications. Extra units may be mounted in the 3 x M16 threads in the top of each unit.

### Accessories

3 x M16 steel eyebolts – stainless or painted red.

### Design protection

Registered EUIPO, design number 004724045-0001.

### Product code

324 0150 Obstruct hvid / 1,5 ton.

900 L110 Steel eyebolt M16, red powder painted.

900 L111 Steel eyebolt M16, stainless steel.

900 L112 Steel eyebolt M16, hot galvanized.

### Standard farver (Approx. RAL)



White (standard color)  
RAL 9003



Grey (variant color)  
RAL 7004



Antracite (variant color)  
RAL 7016